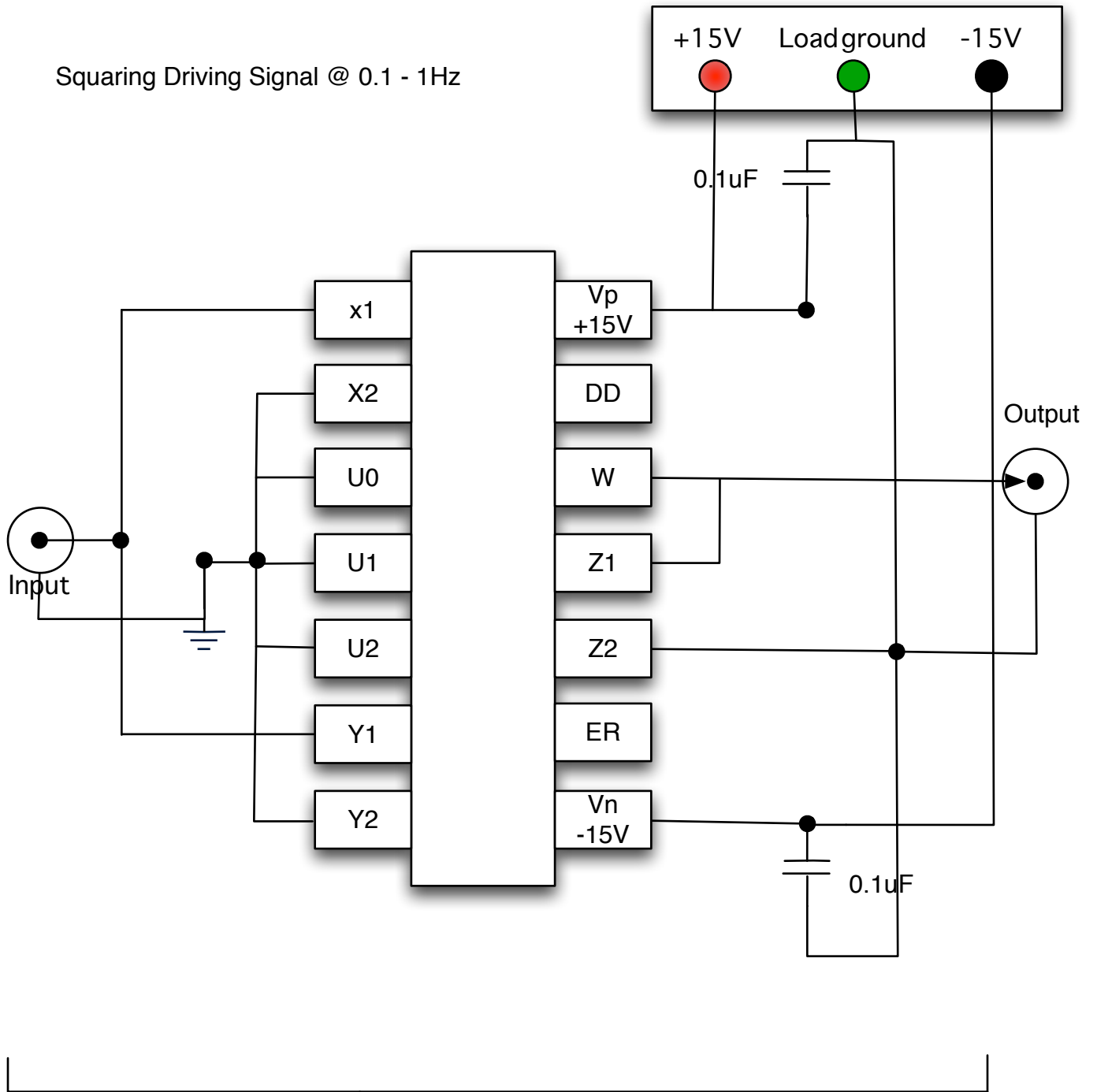


Squaring Driving Signal @ 0.1 - 1Hz

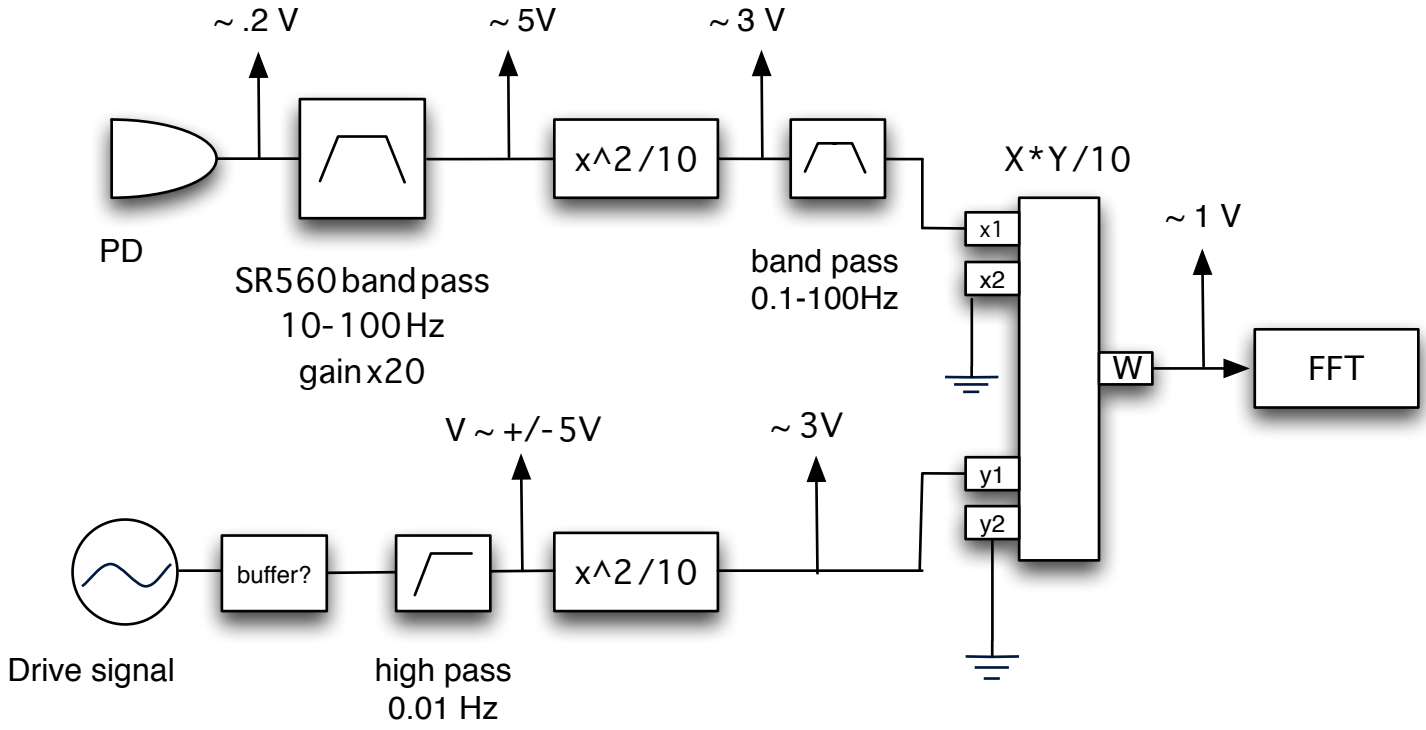


general multiplying circuit, for $f < 1\text{kHz}$

GMC

$$W = (X1 - X2) * (Y1 - Y2) / 10$$

Chopping



The diagram shows approximate level of signals at each stage, for default denominator (10) from AD734