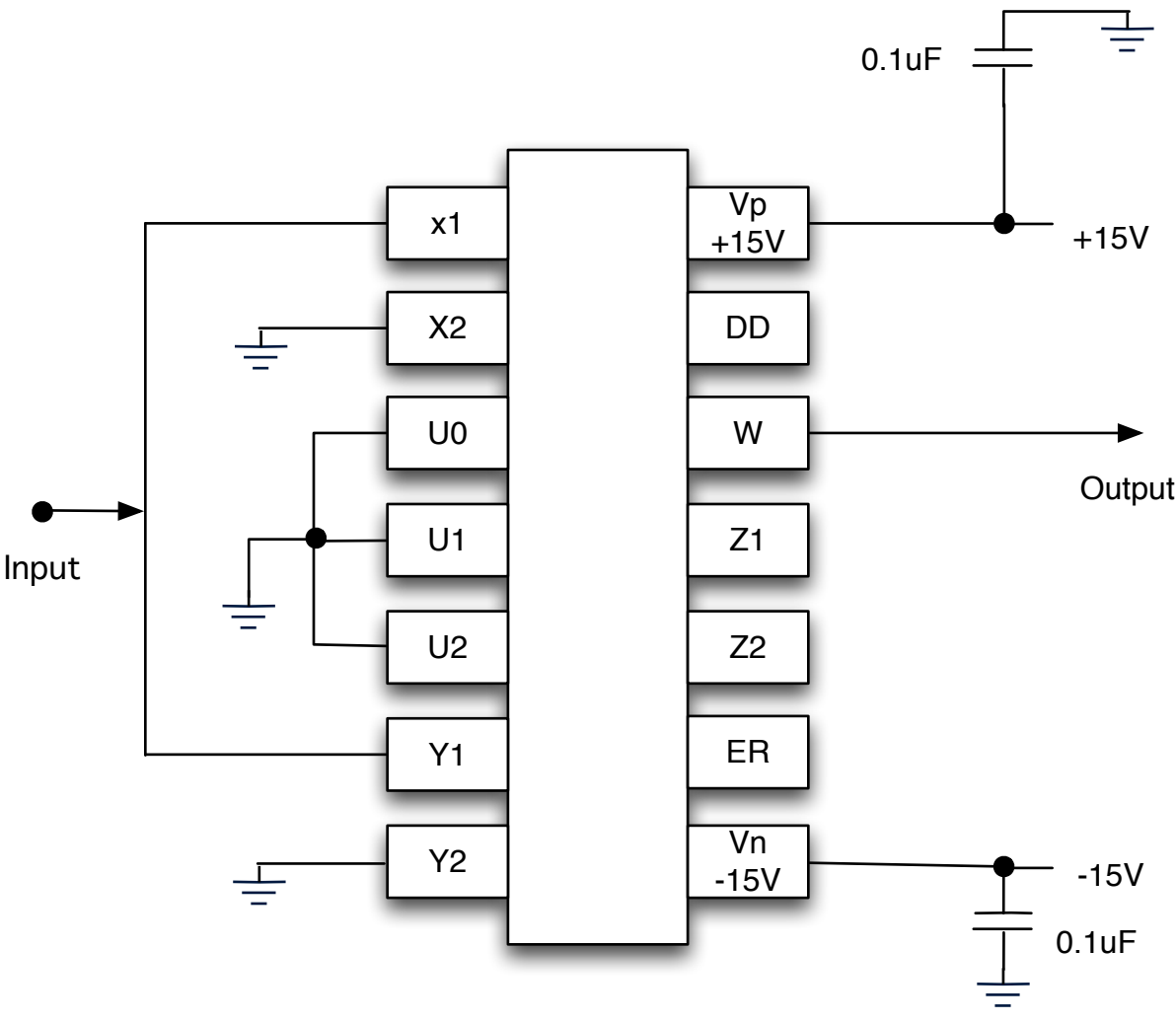


Squaring Driving Signal @ 0.1 - 1Hz



general multiplying circuit, for $f < 1\text{kHz}$

GMC

Chopping

