

6 5 4 3 2 1

D

D

C

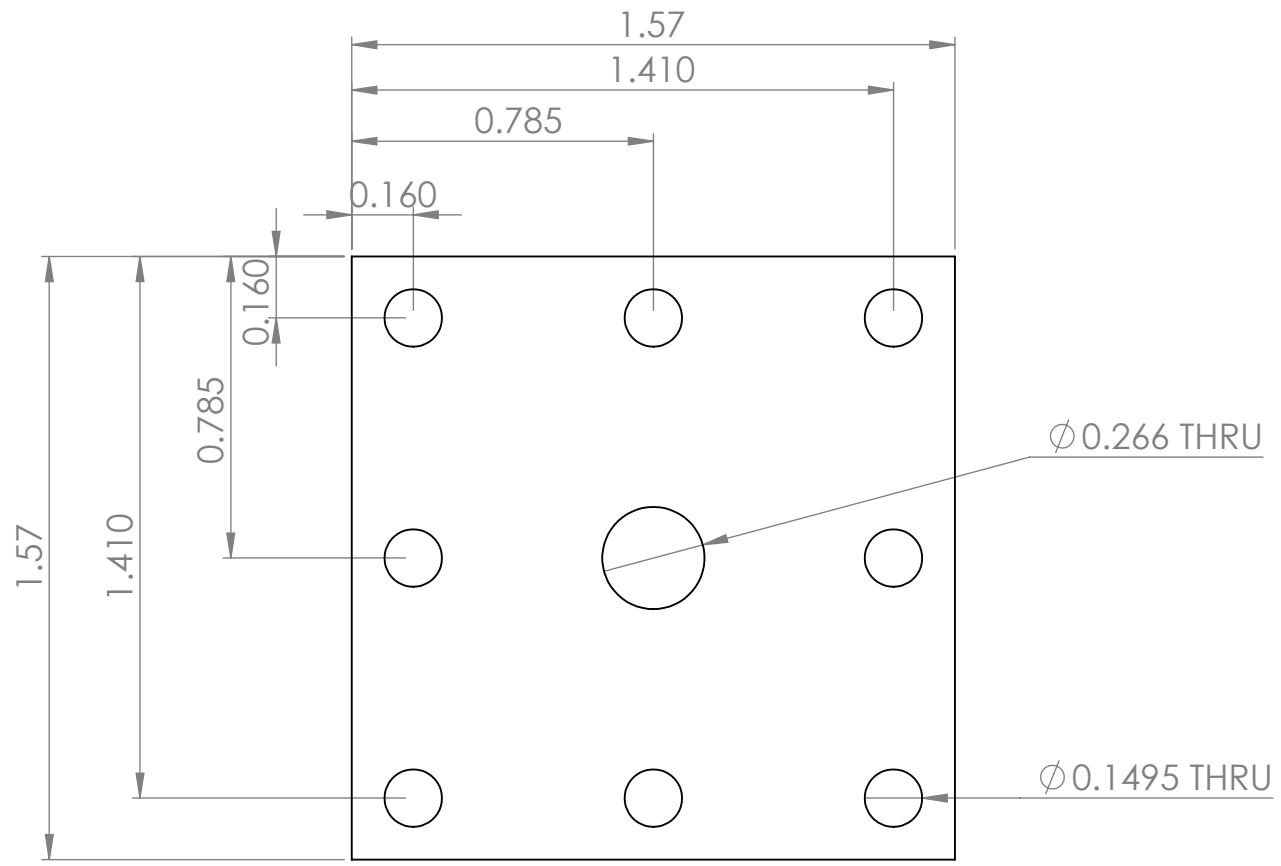
C

B

B

A

A



NOTE: USE H DRILL FOR LARGE HOLE (1/4-20 SCREWS) AND #25 DRILL FOR 8 SMALL HOLES (6-32 SCREWS)

THICKNESS OF PLATE: 1/8"

UNLESS OTHERWISE SPECIFIED: DIMENSIONS ARE IN MILLIMETERS			FINISH:		DEBURR AND BREAK SHARP EDGES		DO NOT SCALE DRAWING		REVISION	
SURFACE FINISH:										
TOLERANCES:										
LINEAR:										
ANGULAR:										
			NAME		SIGNATURE		DATE		TITLE:	
DRAWN			Stephanie Moon				6/12/15		WIRE PLATE	
CHK'D										
APPV'D										
MFG										
Q.A										
					MATERIAL:		DWG. NO.		A4	
					STEEL					
					WEIGHT:		SCALE:2:1		SHEET 1 OF 1	

6 5 4 3 2 1