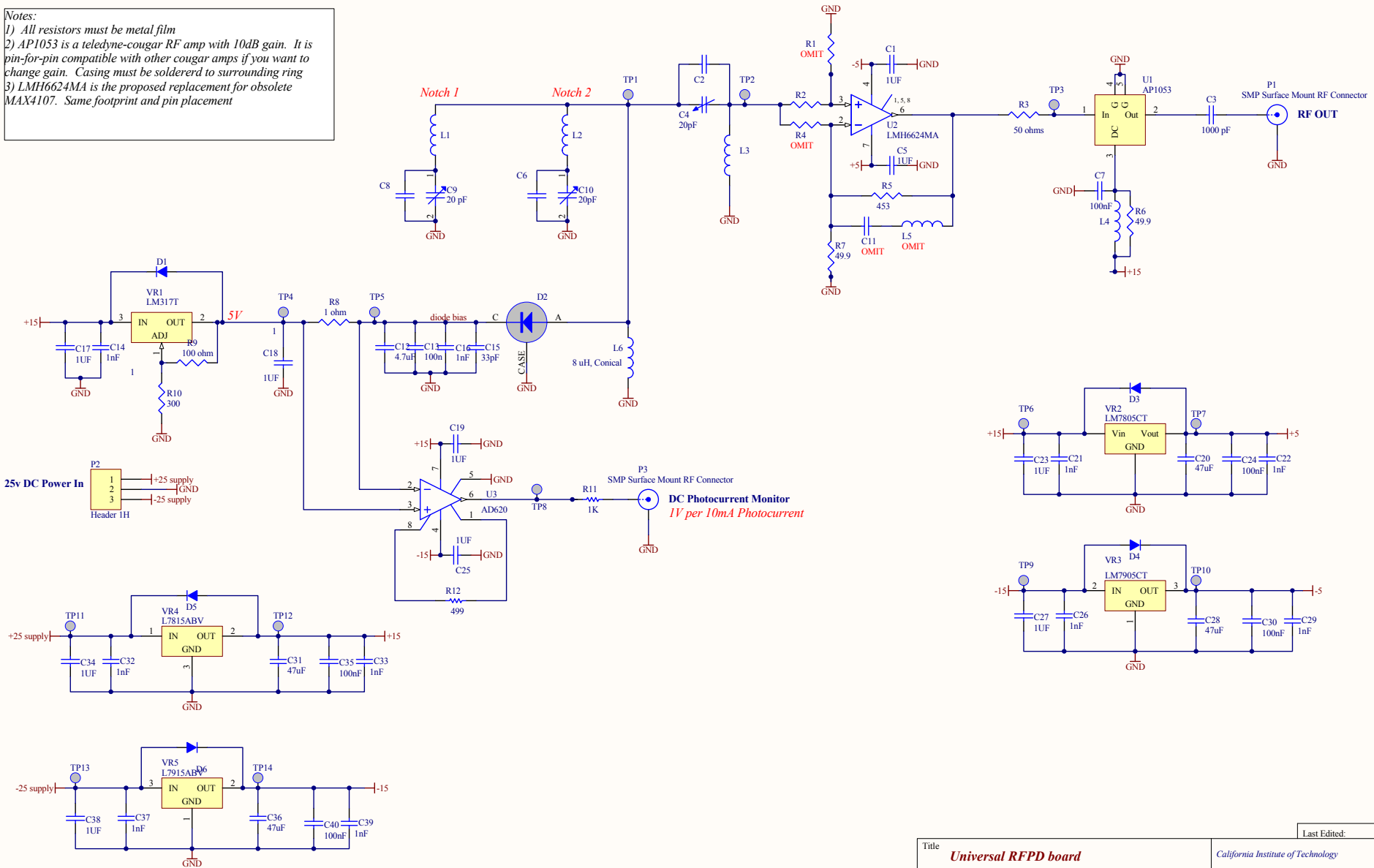


Notes:
 1) All resistors must be metal film
 2) AP1053 is a teledyne-cougar RF amp with 10dB gain. It is pin-for-pin compatible with other cougar amps if you want to change gain. Casing must be soldered to surrounding ring
 3) LMH6624MA is the proposed replacement for obsolete MAX4107. Same footprint and pin placement



Title		Last Edited: 15th December 2010	
Universal RFPD board		California Institute of Technology LIGO	
Size: B	DCC Number: none yet	Revision: v1	Engineer: Heptonstall, Korth
File: Z:\AdvLIGO RFPD\RFPD 24.5MHz.SchDoc		Date: 1/8/2011	Time: 7:47:00 PM
		Sheet 1 of 1	