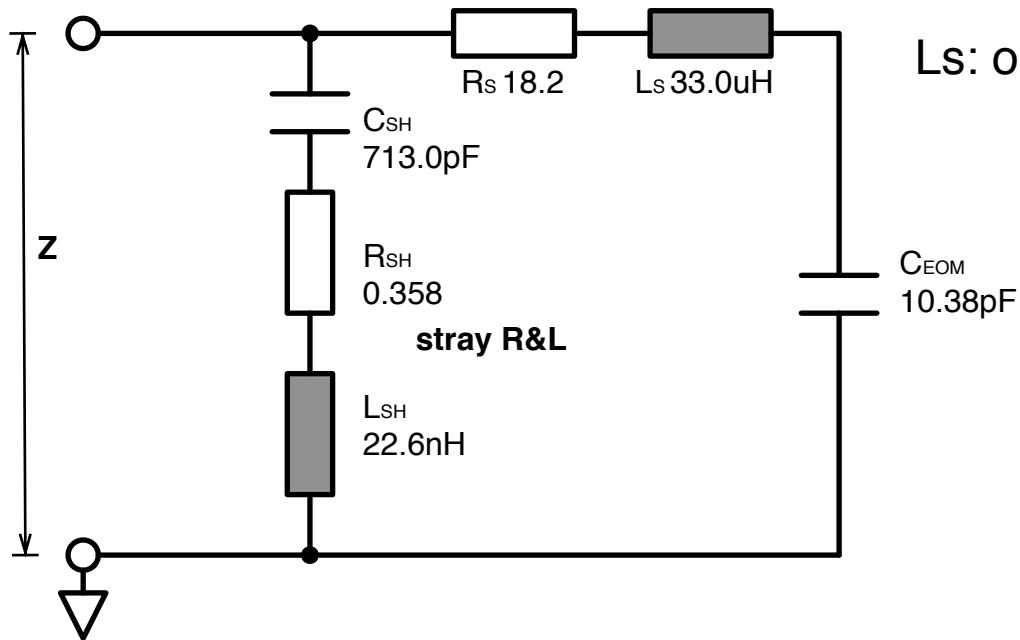
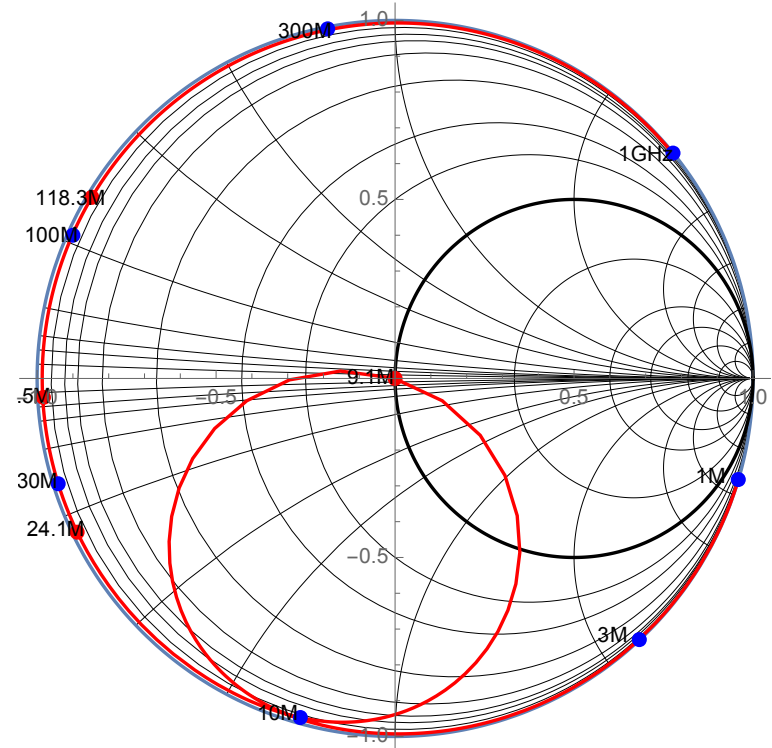
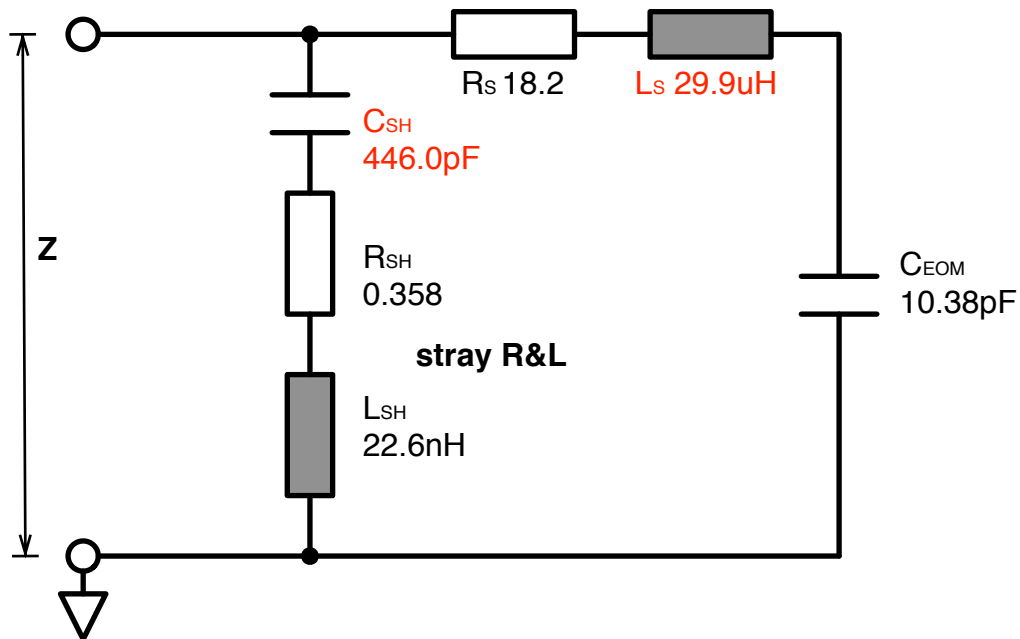


3IFO 8.7MHz EOM empirical model

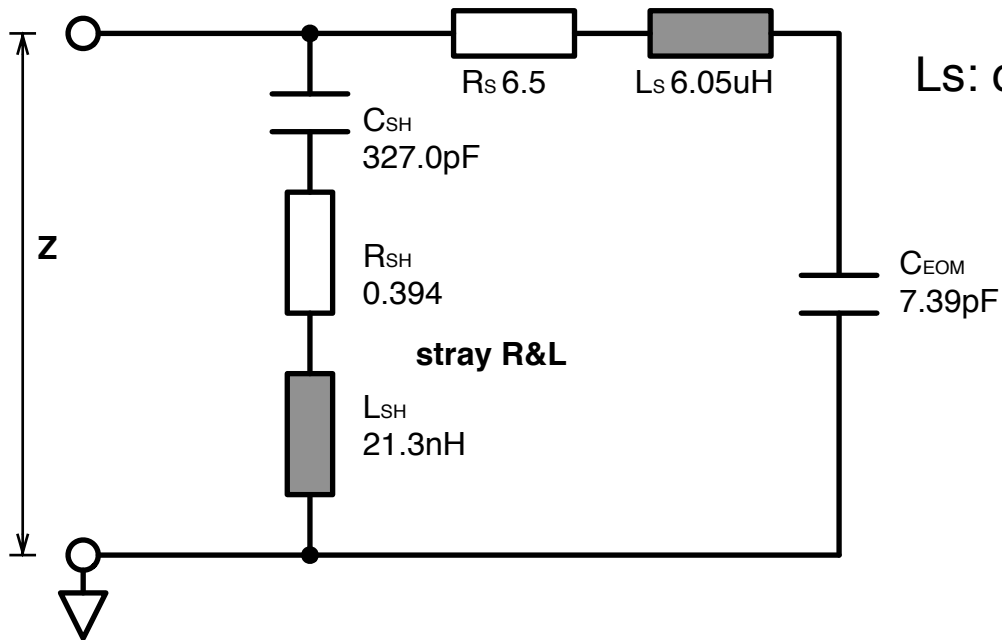


L_s : obtained from the coil model

Modification: 9.1MHz EOM

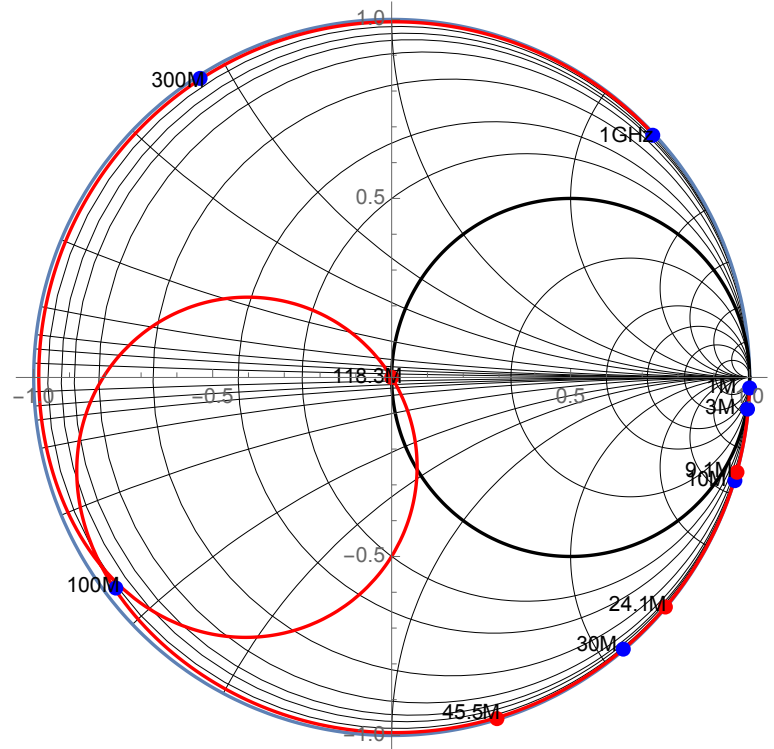
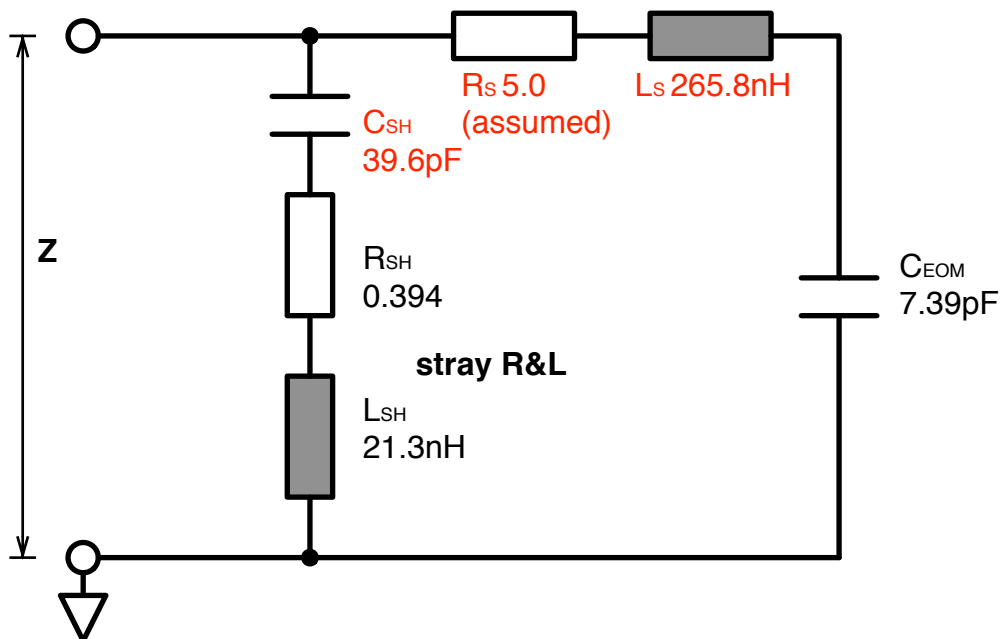


3IFO 24.3MHz EOM empirical model

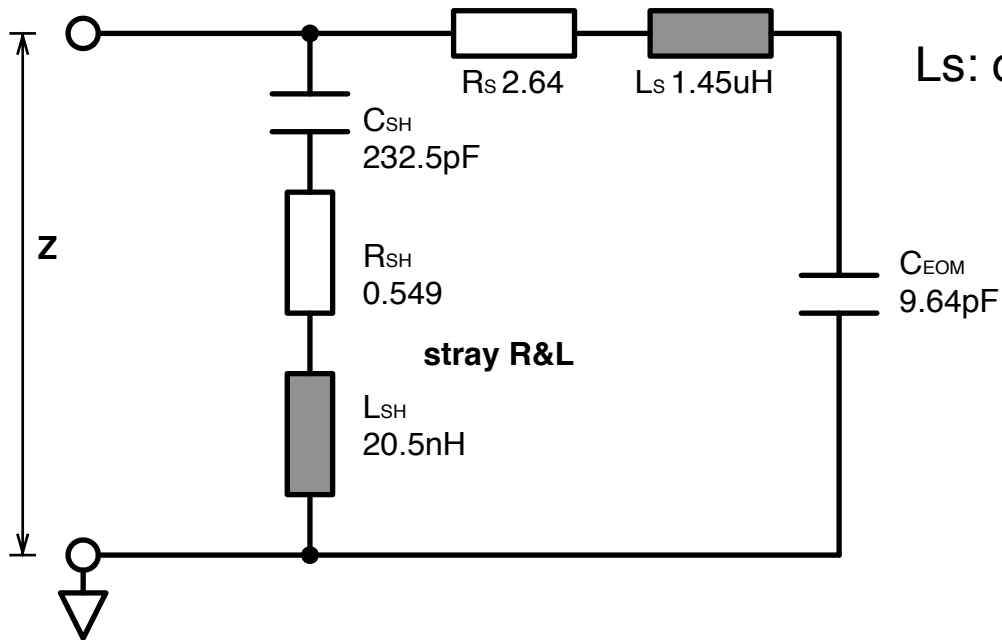


L_s : obtained from the coil model

Modification: 118.3MHz EOM



3IFO 43.5MHz EOM empirical model



L_s : obtained from the coil model

Modification: 45.5MHz + 24.1MHz EOM

