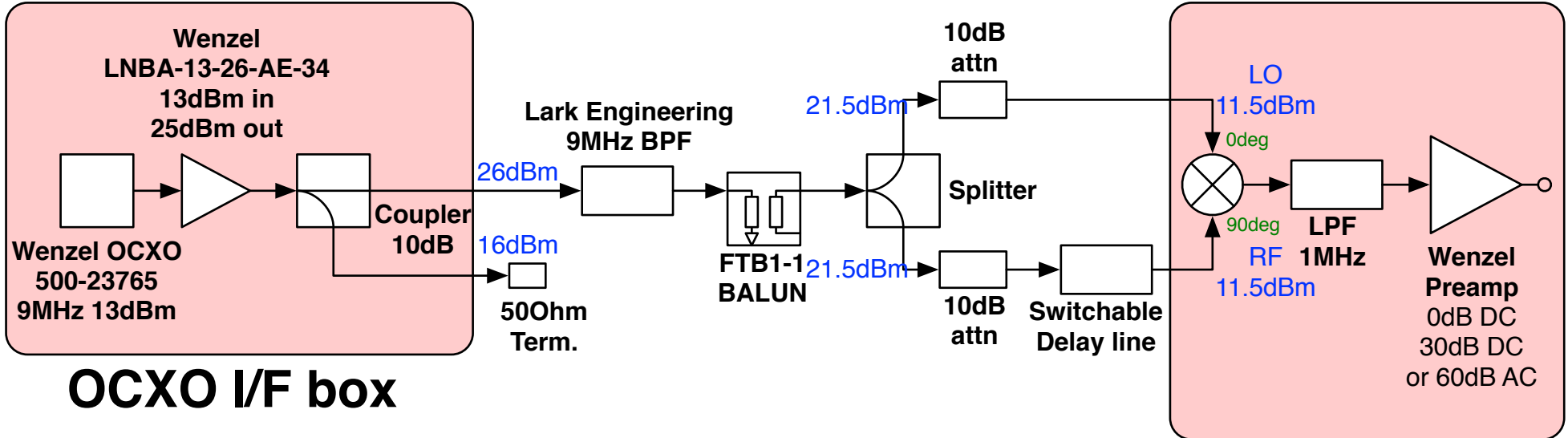


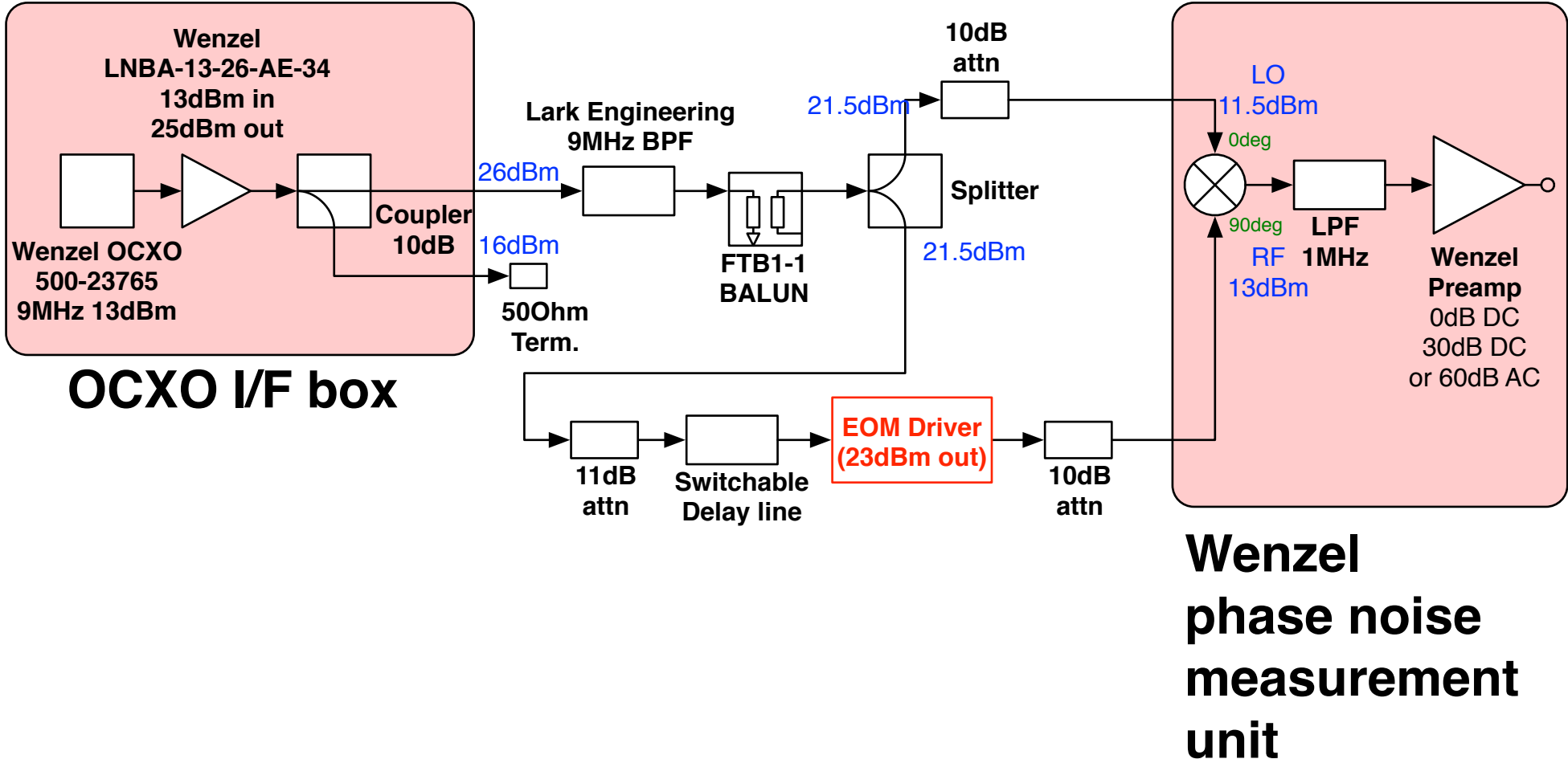
Background noise measurement



OCXO I/F box

**Wenzel
phase noise
measurement
unit**

EOM driver phase noise measurement 1



EOM driver phase noise measurement 2

