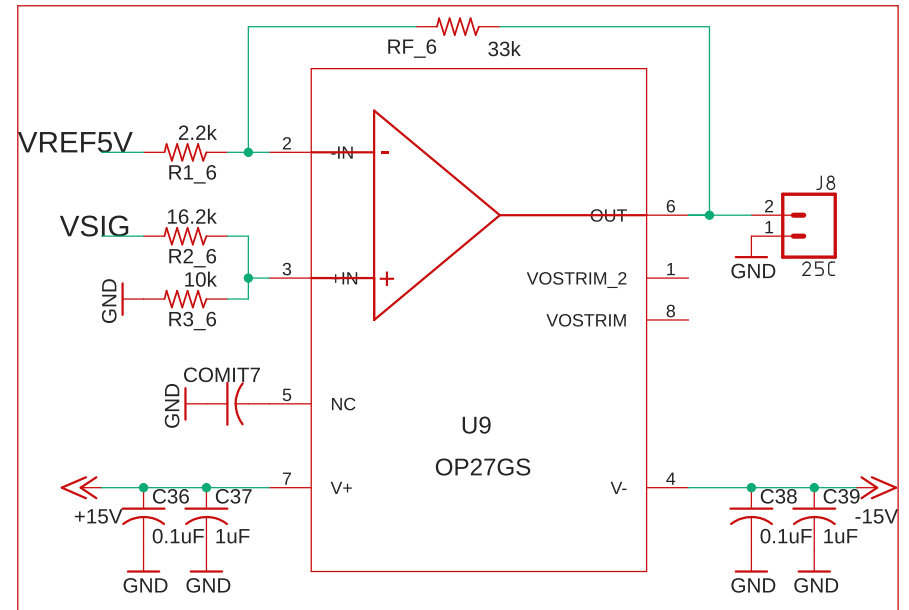
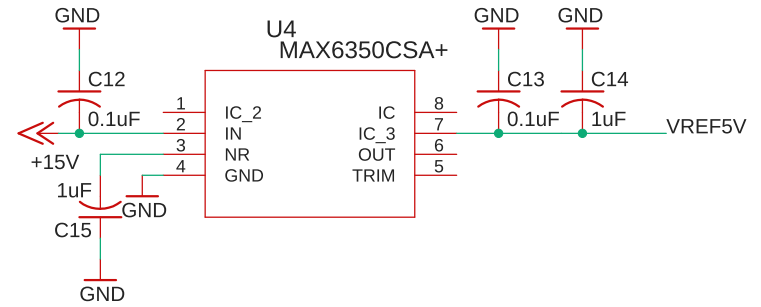
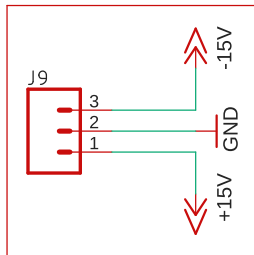
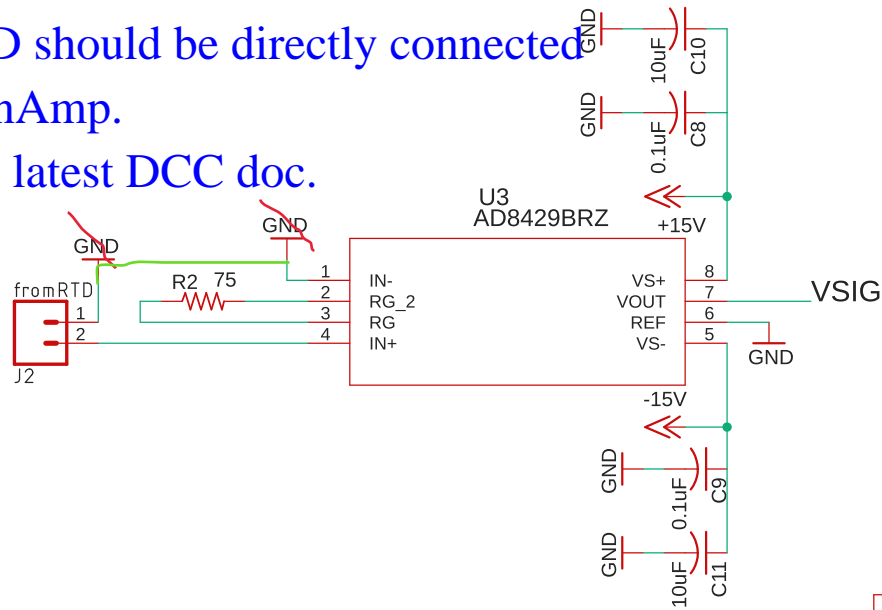


There is an error in this schematic.
 RTD should be directly connected
 to InAmp.
 Use latest DCC doc.



Low Resolution
 Acromag Channel

