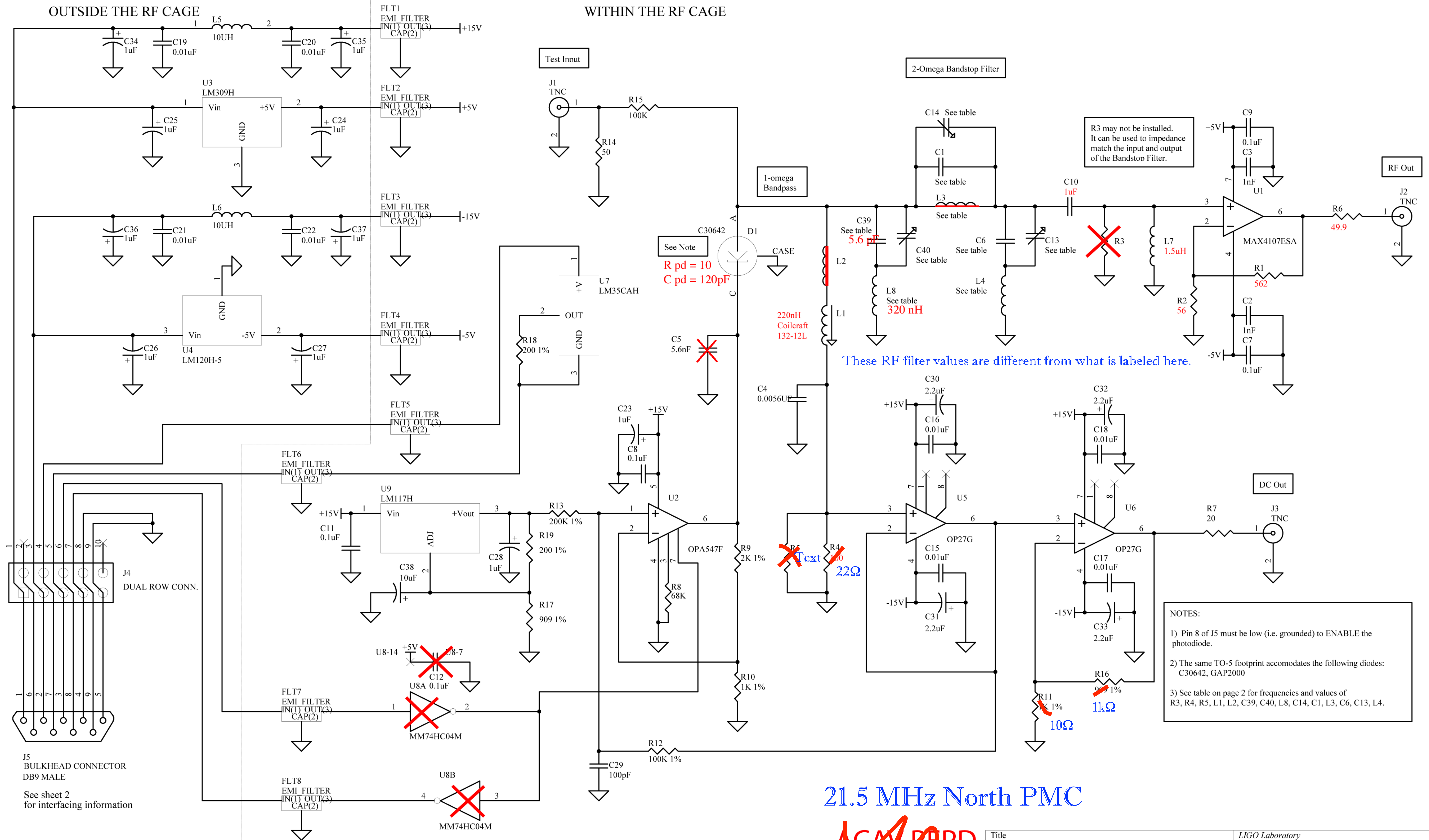


OUTSIDE THE RF CAGE

WITHIN THE RF CAGE



R3 may not be installed. It can be used to impedance match the input and output of the Bandstop Filter.

See Note
 $R_{pd} = 10$
 $C_{pd} = 120pF$

These RF filter values are different from what is labeled here.

~~Text~~ 22Ω

- NOTES:
- 1) Pin 8 of J5 must be low (i.e. grounded) to ENABLE the photodiode.
 - 2) The same TO-5 footprint accommodates the following diodes: C30642, GAP2000
 - 3) See table on page 2 for frequencies and values of R3, R4, R5, L1, L2, C39, C40, L8, C14, C1, L3, C6, C13, L4.

21.5 MHz North PMC

ACAP RPPD
 35.5 MHz

J5 BULKHEAD CONNECTOR DB9 MALE
 See sheet 2 for interfacing information