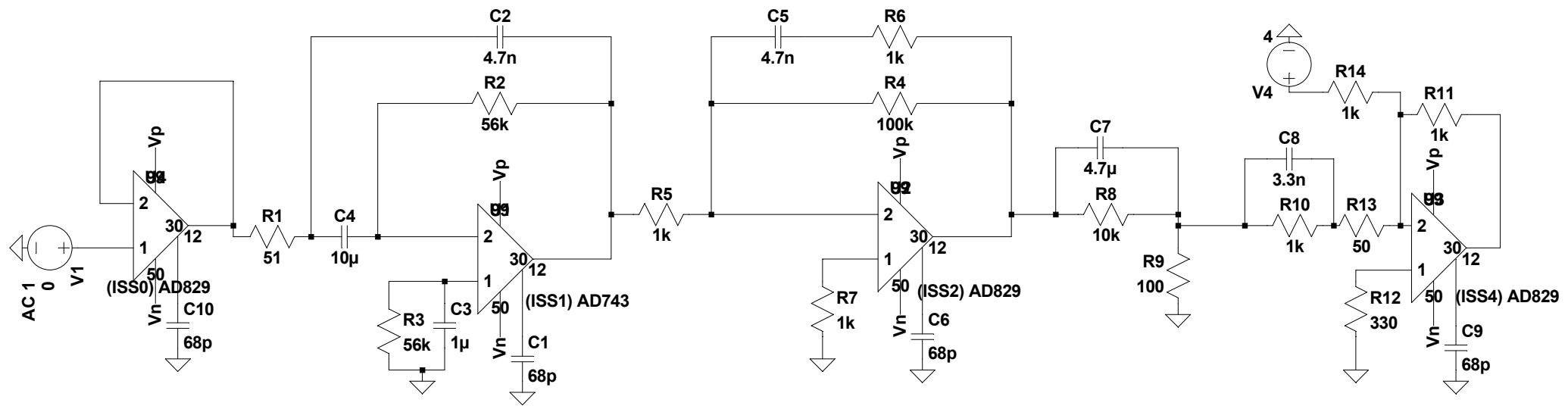
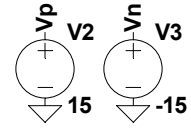


```

.Include C:\Program Files\LTC\LTspiceXVII\lib\sub\richlib.lib
.ac dec 100 .01 1000e6
;noise V(lout) V1 oct 400 1 100k
;op
;dc V1 1 10 1
;tran 1e-4

```



Stage 0 Unity Gain Buffer

Stage 1 IGMF

Stage 2 Low Freq Boost

Stage 3 High Freq Boost

Stage 4 Cavity Pole Neutralizer
And Offset Addition