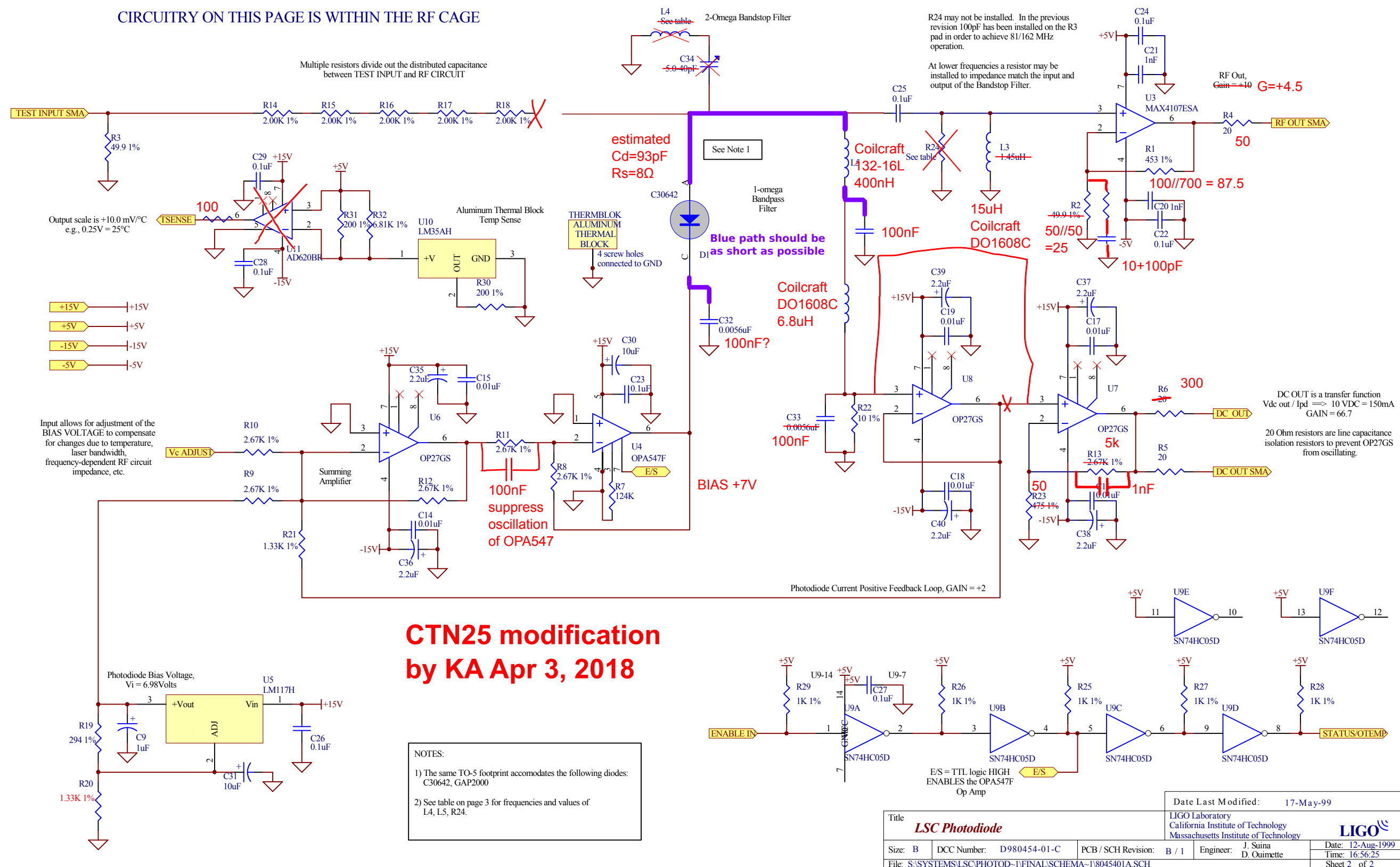


CIRCUITRY ON THIS PAGE IS WITHIN THE RF CAGE



CTN25 modification by KA Apr 3, 2018

- NOTES:
- 1) The same TO-5 footprint accommodates the following diodes: C30642, GAP2000
 - 2) See table on page 3 for frequencies and values of L4, L5, R24.

Title		Date Last Modified: 17-May-99	
LSC Photodiode		LIGO Laboratory California Institute of Technology Massachusetts Institute of Technology	
Size: B	DCC Number: D980454-01-C	PCB / SCH Revision: B / 1	Engineer: J. Suina D. Ouimette
File: S:\SYSTEMS\LSCPHOTOD-1\FINAL\SCHEMA-1\8045401A.SCH		Date: 12-Aug-1999	Time: 16:56:25
		Sheet 2 of 2	