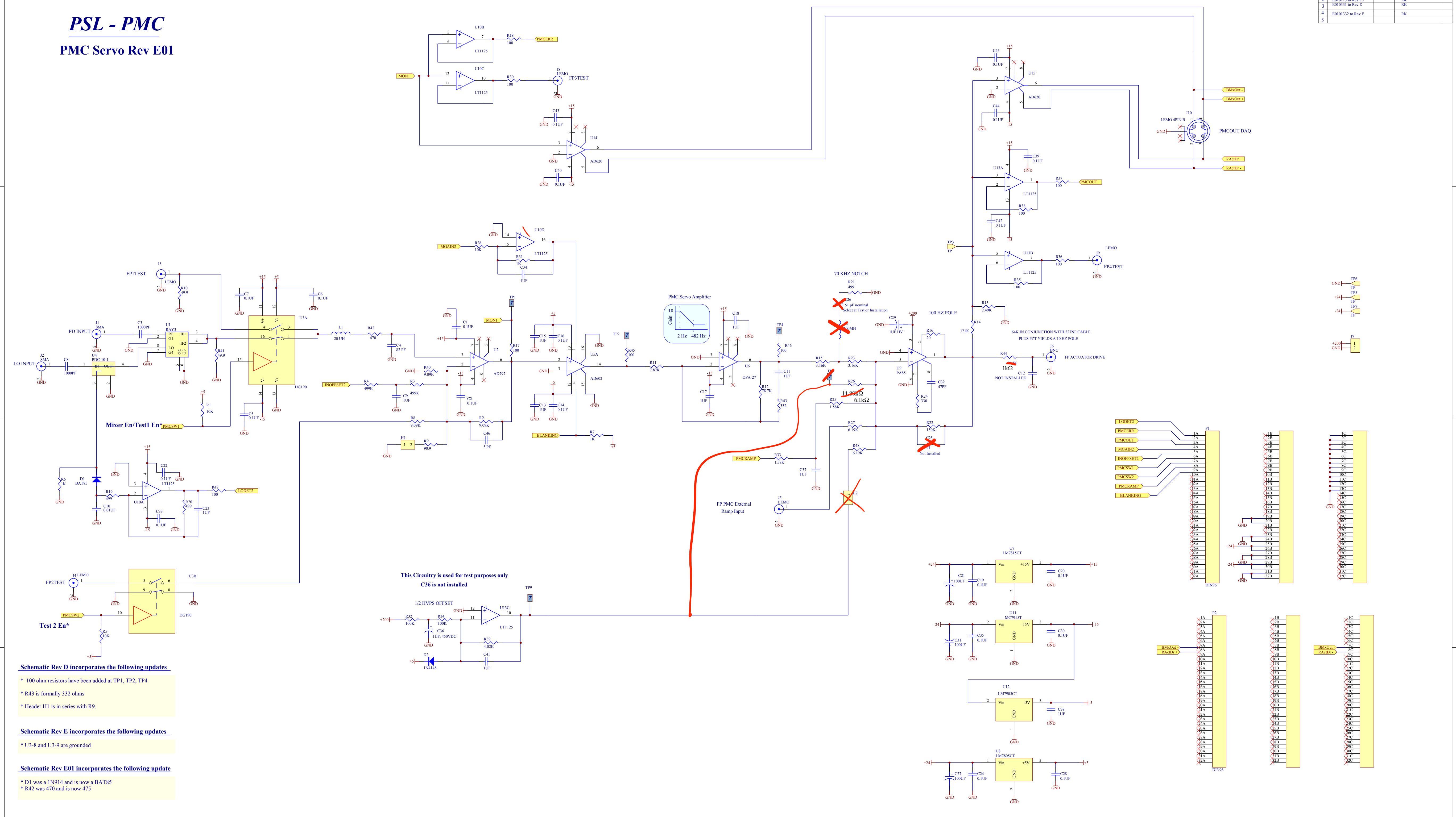


# PSL - PMC

## PMC Servo Rev E01

Engineering Change Order History		
ECO number	Date	Originator
1	E010166 to Rev C	RR
2	E010223 to Rev C1	RR
3	E010331 to Rev D	RR
4	E010332 to Rev E	RR
5		



**Schematic Rev D incorporates the following updates**

- \* 100 ohm resistors have been added at TP1, TP2, TP4
- \* R43 is formally 332 ohms
- \* Header H1 is in series with R9.

**Schematic Rev E incorporates the following updates**

- \* U3-8 and U3-9 are grounded

**Schematic Rev E01 incorporates the following update**

- \* D1 was a 1N914 and is now a BAT85
- \* R42 was 470 and is now 475

REV	DATE	DRAWN BY	CHECKED BY	DCC	DCN / DESCRIPTION
E01	Jan 23 02				E020170