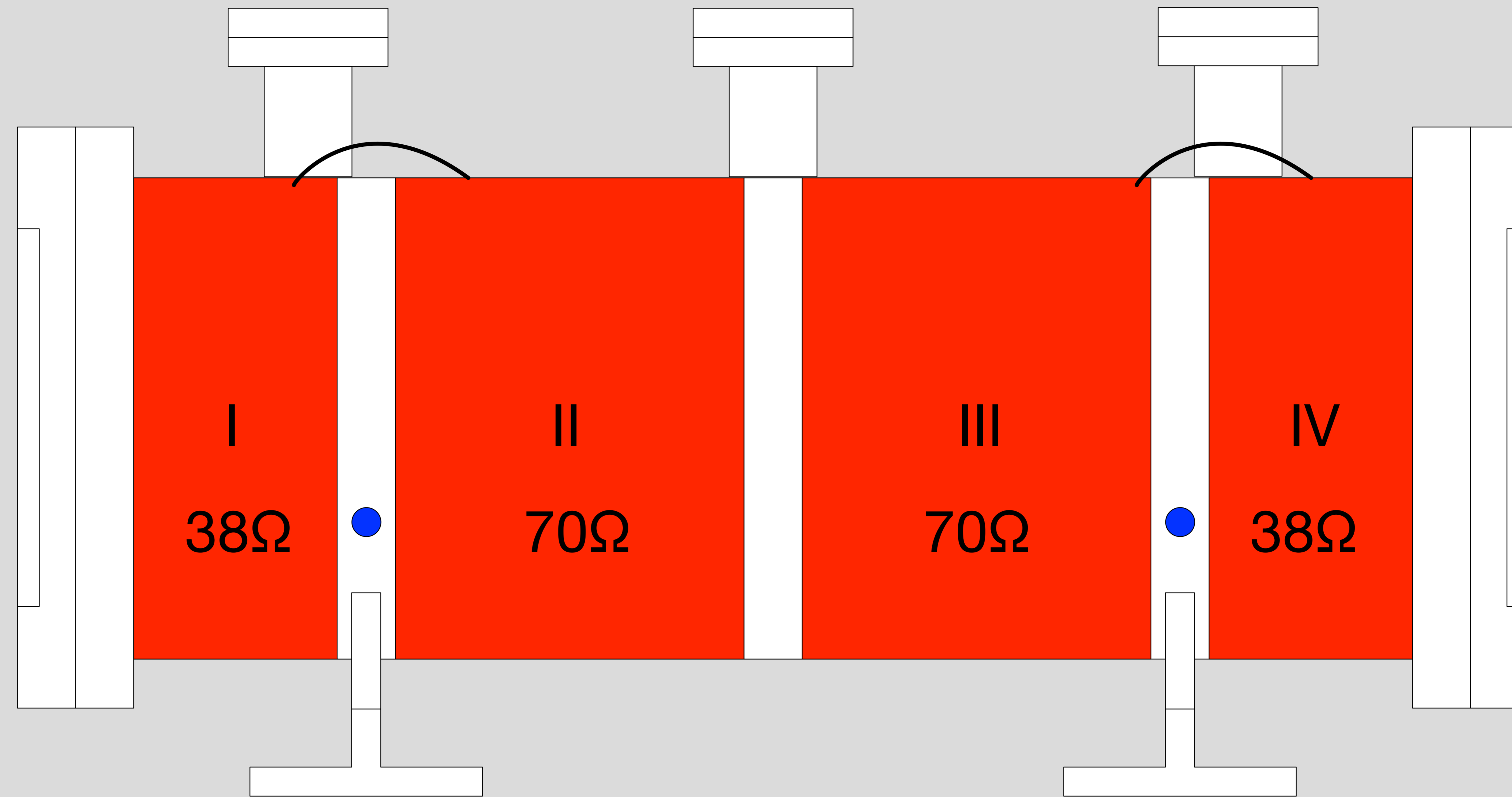
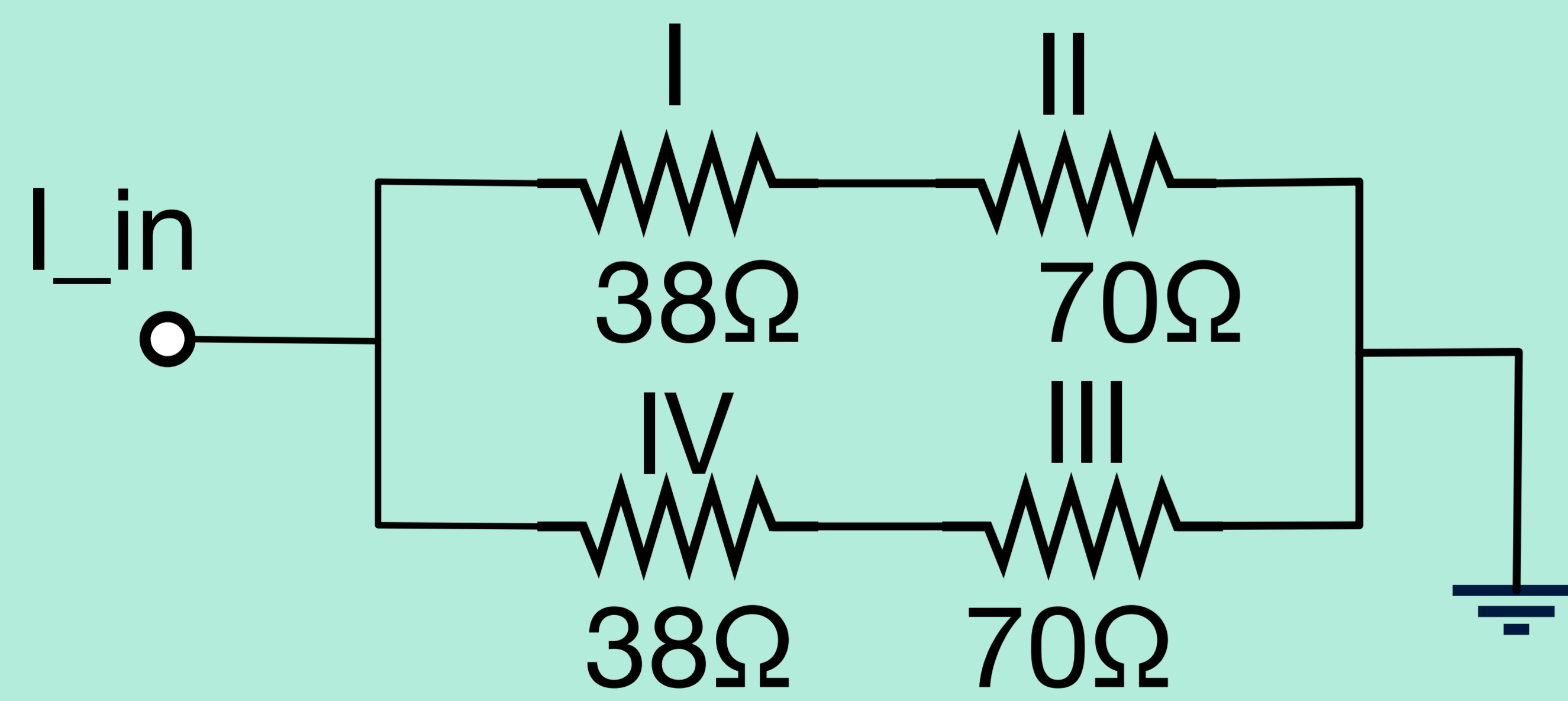


VACUUM CAN HEATER CONFIGURATIONS

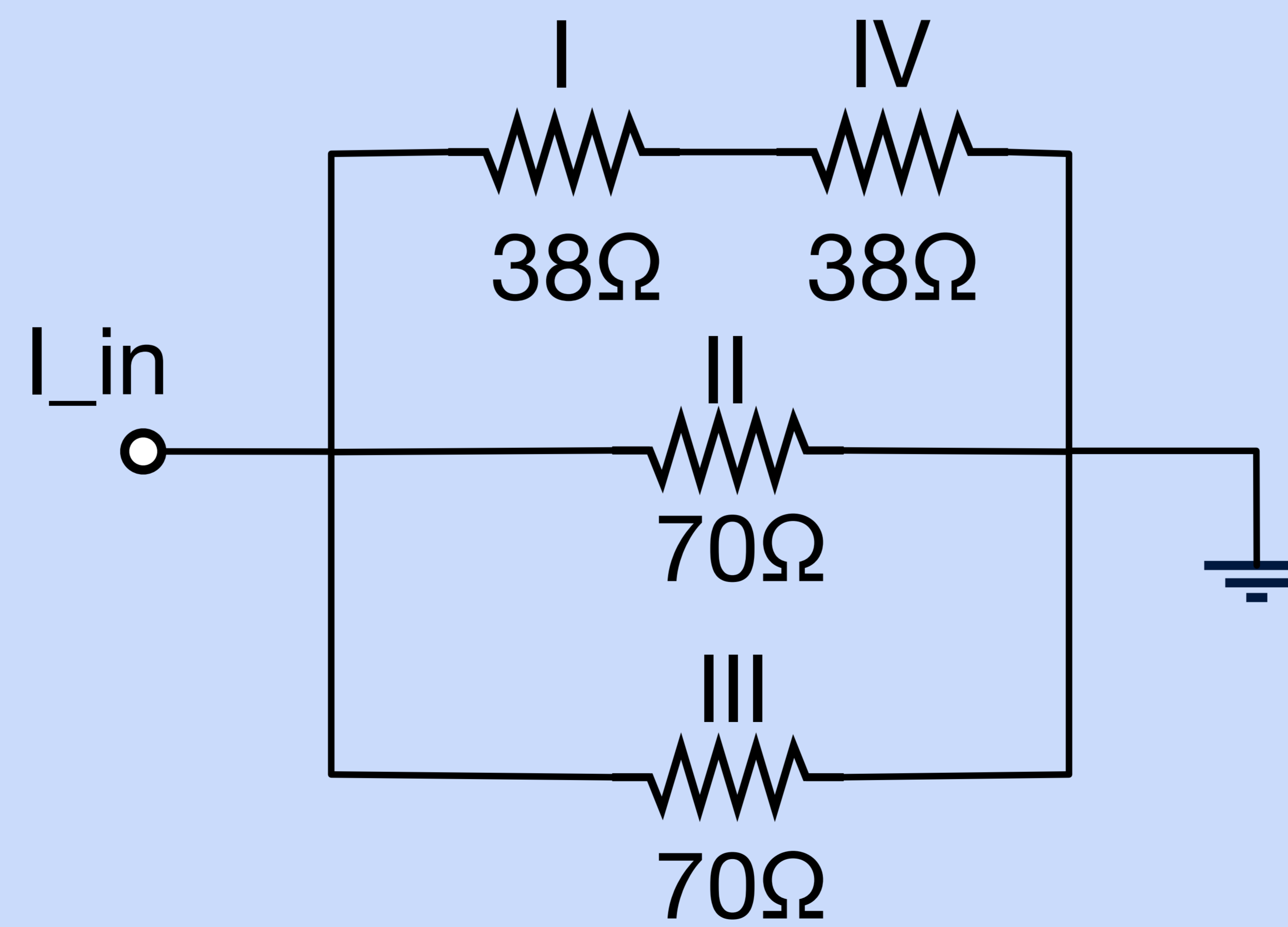


CONFIGURATION A
(ORIGINAL)



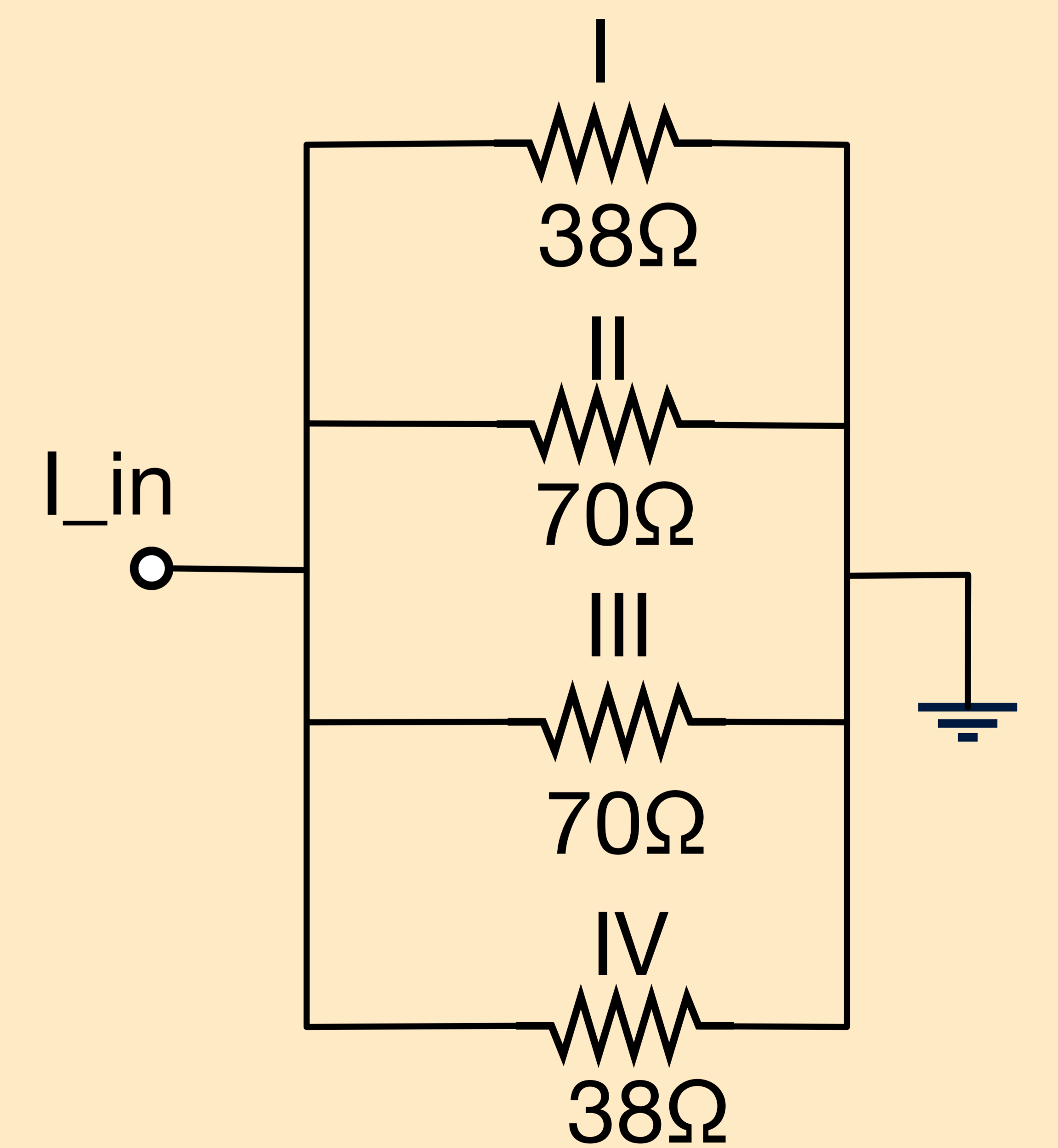
$$R_{TOTAL} = 54 \Omega$$

CONFIGURATION B



$$R_{TOTAL} = 24 \Omega$$

CONFIGURATION C



$$R_{TOTAL} = 12.3 \Omega$$