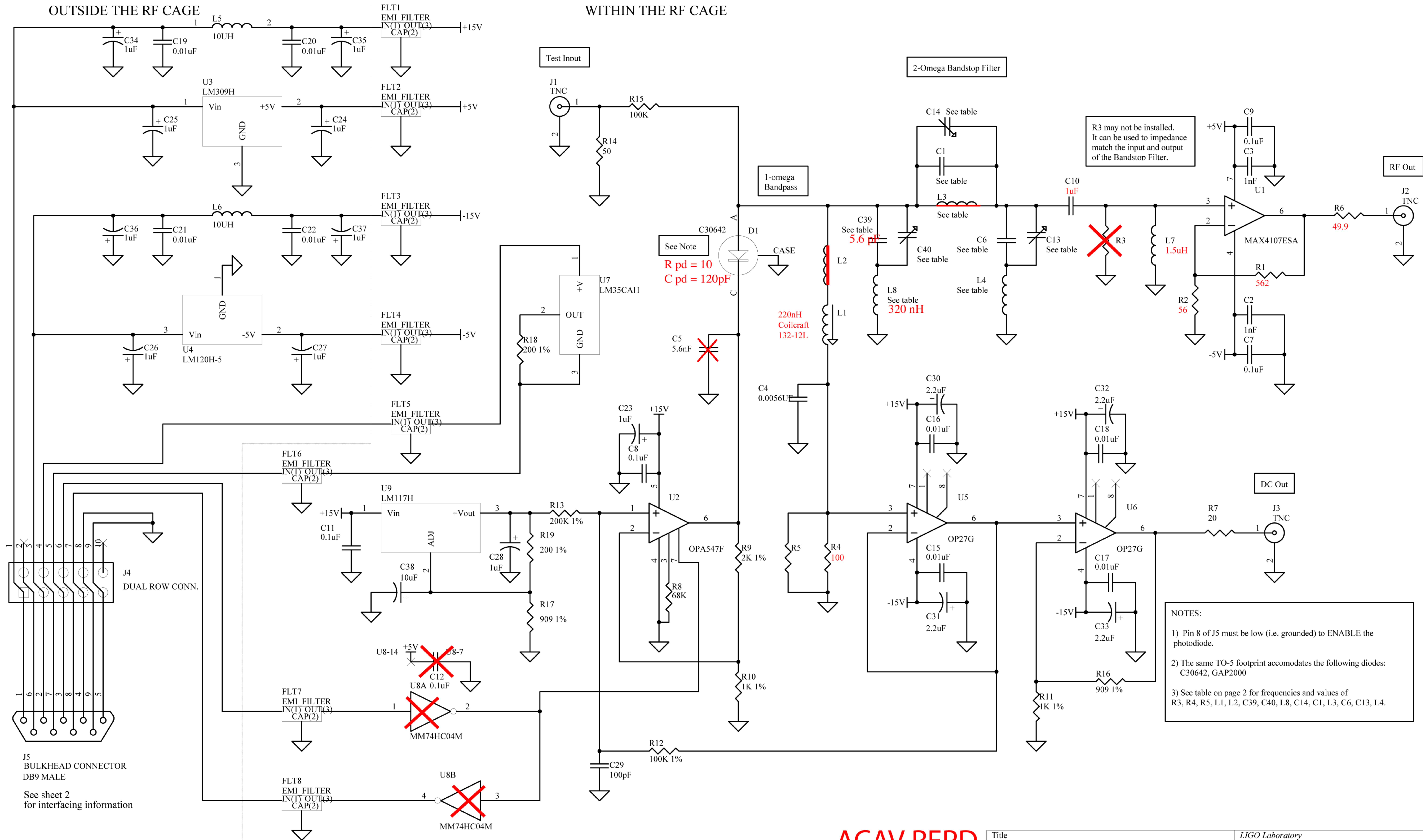


OUTSIDE THE RF CAGE

WITHIN THE RF CAGE



R3 may not be installed. It can be used to impedance match the input and output of the Bandstop Filter.

See Note
 $R_{pd} = 10$
 $C_{pd} = 120\text{pF}$

NOTES:
 1) Pin 8 of J5 must be low (i.e. grounded) to ENABLE the photodiode.
 2) The same TO-5 footprint accomodates the following diodes: C30642, GAP2000
 3) See table on page 2 for frequencies and values of R3, R4, R5, L1, L2, C39, C40, L8, C14, C1, L3, C6, C13, L4.

ACAV RFPD
35.5 MHz