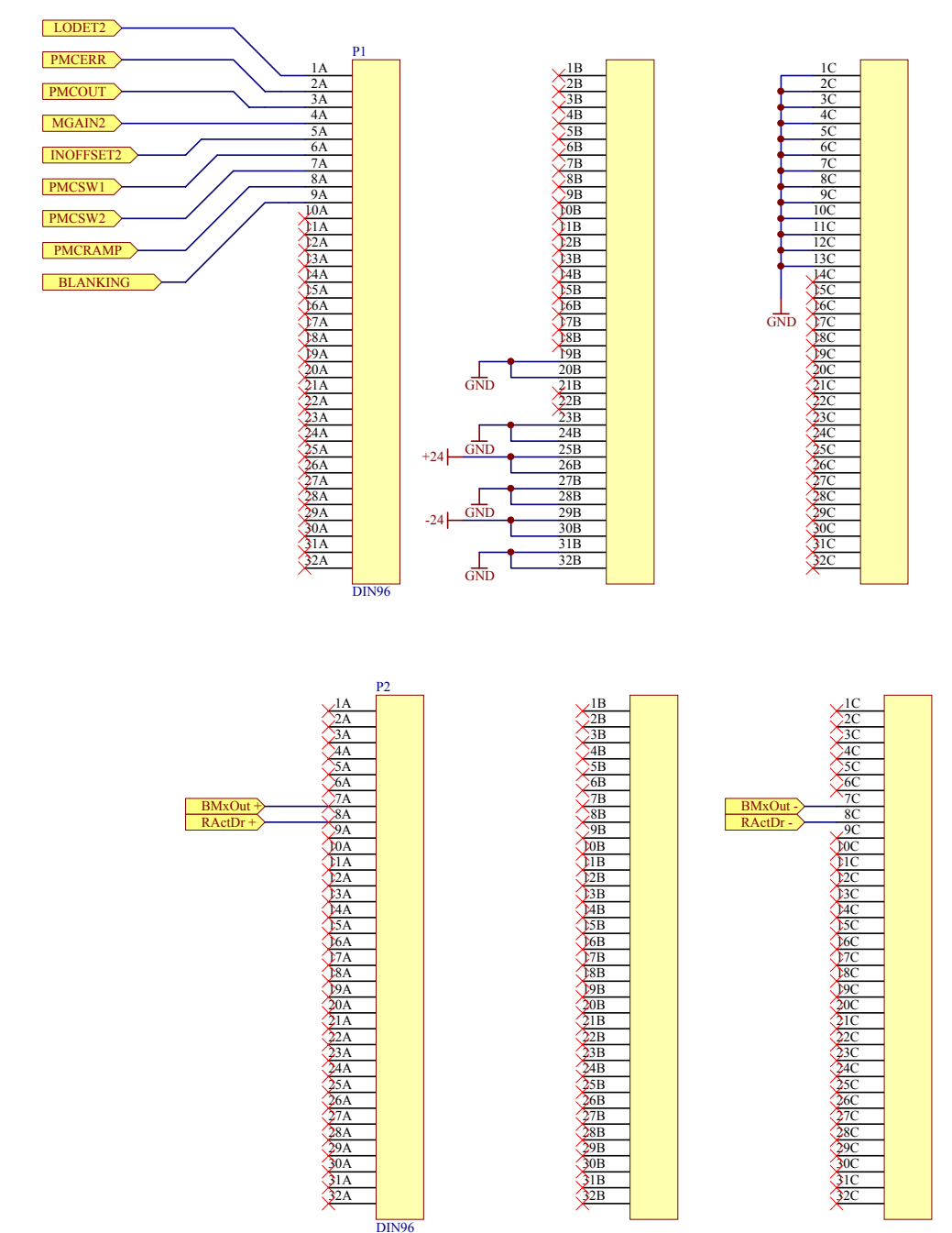
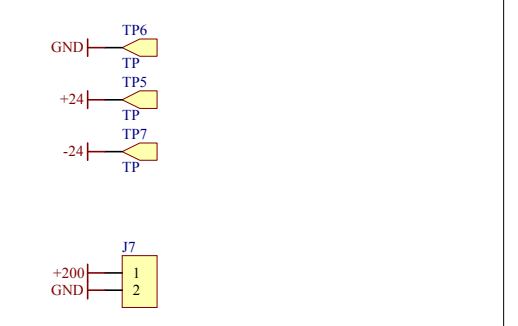
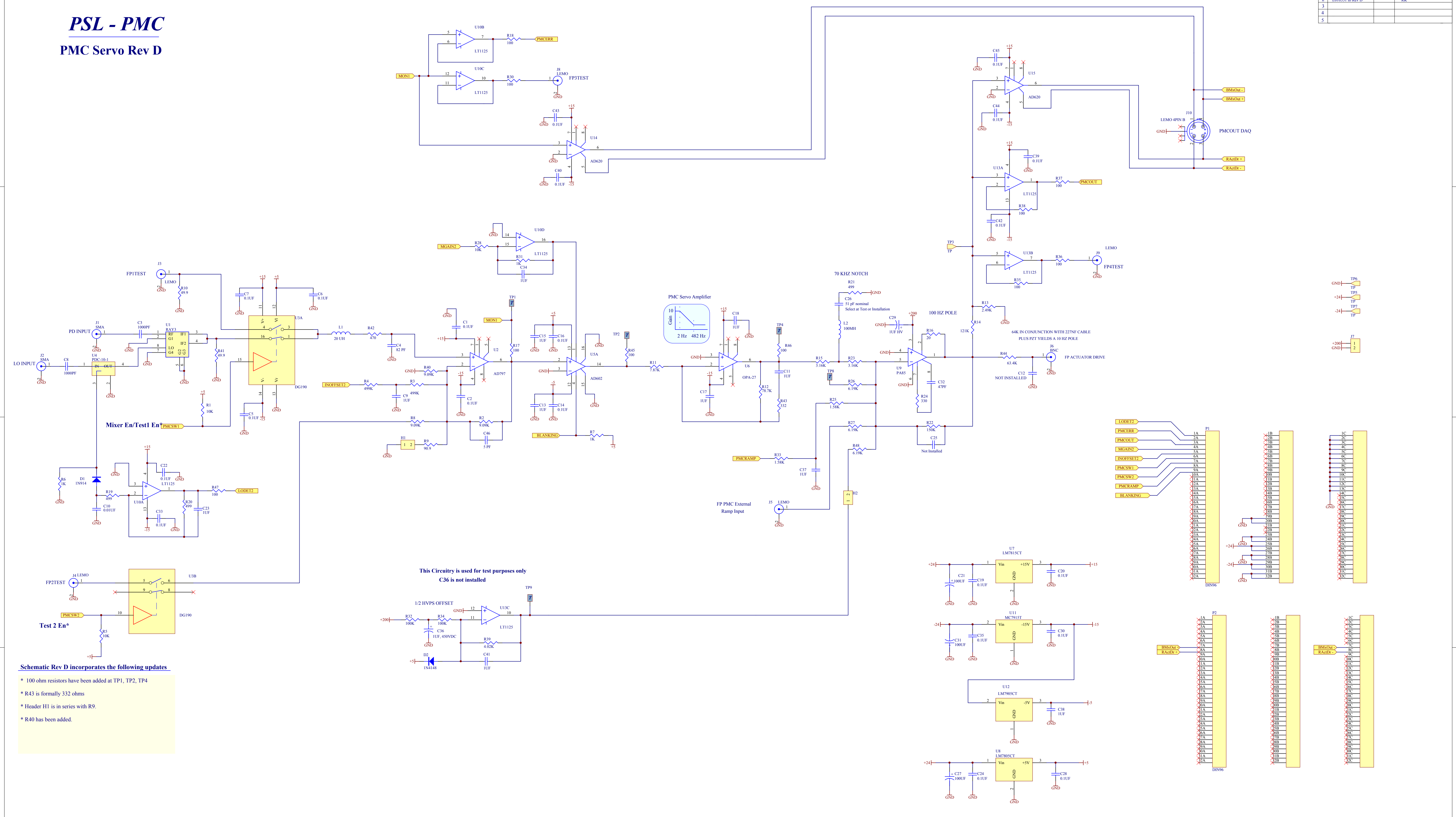


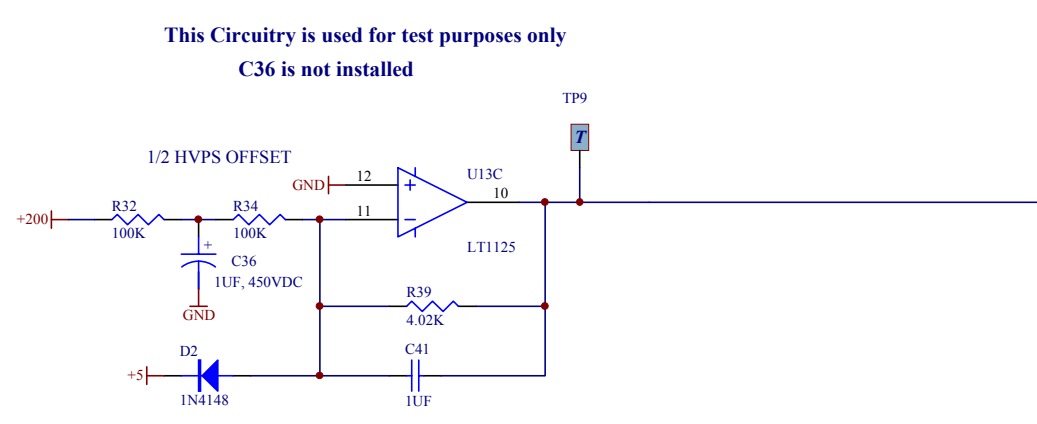
PSL - PMC

PMC Servo Rev D

Engineering Change Order History		
ECO number	Date	Originator
1	E010166 to Rev C	RK
2	E010331 to Rev D	RK
3		
4		
5		



- Schematic Rev D incorporates the following updates**
- * 100 ohm resistors have been added at TP1, TP2, TP4
 - * R43 is formally 332 ohms
 - * Header H1 is in series with R9.
 - * R40 has been added.



REV	DATE	DRAWN BY	CHECKED BY	DCC	DCN / DESCRIPTION
D	Sept 13, 01				E010331