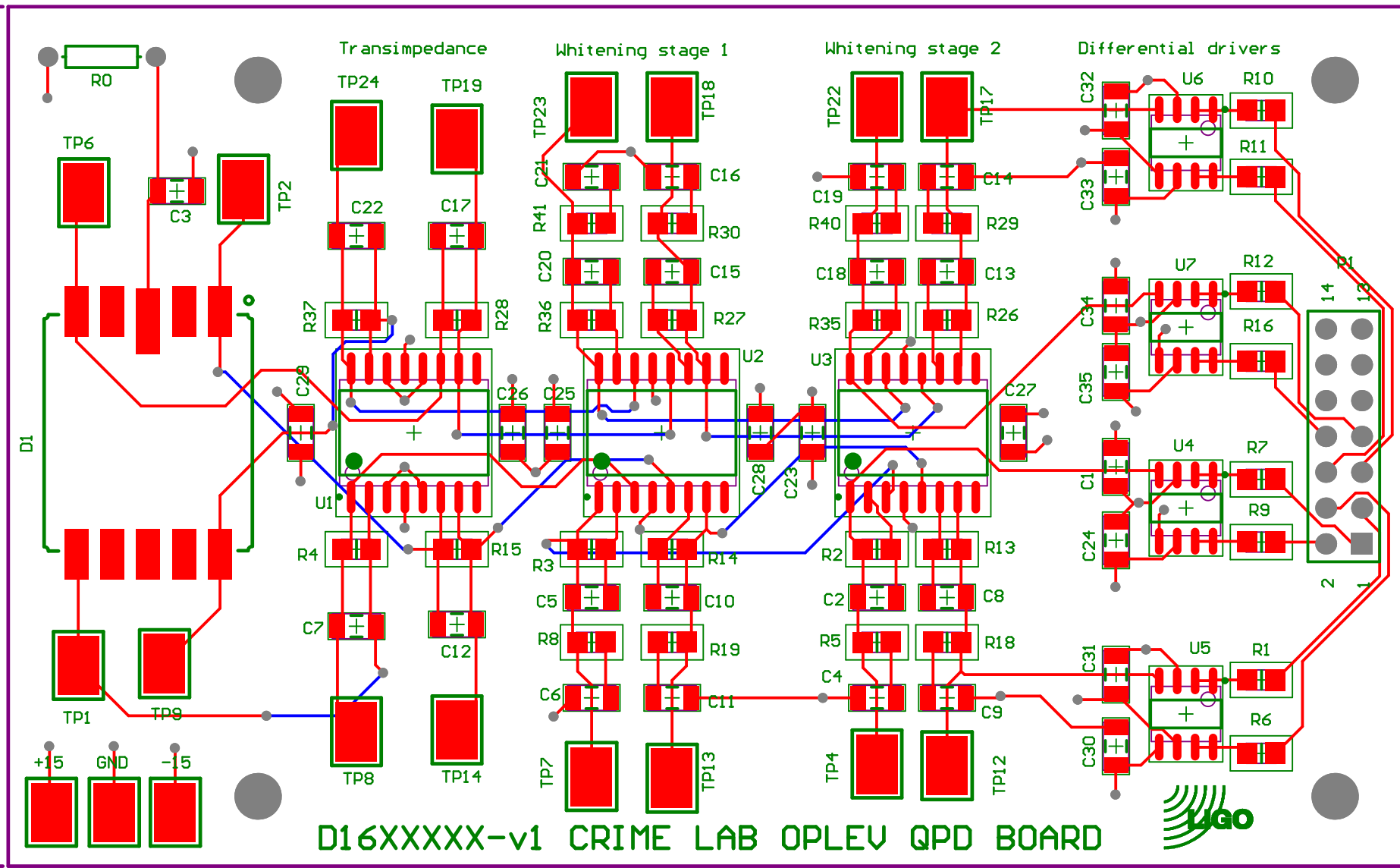


Title		
Size	Number	Revision
C		
Date:	5/6/2016	Sheet of
File:	D:\CRIME_QPD\amd_drv133.SchDoc	Drawn By

2400.00 (mil)



D16XXXX-v1 CRIME LAB OPLEV QPD BOARD



3900.00 (mil)