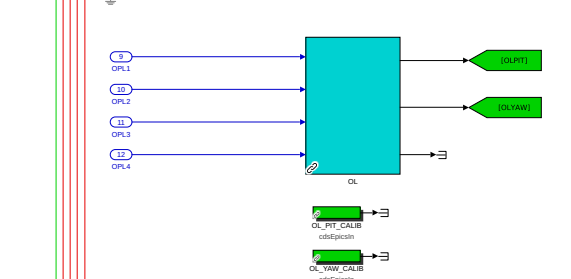
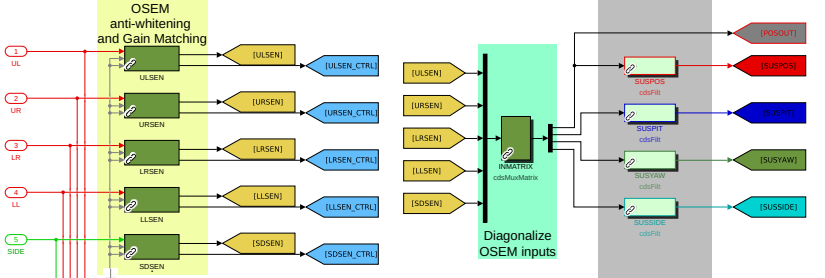
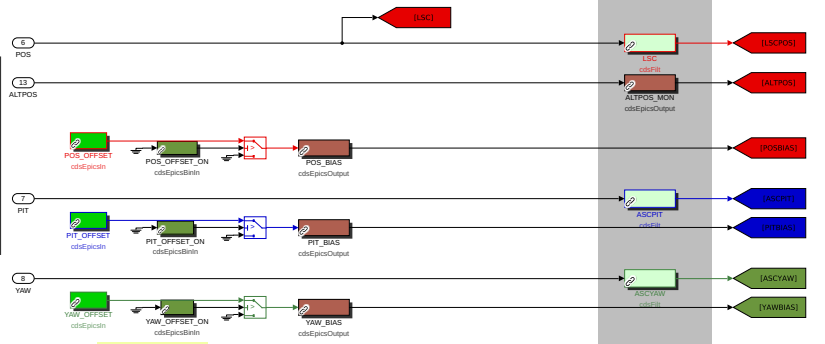
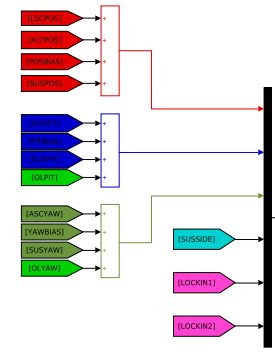
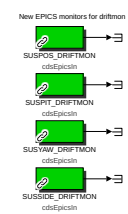
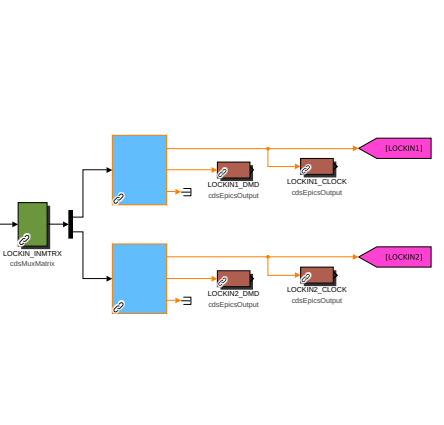


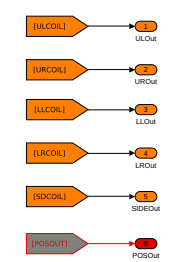
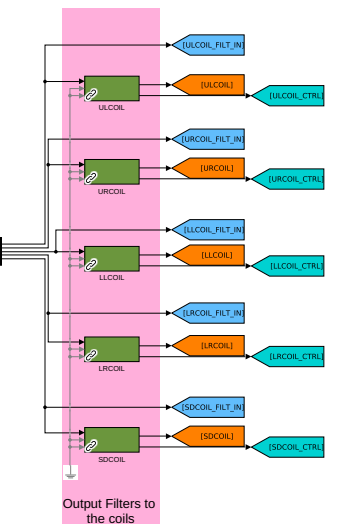
#DAQ Channels
 SUSPOS_IN1
 SUSPIT_IN1
 SUSYAW_IN1
 SUSDISE_IN1
 ULSEN_OUT
 URSEN_OUT
 LRSEN_OUT
 LLSEN_OUT
 SDSEN_OUT
 OL_PIT_IN1
 OL_YAW_IN1
 LSC_OUT16384
 ASCPIT_IN1 2048
 ASCYAW_IN1 2048



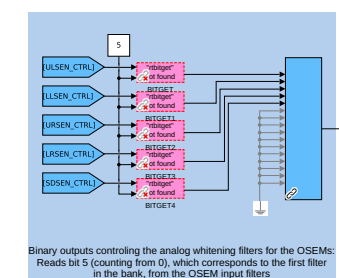
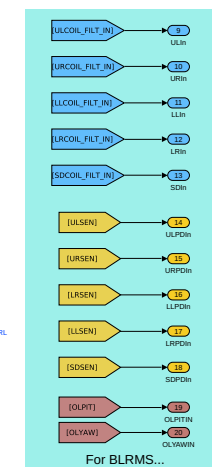
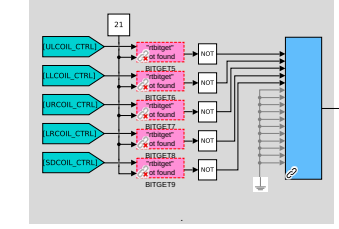
Servo Filters and post-filter excitation



TO_COIL
 cdbFirmMuMatrix



Binary outputs controlling the analog dewhiting filters for the coils:
 Reads bit 21 (counting from 0), which corresponds to the last filter in the filter bank, from the coilid output filter



Binary outputs controlling the analog whitening filters for the OSEMs:
 Reads bit 5 (counting from 0), which corresponds to the first filter in the bank, from the OSEM input filters

