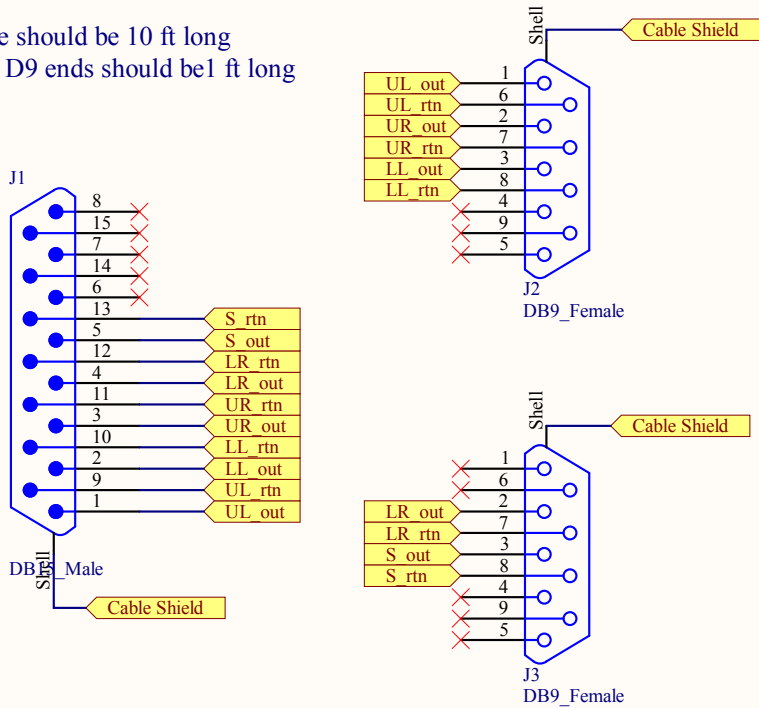
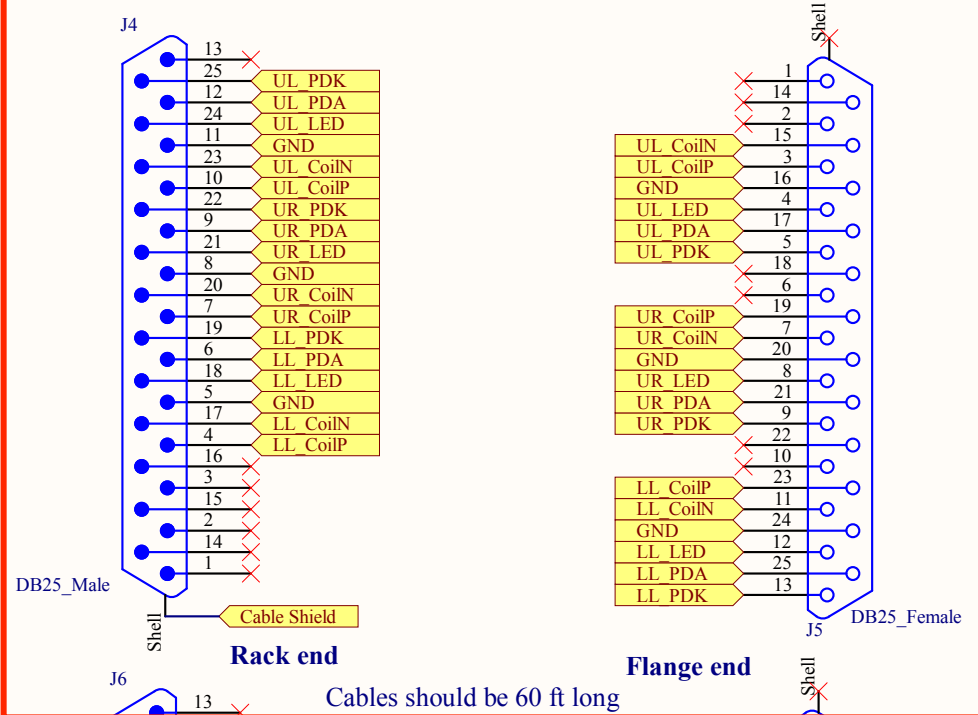


Custom Cable #1 - SOS coil driver D010001 to Satellite Box D080276

Cable should be 10 ft long
Split D9 ends should be 1 ft long

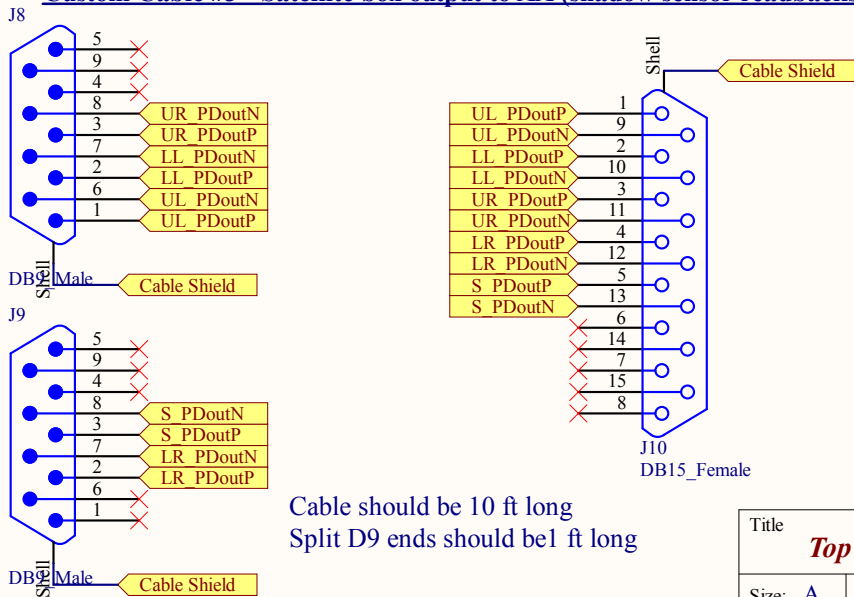


Custom Cable #2 - Satellite box output to vacuum flange (2 cables per suspension)



Cables should be 60 ft long
Note irregular arrangement for coil drives

Custom Cable #3 - Satellite box output to AA (shadow sensor readbacks)



Cable should be 10 ft long
Split D9 ends should be 1 ft long

Title: **Top level schematic**

LIGO Laboratory
California Institute of Technology
Massachusetts Institute of Technology

LIGO

Size: A DEC Number: Revision: 1

Engineer: Gautam V

Date: 12/17/2020

Time: 8:13:47 PM

Sheet 1 of 1