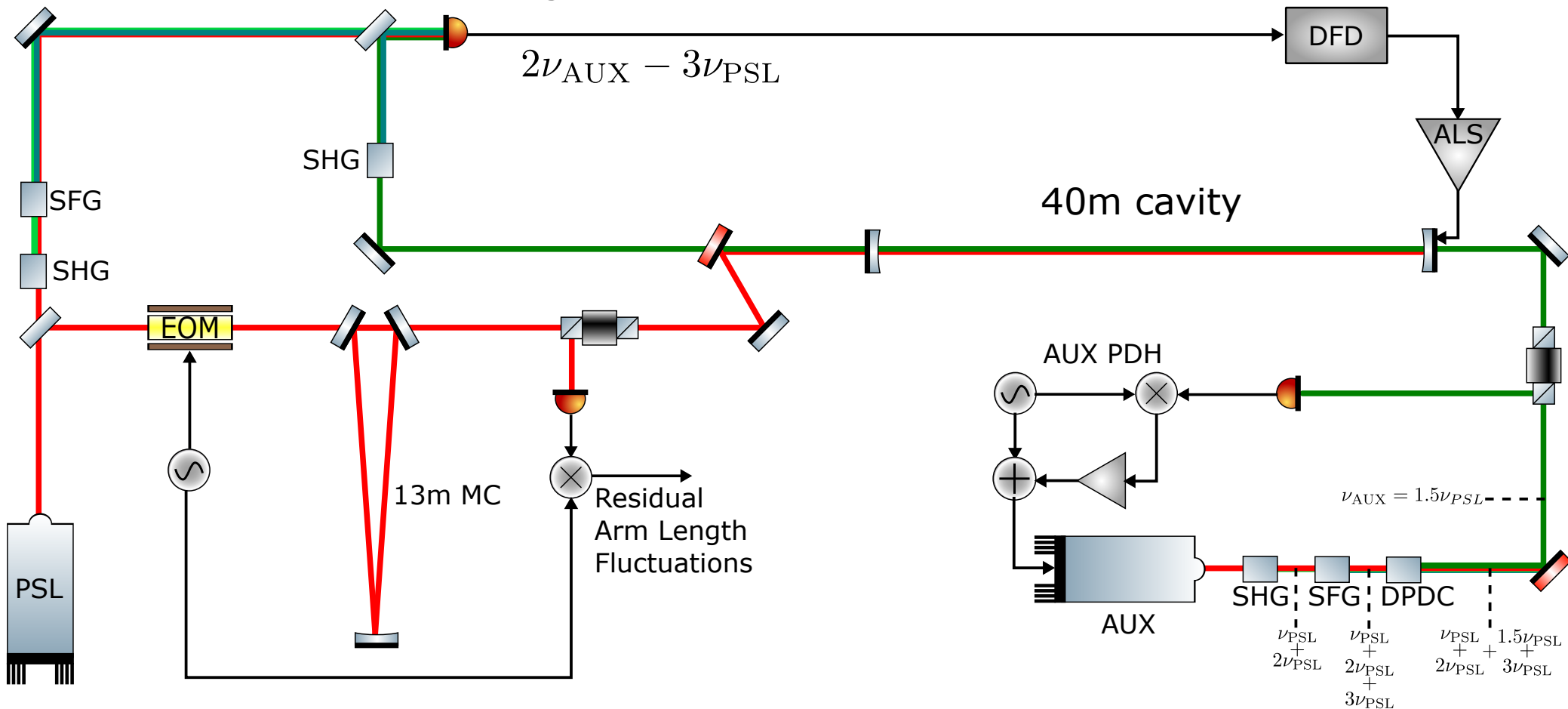
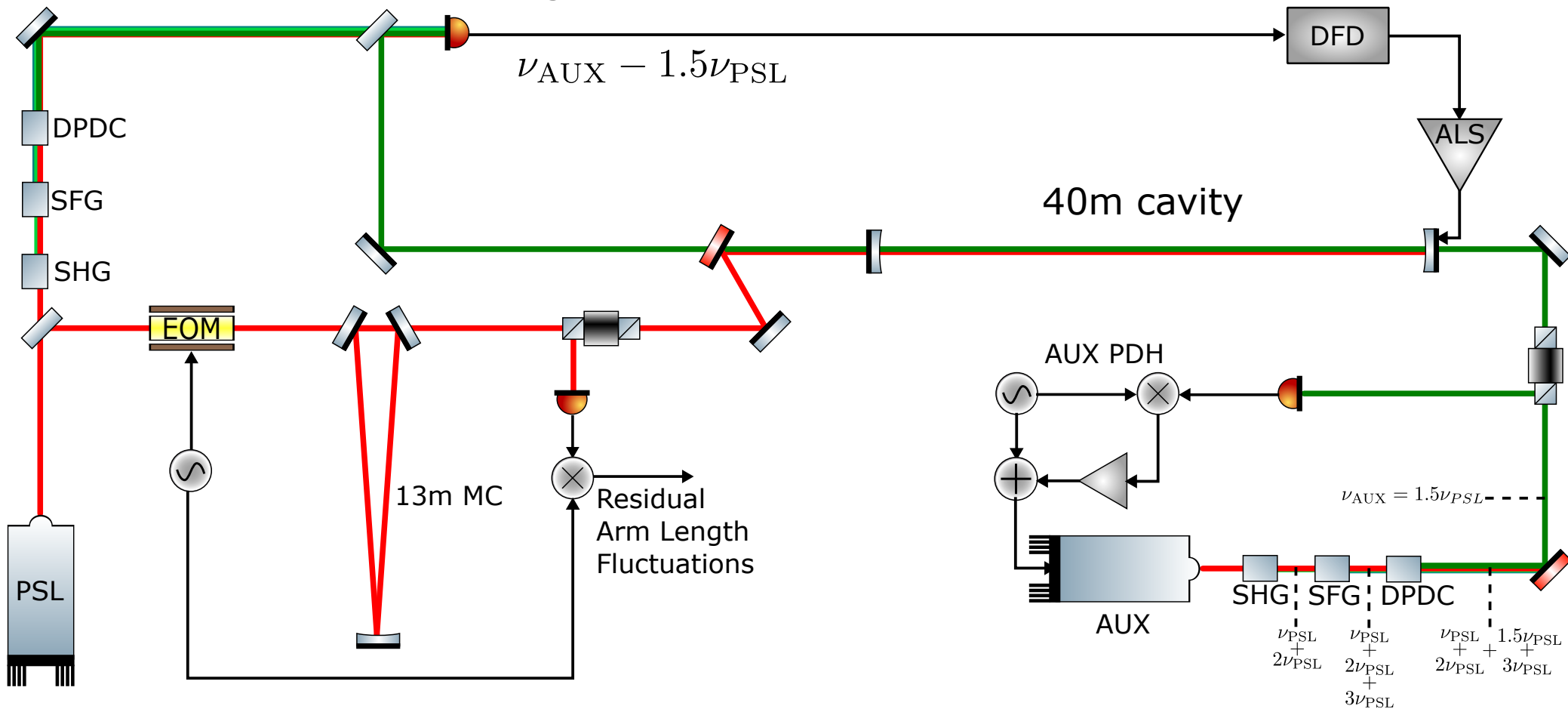
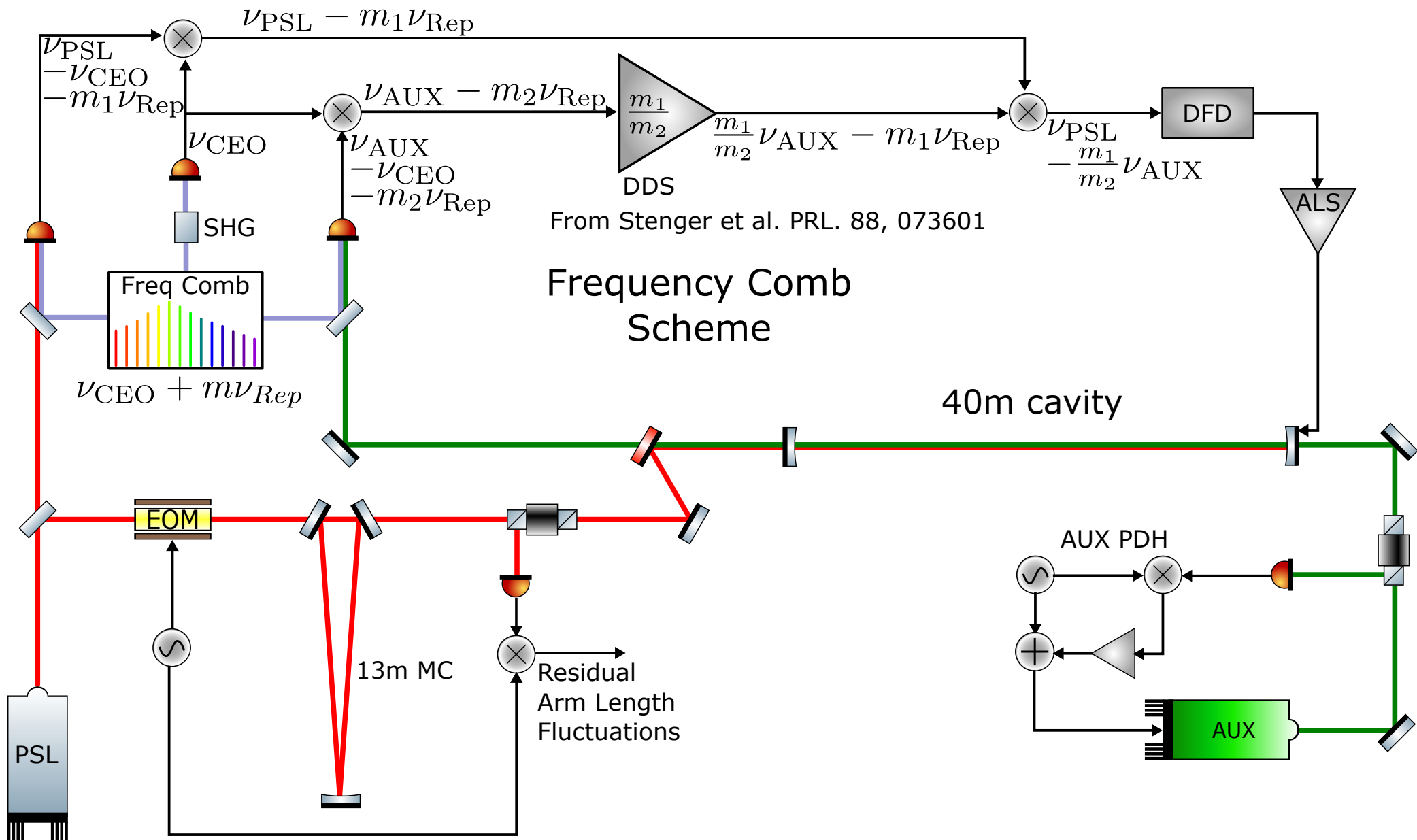


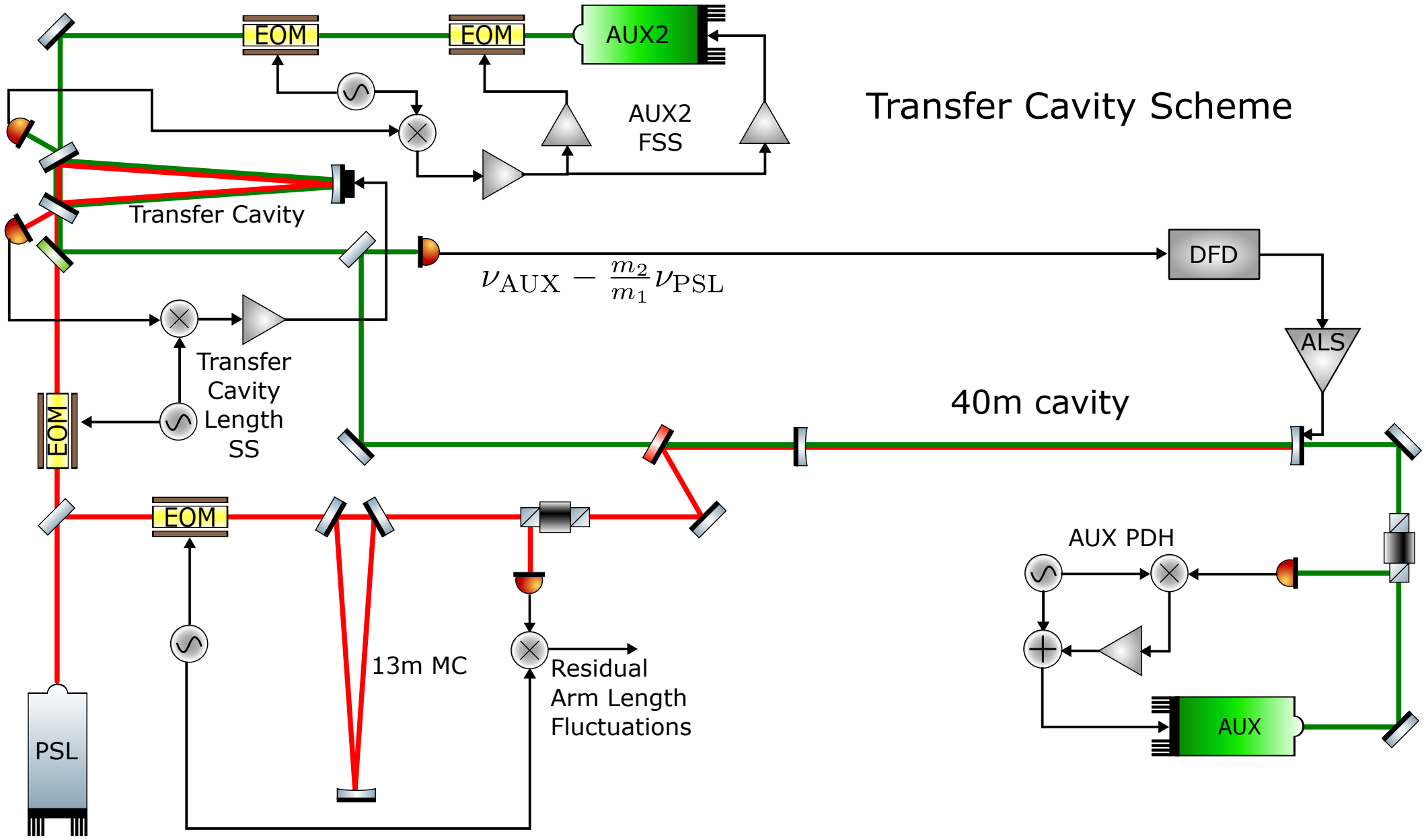
Higher Harmonic Scheme I



Higher Harmonic Scheme II







Transfer Cavity Scheme

$$\nu_{\text{AUX}} - \frac{m_2}{m_1} \nu_{\text{PSL}}$$

40m cavity

13m MC

Transfer Cavity Length SS

Residual Arm Length Fluctuations

AUX PDH

AUX

DFD

ALS

AUX2 FSS

EOM

EOM

AUX2

Transfer Cavity

PSL

EOM

EOM

+

×

+

×

×

×

+

+

+

+

+

+

+

+

+

+

+

+

+

+

+

