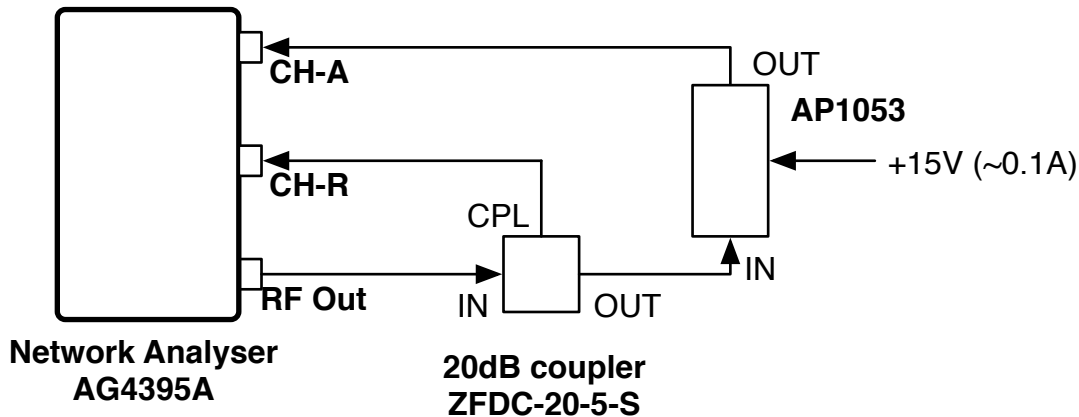


Transfer function measurement



Input noise measurement

