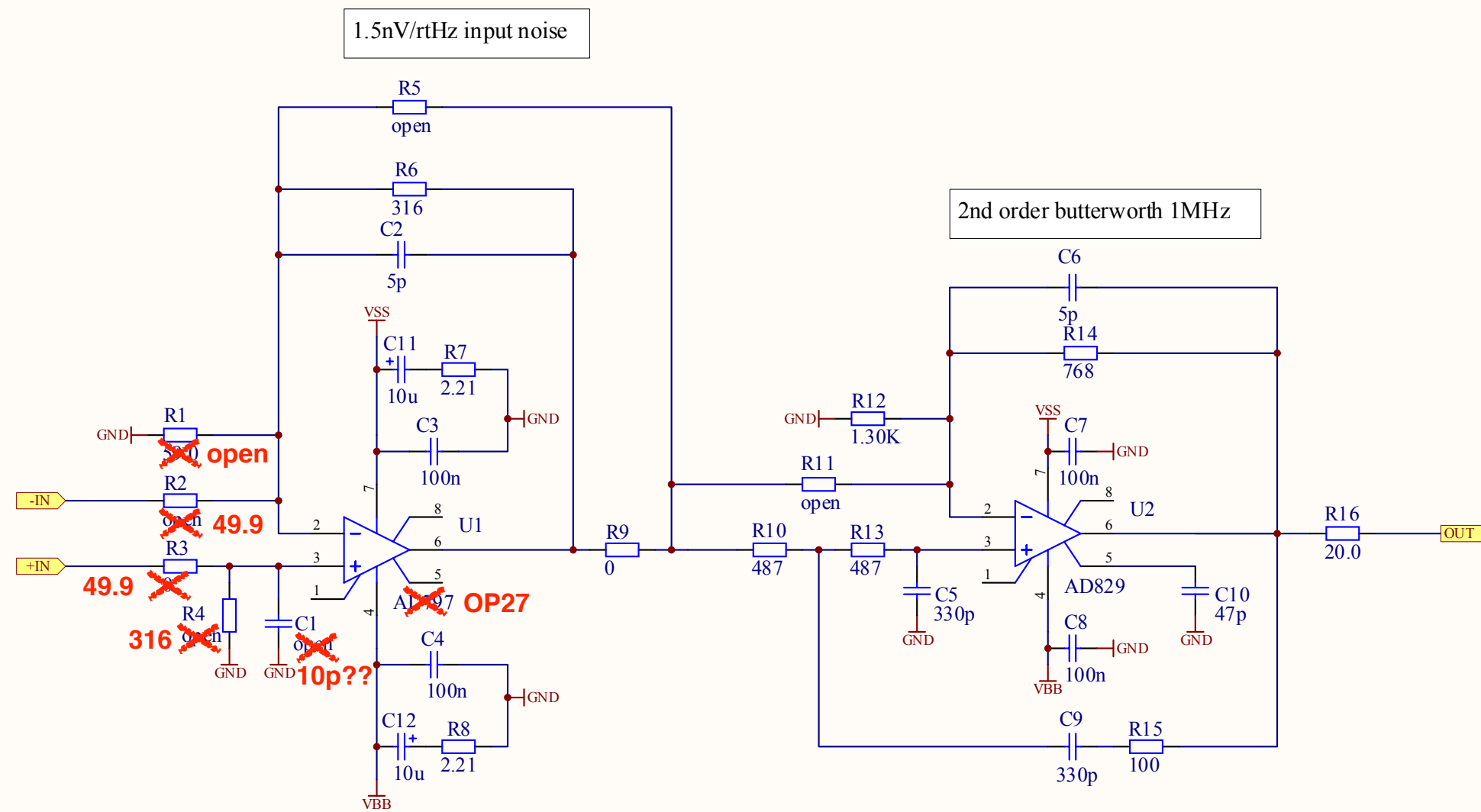


Title		
<b>Demodulator Preamp</b>		
Size	Number	Revision
B	D040179-A	A
Date:	6/25/2004	Sheet 1 of 2
File:	C:\User\...\DemodPreamp.SchDoc	Drawn By: Daniel Sigg



- Daughter board on AS55 Demod Board @ 40m
  - All thick film resistors changed for thin film
  - AD797s swapped out with OP27s
- gv, 11 Oct 2017

Title		
<b>Demodulator Preamp</b>		
Size	Number	Revision
B	D040179-A	A
Date:	6/25/2004	Sheet 2 of 2
File:	C:\User\...\DemodPreamp2.SchDoc	Drawn By: Daniel Sigg