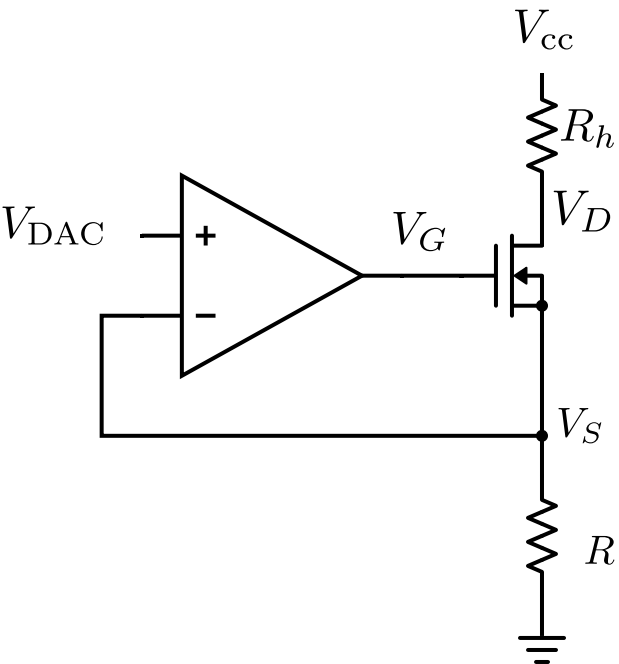


New Circuit



Old Circuit

