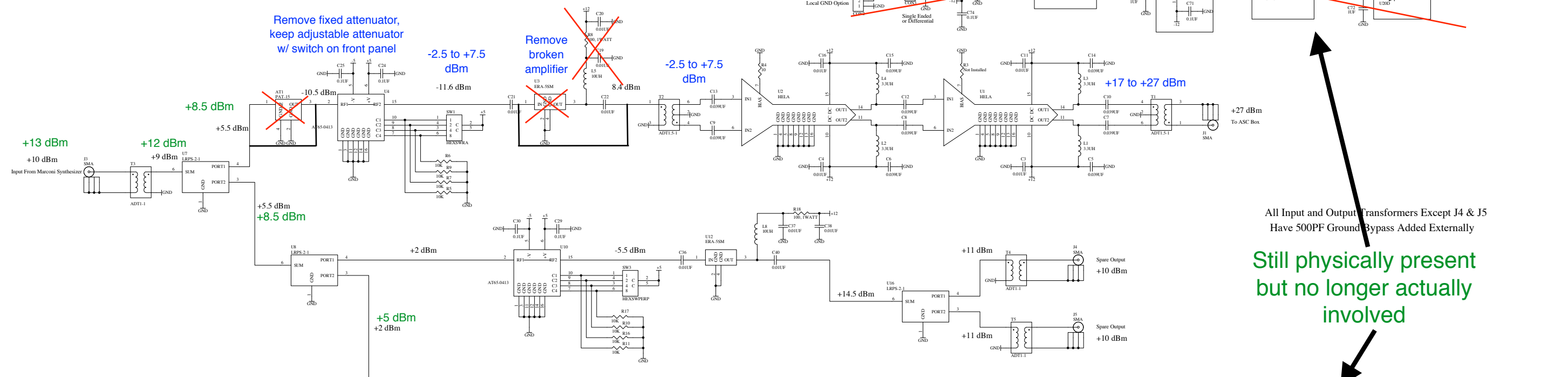
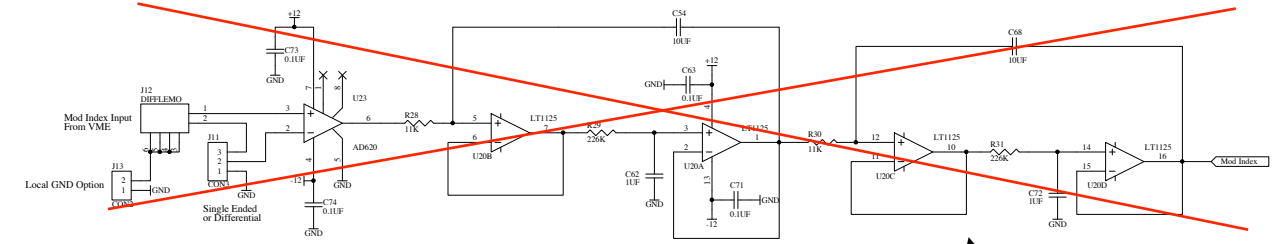


- Changes and errors:**
1. The J11 input ground selection jumper is not useful.
  2. The footprint for U13 is incorrect on the PCB
  3. Selection for ATXU13 should be via zero ohm resistors
  4. 500 pF caps should be added to all RF inputs and outputs
  5. HELA 10 amplifiers are added to all RF inputs and outputs
  6. Remove L16 and C79
  7. Need test points on the band pass filter to facilitate tuning
  8. Add a block on PCB to write what the attenuator settings are



All Input and Output Transformers Except J4 & J5  
Have 500PF Ground Bypass Added Externally

Still physically present  
but no longer actually  
involved

