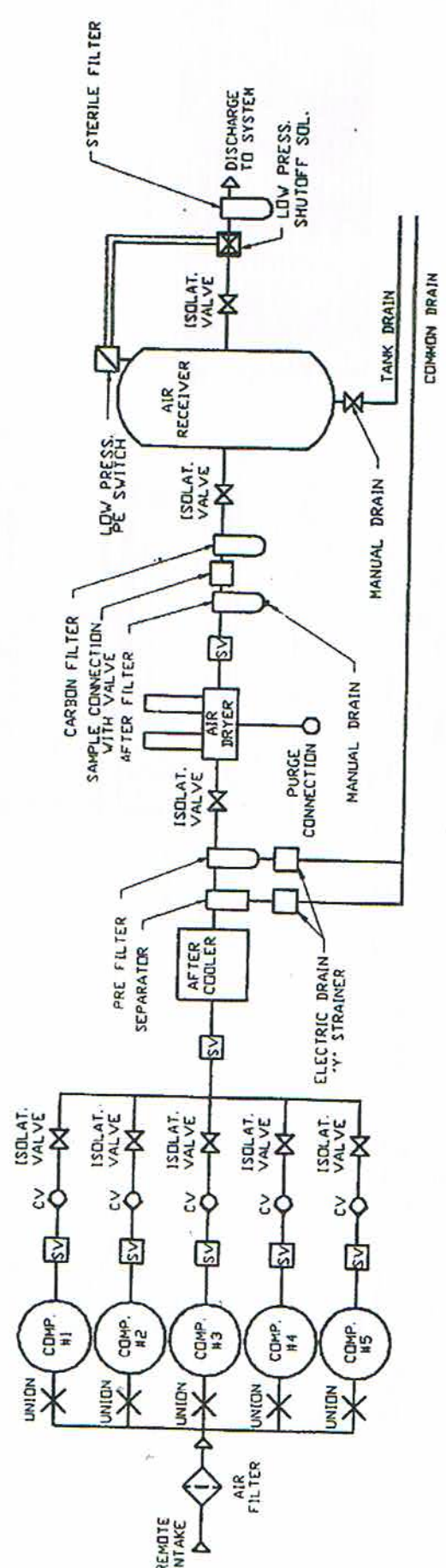


3

REV	REVISION	DATE	ECN	NAME	CHKD
A-1	RELEASE FOR APPROVAL	6/3/96		REP	DFG
A-2	ADDED COMPONENTS TO Dwg.	6/14/96		REP	DFG
A-3	ADD VALVE TO SAMPLE CONNECTIONS	7/18/96		REP	DFG
A-4	REMOVED SAMPLE PORT AT DISCHARGE	11/21/96		REP	DFG



SYMBOL LEGEND

⊖ = MINUS DRAFT
⊕ = PLUS DRAFT

⊖ = ADDITIONAL CONTROL
⊕ = REQUIRED

⊖ = BRINELL HARDNESS

TOLERANCES NOT SPECIFIED

AX ± .001
XX ± .002
Z (DEC) ± .005

DO NOT SCALE DRAWING FOR DIMENSIONS

Sheet 1 of 1 SCALE 1:8

DESIGNED BY: DFG
CHECKED BY: DFG
APPROVED BY: DFG
DATE: 6/3/96

THE CAMPBELL GROUP
POWEREX
150 PRODUCTIONS BLVD. WESTON, OHIO 44090
Ph: (330) 367-8100 Fax: (330) 367-8125

FLOW SCHEMATIC

PART NAME: X-156S
Dwg No: B
SIZE: B

NOTES:

1) WHEN SERVICING COMPRESSOR DISCONNECT INTAKE UNION & CAP.

202