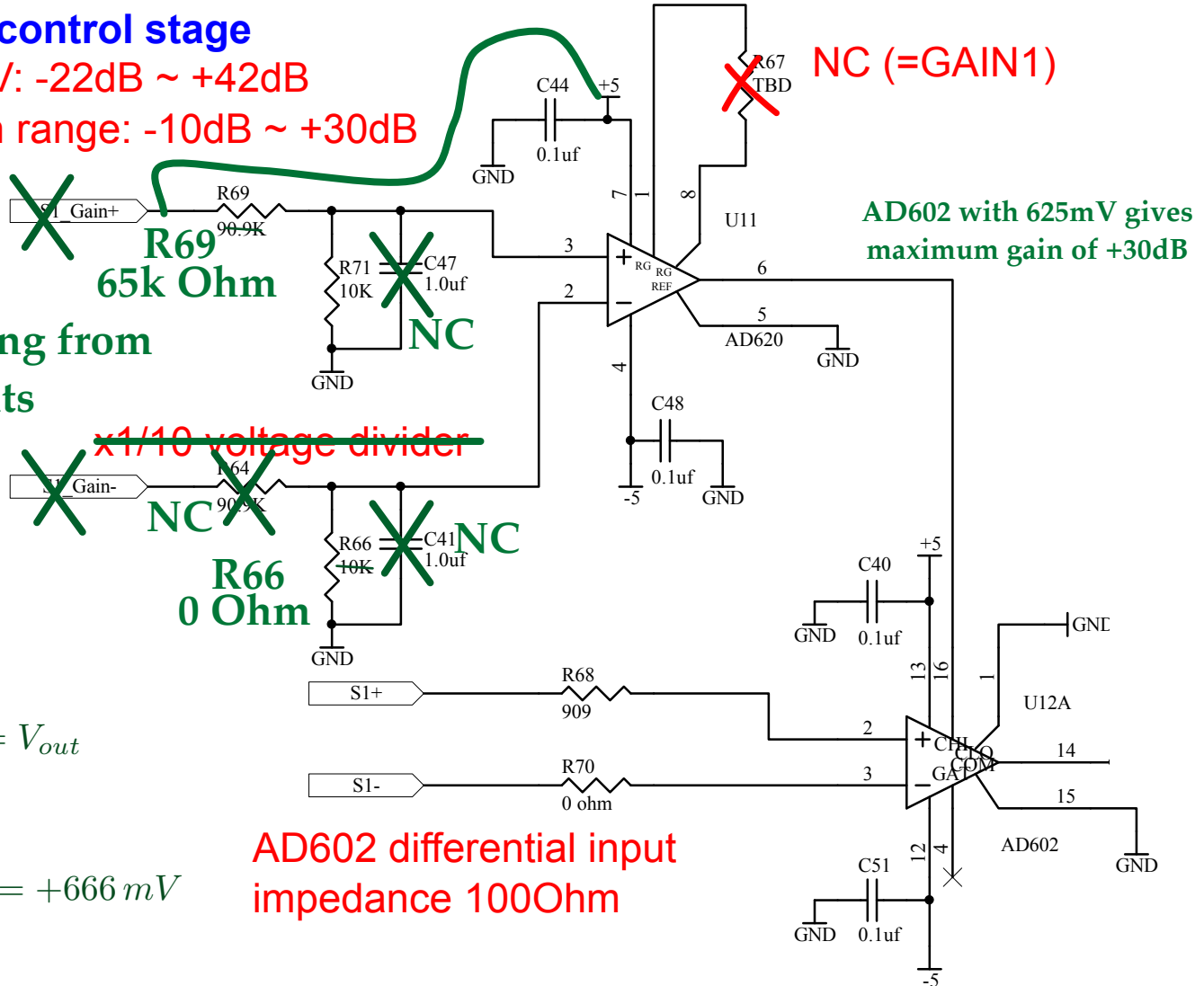


## VGA gain control stage

-10V~+10V: -22dB ~ +42dB

actual gain range: -10dB ~ +30dB



$$V_{in} \frac{R_{71}}{R_{69} + R_{71}} = V_{out}$$

$$(+5V) \frac{10k}{65k + 10k} = +666mV$$