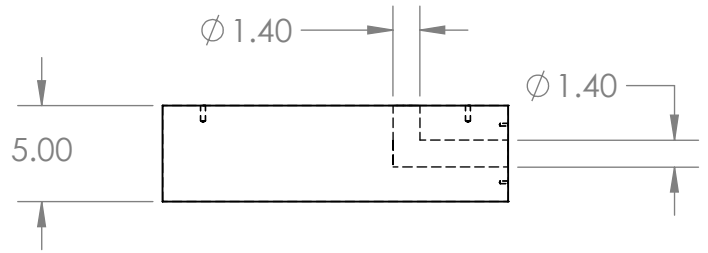
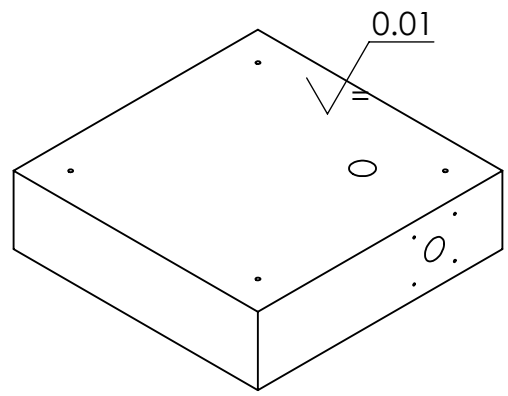
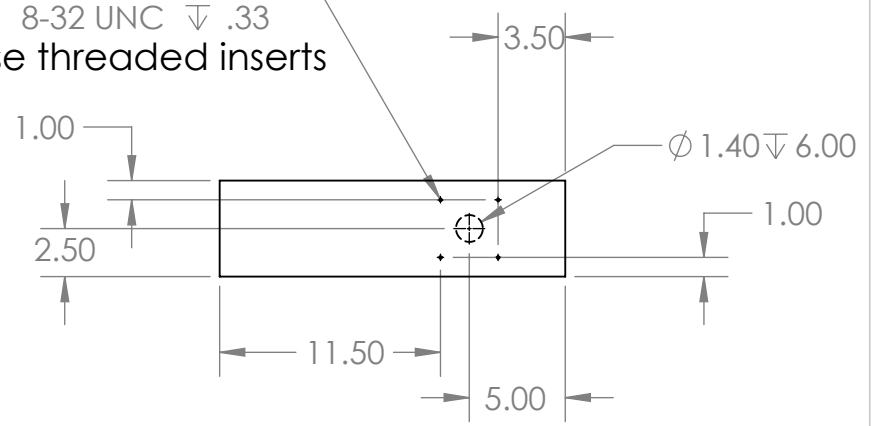


4X $\phi .26 \nabla .80$
 5/16-18 UNC $\nabla .63$
 use threaded inserts



4X $\phi .14 \nabla .42$
 8-32 UNC $\nabla .33$
 use threaded inserts



PROPRIETARY AND CONFIDENTIAL
 LIGO Caltech 40m

		UNLESS OTHERWISE SPECIFIED:	NAME	DATE
		DIMENSIONS ARE IN INCHES TOLERANCES: 0.01 FRACTIONAL \pm ANGULAR: MACH \pm BEND \pm TWO PLACE DECIMAL \pm THREE PLACE DECIMAL \pm	DRAWN	
		INTERPRET GEOMETRIC TOLERANCING PER:	CHECKED	
		MATERIAL: Granite	ENG APPR.	
		FINISH	MFG APPR.	
NEXT ASSY	USED ON		Q.A.	
APPLICATION		DO NOT SCALE DRAWING	COMMENTS:	

TITLE:
**Granite Base for
 Seismometer Installation**

SIZE A	DWG. NO. 00001	REV
SCALE: 1:10	WEIGHT: 185	SHEET 1 OF 1