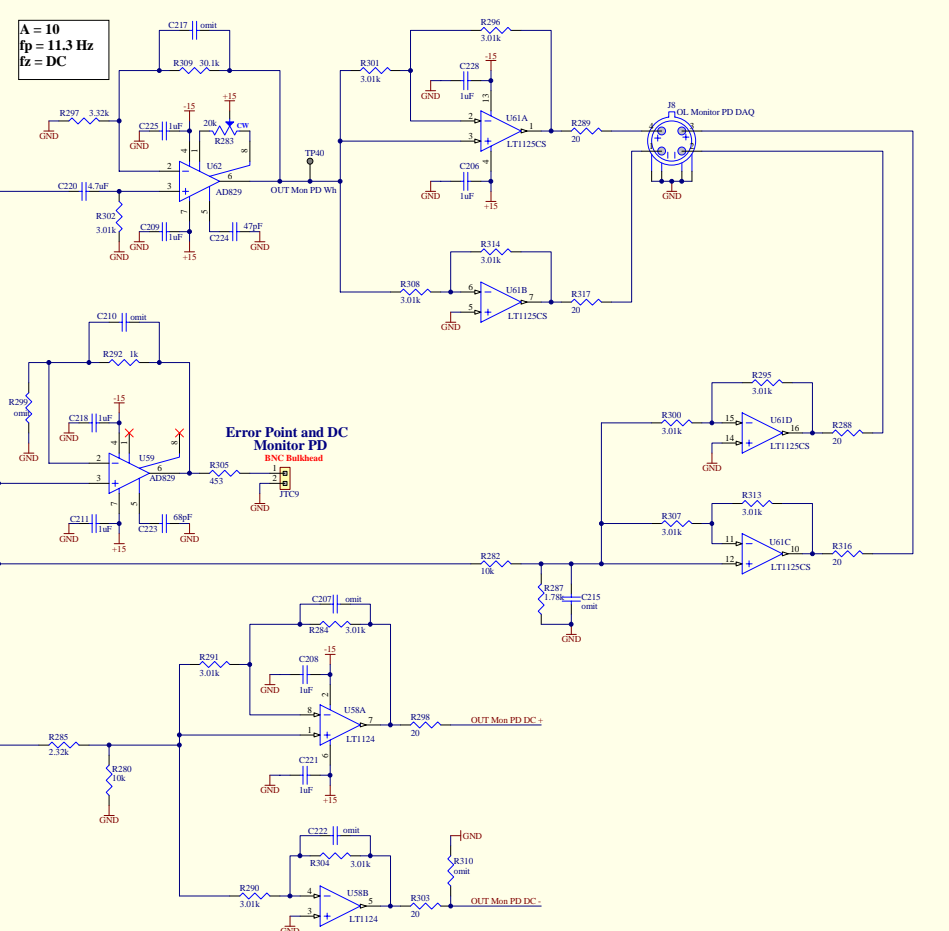
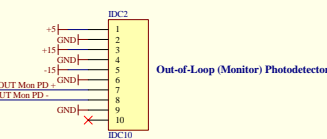
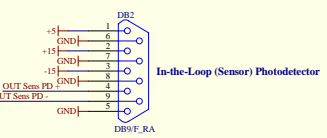
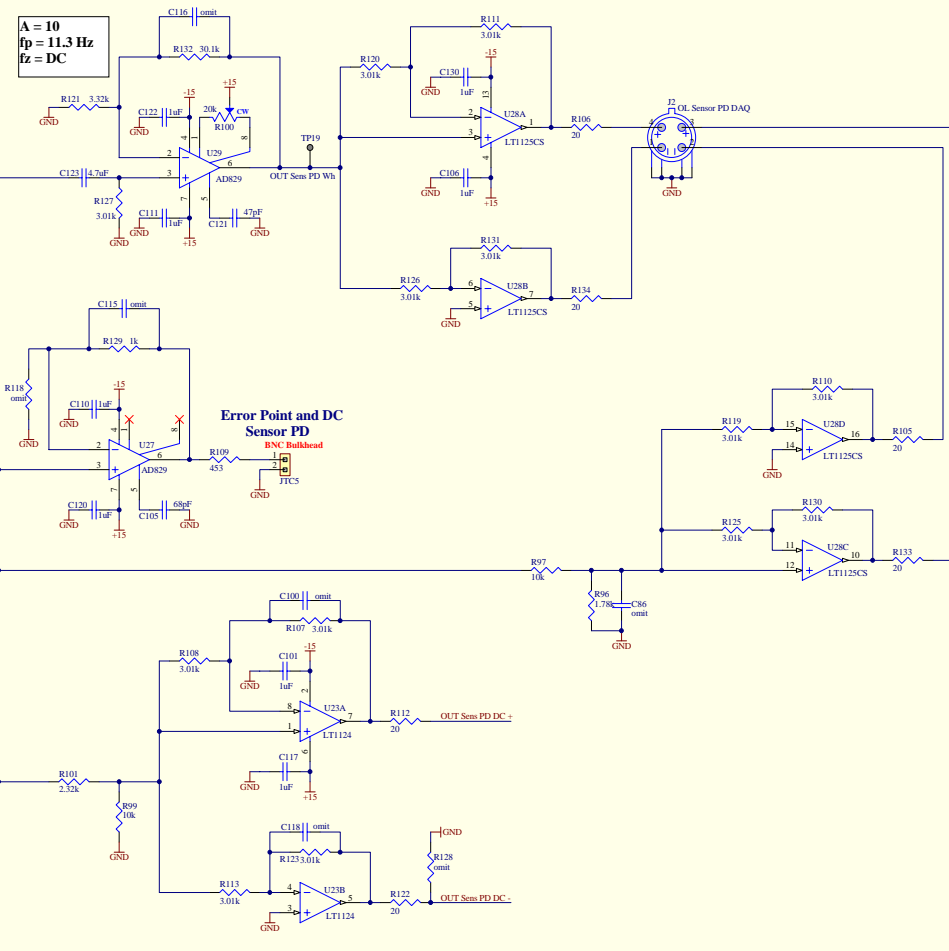


Outer Loop (OL)



This wire-wrapped crossing is temporary. It will be removed as soon as we will have the revised PD head (including a differential driver)

