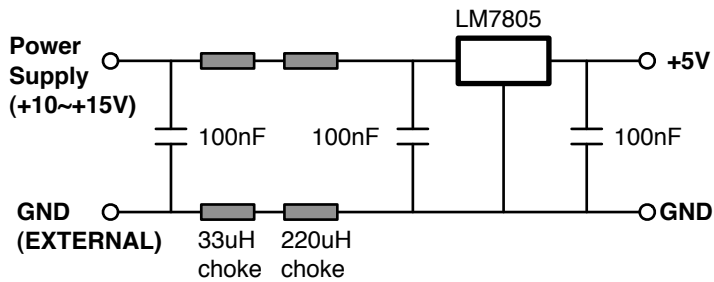
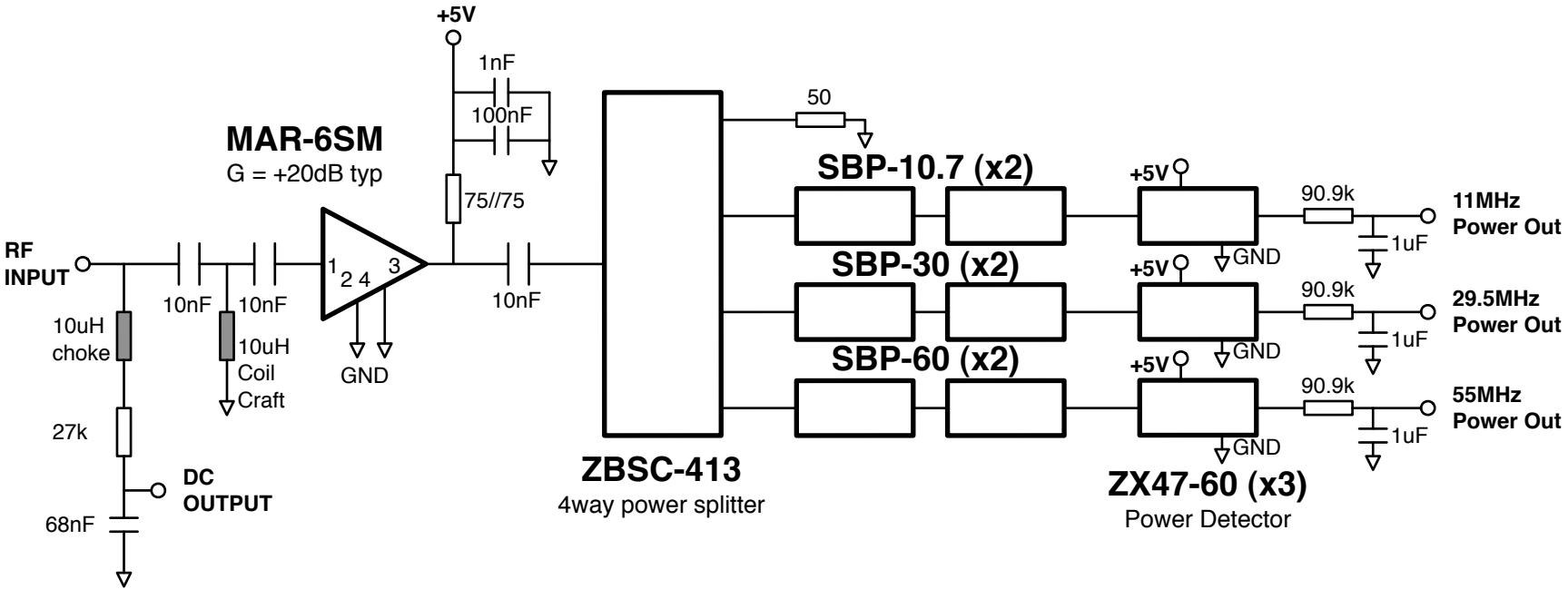


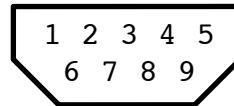
New Stochmon Box

K. Arai

2011-11-16



Dsub Pinout



Female / Inside View

- 1 - 11MHz Power output
- 2 - 30MHz Power output
- 3 - 55MHz Power output
- 4 - DC Output
- 5 - +15V supply
- 6 - 11MHz Return
- 7 - 30MHz Return
- 8 - 55MHz Return
- 9 - Supply ground

ADC connection

- 1 - 11MHz Power output > VMIVME-3113 #C1 S25
- 6 - 11MHz Return >
- 2 - 30MHz Power output > VMIVME-3113 #C1 S26
- 7 - 30MHz Return >
- 3 - 55MHz Power output > VMIVME-3113 #C1 S27
- 8 - 55MHz Return >
- 4 - DC Output >
- 8 - 55MHz Return > VMIVME-3113 #C1 S28