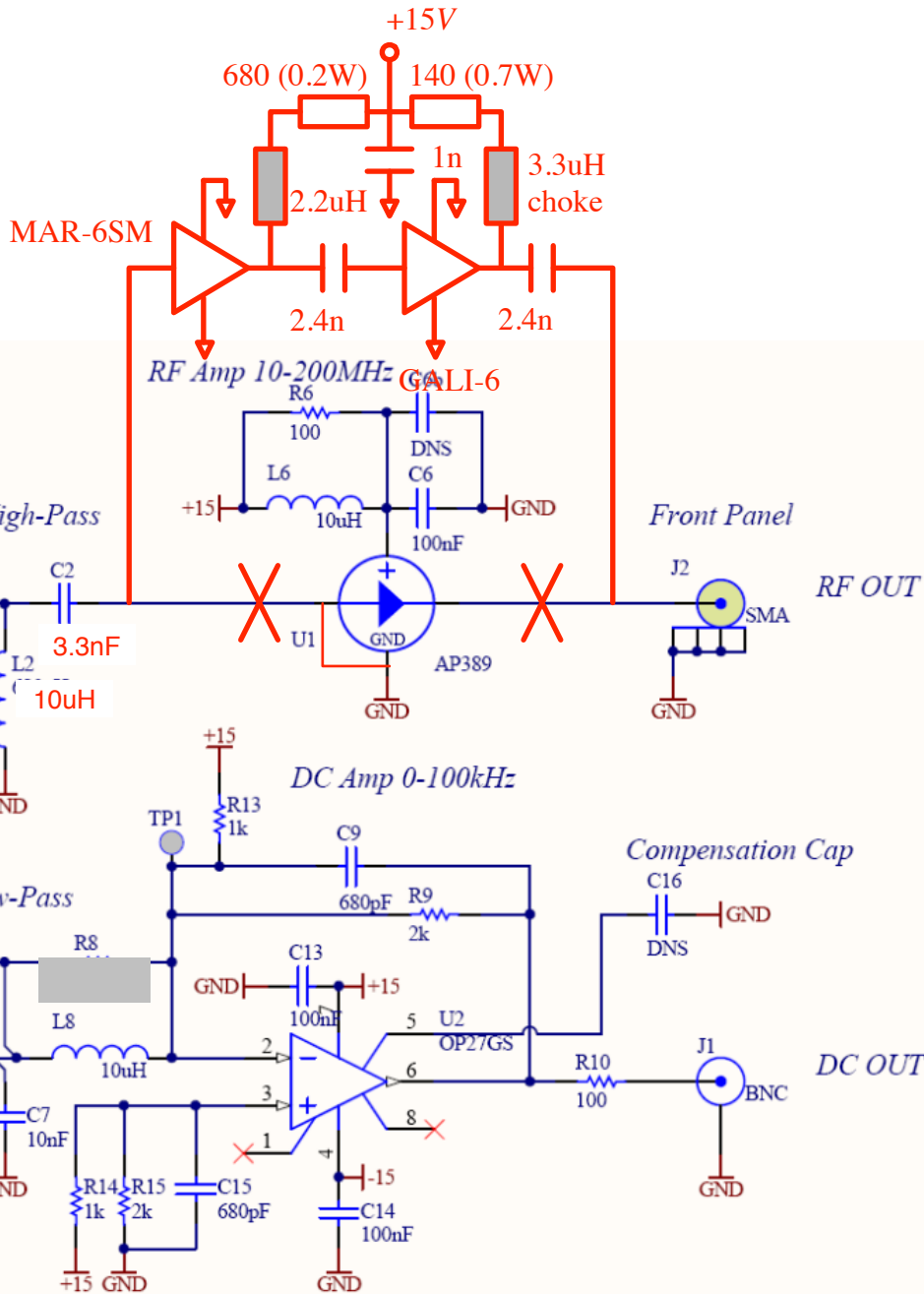


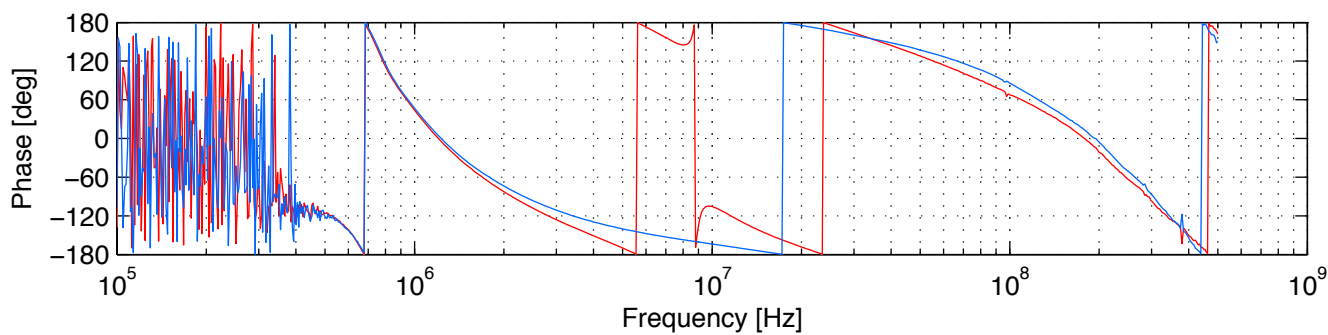
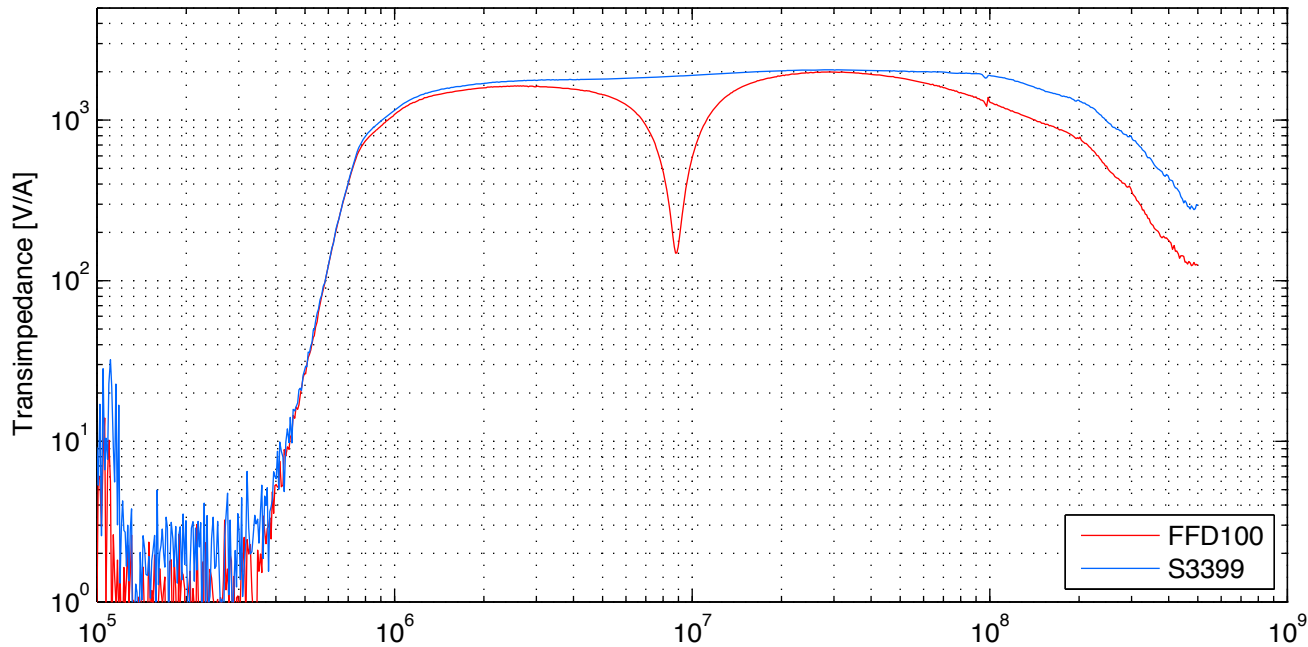
*Photodiode Resonant Circuit*

*Bias Voltage*

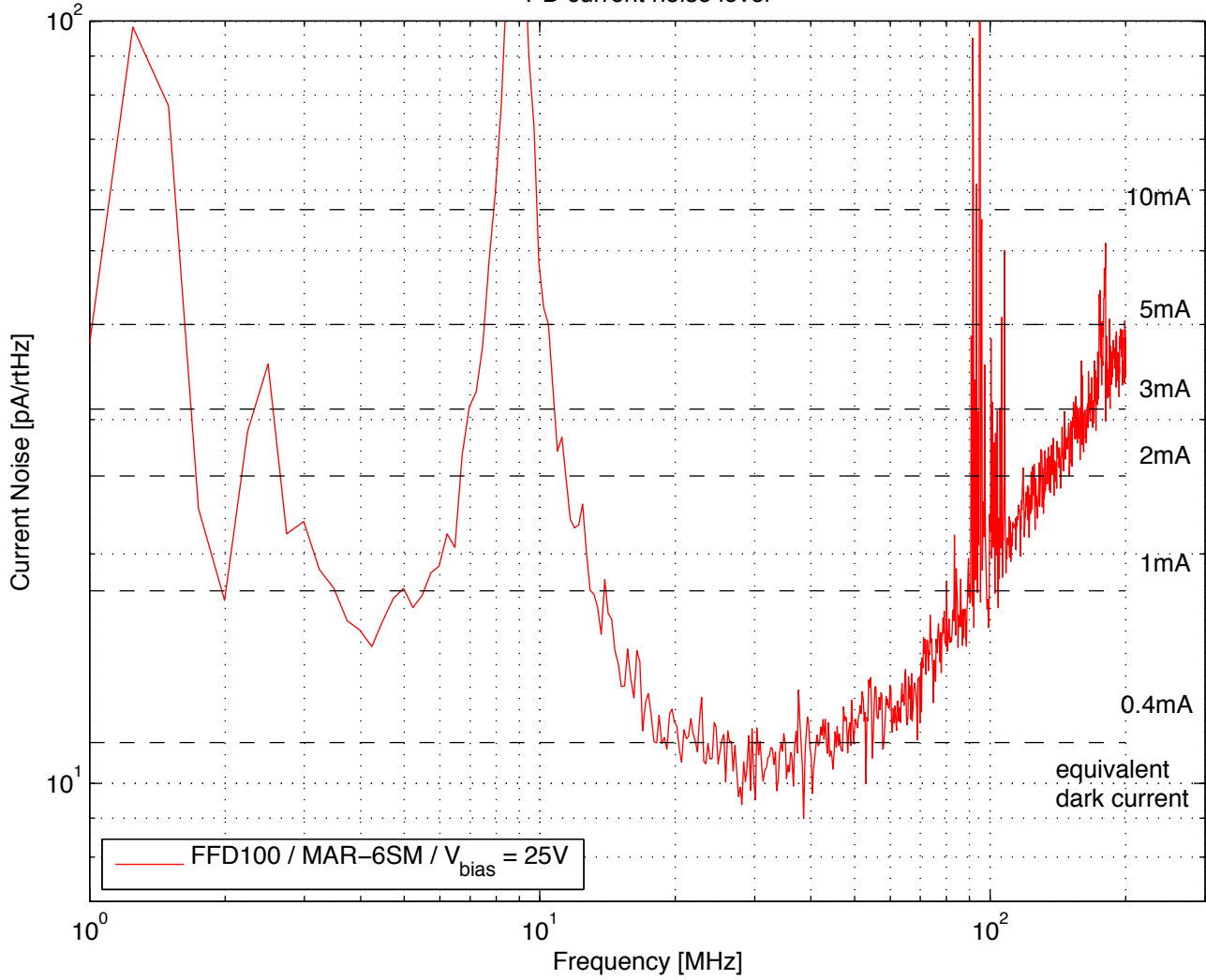
*Internal  
-15V*



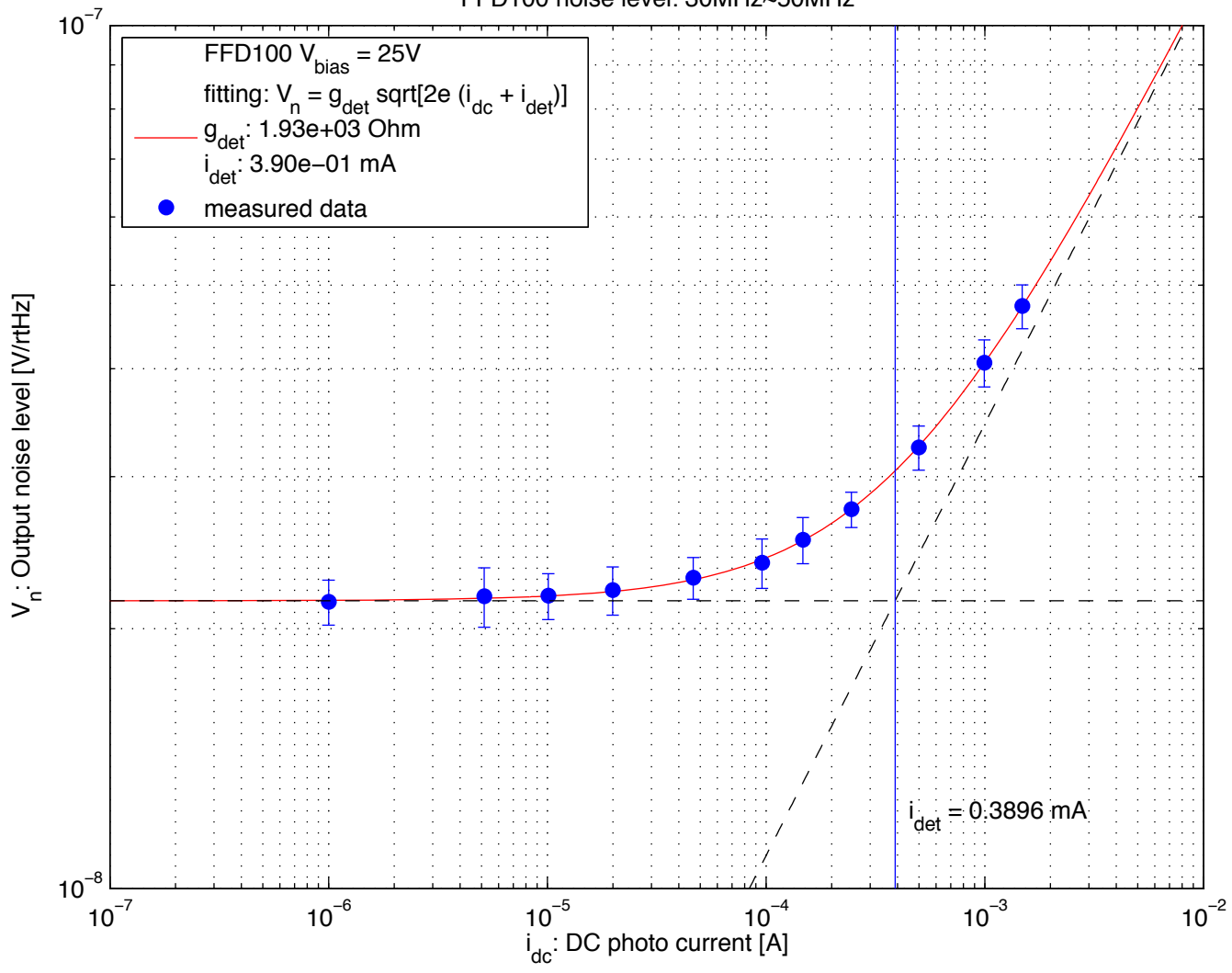
FFD100/S3399 25V<sub>bias</sub> (2011/5/23)



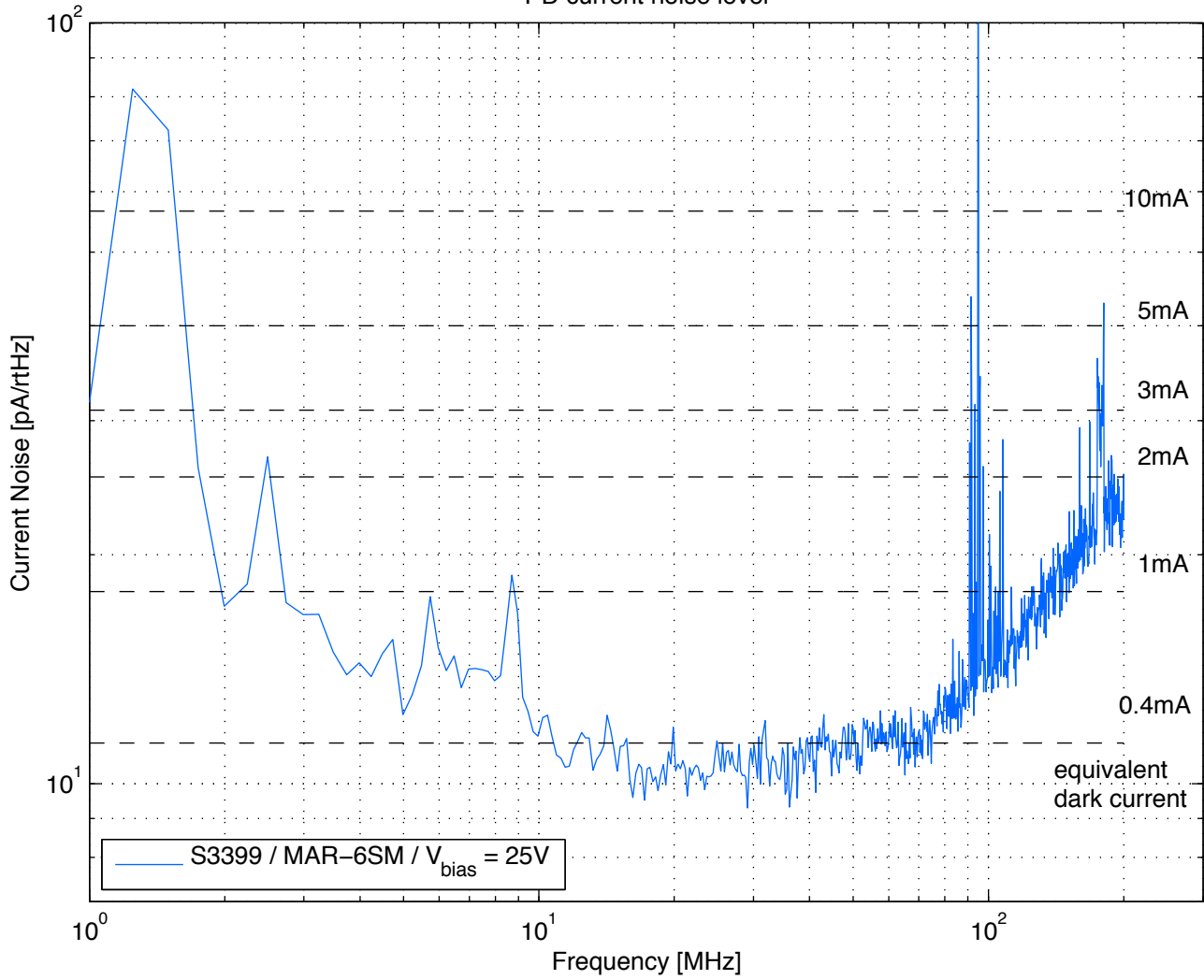
# PD current noise level



FFD100 noise level: 30MHz~50MHz



PD current noise level



## S3399 noise level: 30MHz~50MHz

