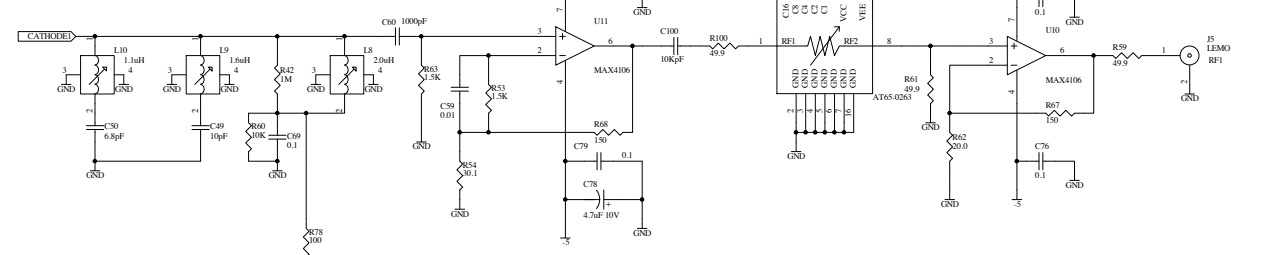
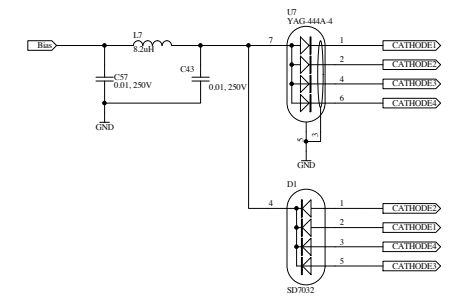
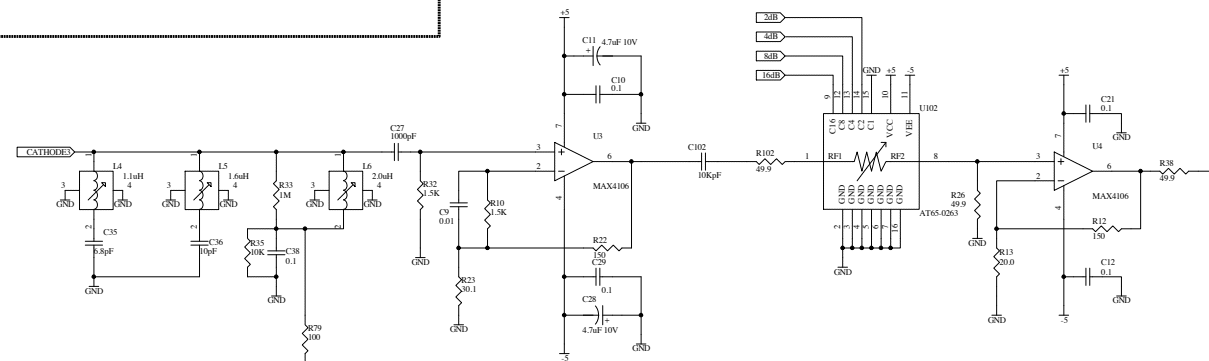


Note:  
 1. U7 is the WFS PD, D1 is the Bull's Eye PD. Only one is stuffed per board.  
 2. Note connections of the BEPD segments. Center= Cath 2, Seg 2= Cath 1, Seg 3= Cath 4, Seg 4= Cath 3.  
 3. Inductor values shown are for nominal 26.7MHz WFS PD. Other freq. and BE PDs require different values.  
 4. Inductor wound on cores w/ #32 enameled magnet wire.

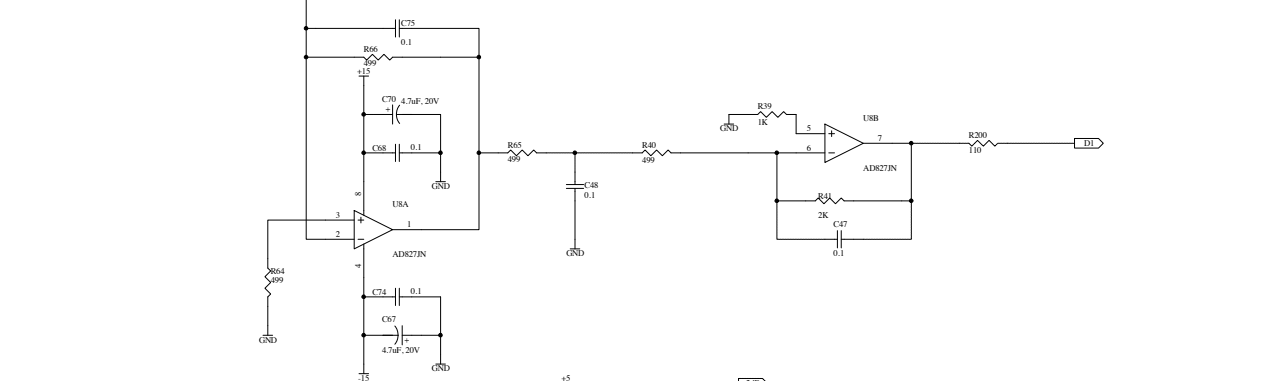
PD Type	Freq.	# of turns L8, L13, L6, L1	# of turns L9, L12, L5, L2	# of turns L10, L11, L4, L3
WFS	24.5	TBD	TBD	TBD
WFS	26.7	10	11	10
WFS	29.5	10.5	9.5	N/A
WFS	33.2	10	9.5	N/A
WFS	61.2	4.5	4.5	N/A
WFS	68.8	4	4	N/A
BE	24.5	TBD	TBD	TBD
BE	29.5	9.5, L13=11	9, L12=10.5	TBD
BE	61.2	TBD	TBD	TBD
BE	68.8	TBD	TBD	TBD



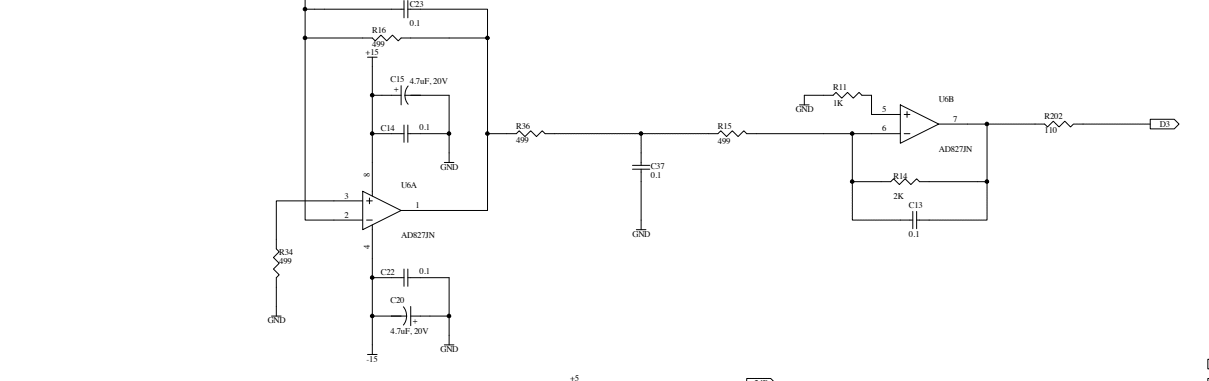
For BE PD R63=7K, R54=17.4, R62=10



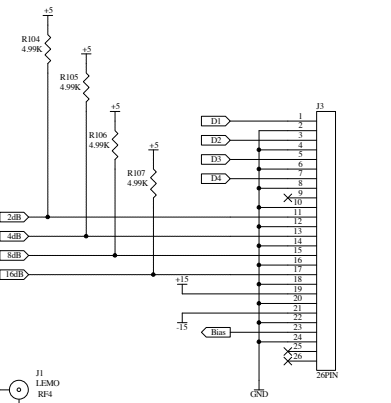
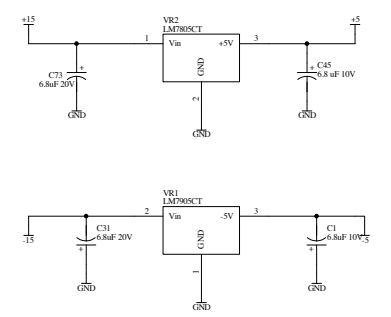
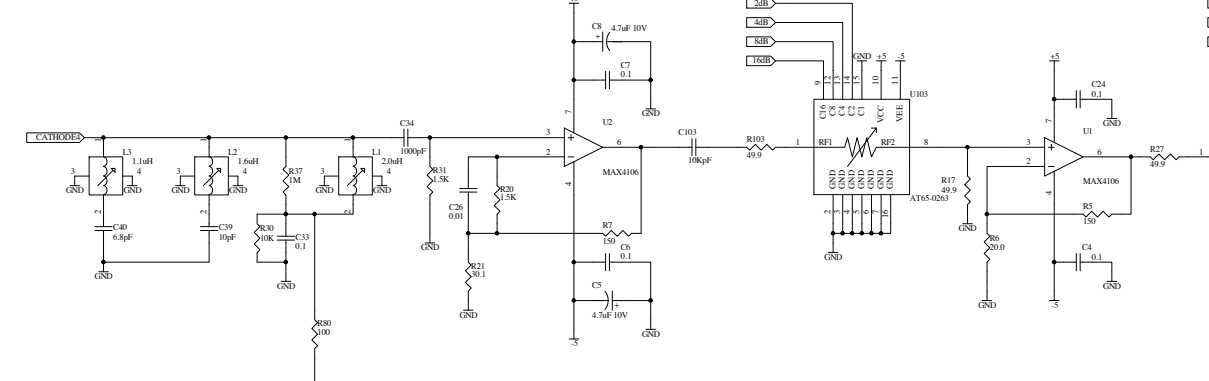
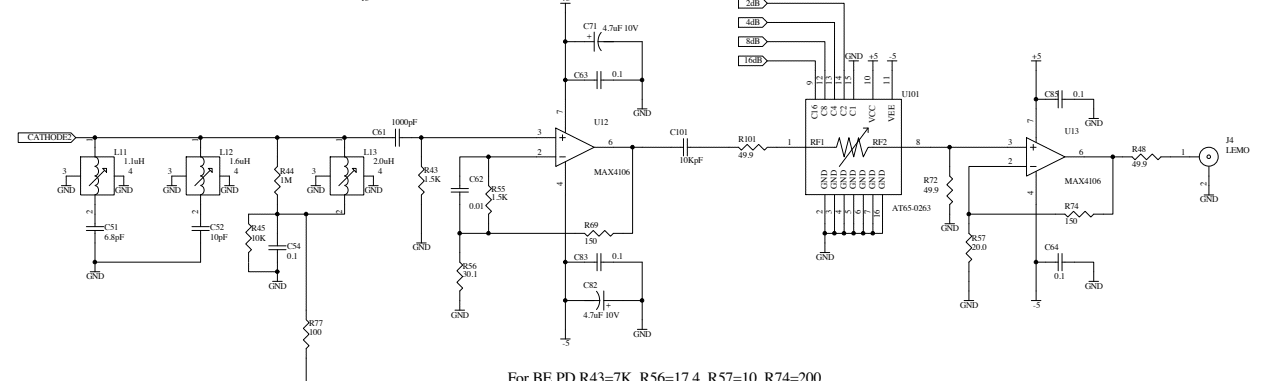
For BE PD R32=7K, R23=17.4, R3=10



For BE PD R43=7K, R56=17.4, R57=10, R74=200



For BE PD R31=7K, R21=17.4, R6=10



DB25 CONNECTOR MOUNTED ON SIDE OF PD BOX. CONNECTED TO IDC 26 PIN CONNECTOR MOUNTED ON BOARD VIA MASS TERMINATION CABLE.

Pin designations as follows:

Name	IDC Pin #	25 D pin #
D1	1	1
GND	2	14
D2	3	2
GND	4	15
D3	5	3
GND	6	16
D4	7	4
GND	8	17
N/C	9	5
GND	10	18
SW1	11	6
GND	12	19
SW2	13	7
GND	14	20
SW3	15	8
GND	16	21
SW4	17	9
GND	18	22
+12	19	10
GND	20	23
-12	21	11
GND	22	24
Bias	23	12
GND	24	25
N/C	25	13
N/C	26	N/A

Rev	Description	Date
A	Initial Release	11/99
B	1. Change C15, C17, C19, C20, C56, C67, C70, C72 to 4.7uF, 20VDC capacitors 2. Add notes regarding coil turns versus frequency.	5/02