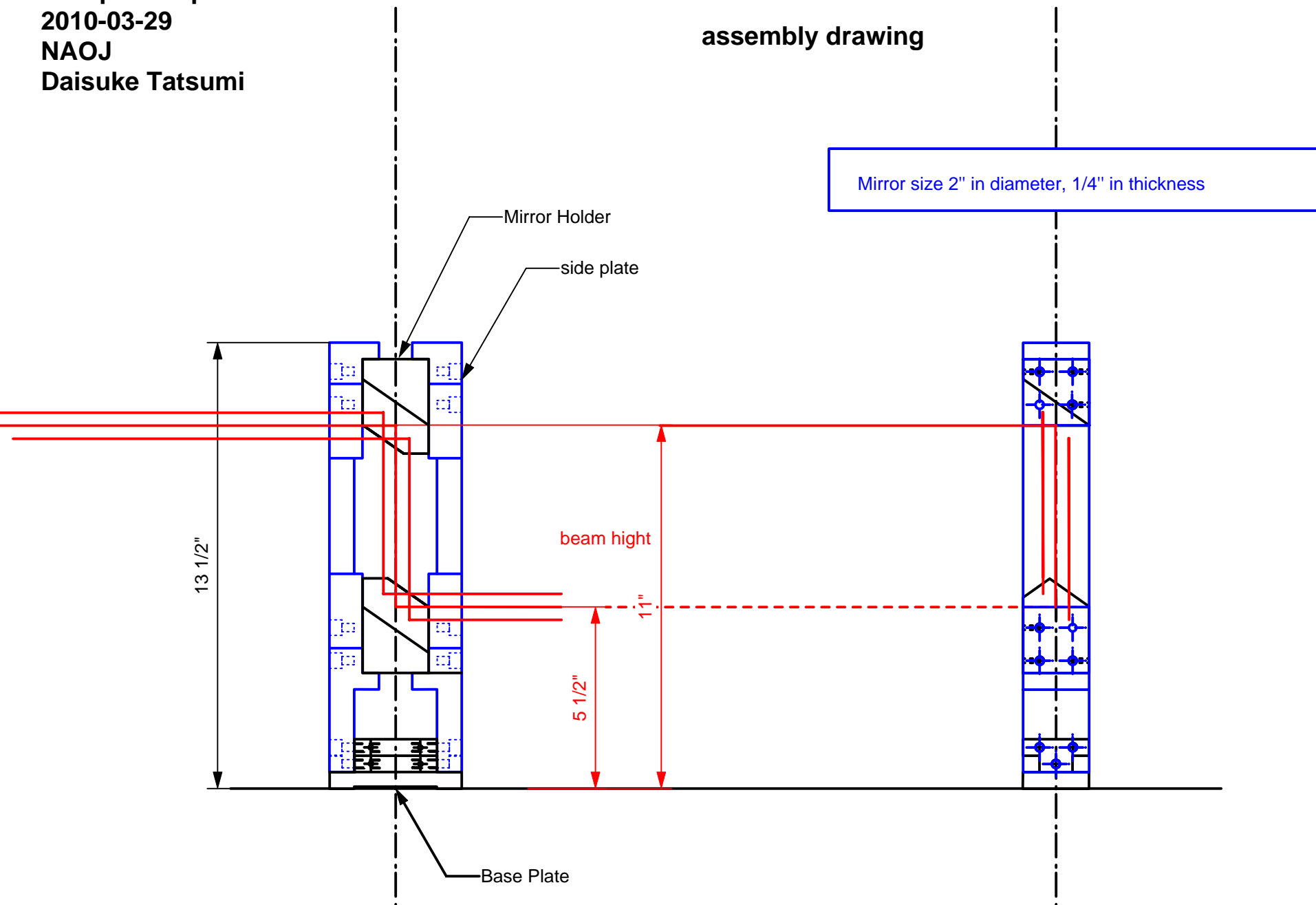


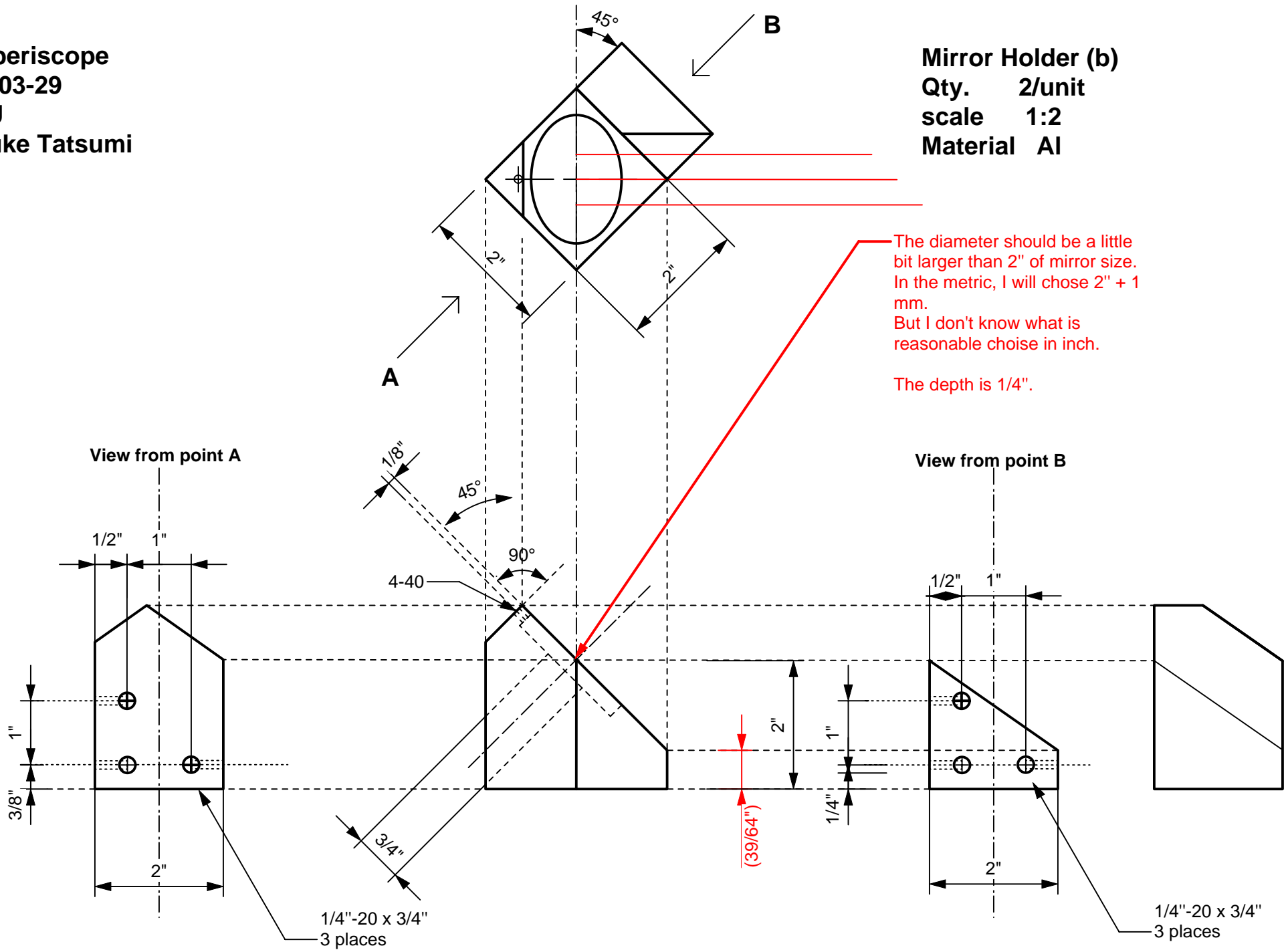
40m periscope
2010-03-29
NAOJ
Daisuke Tatsumi

assembly drawing



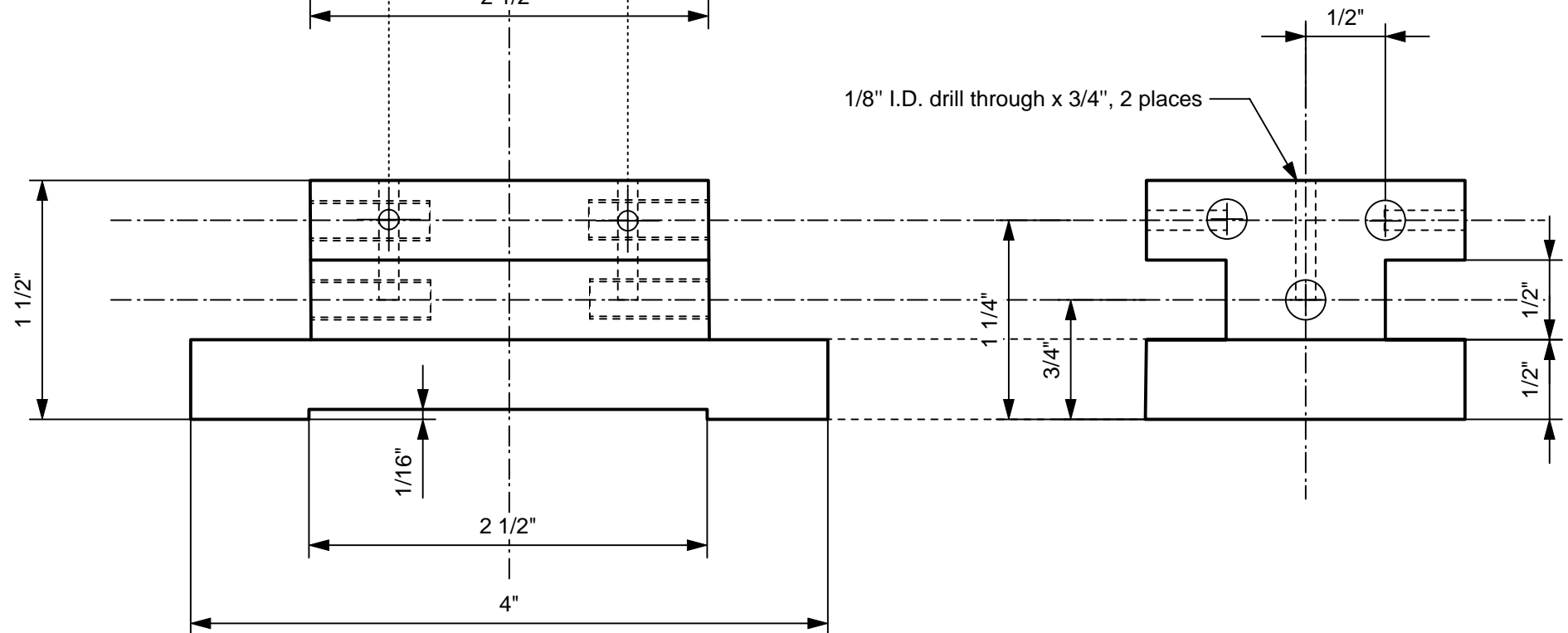
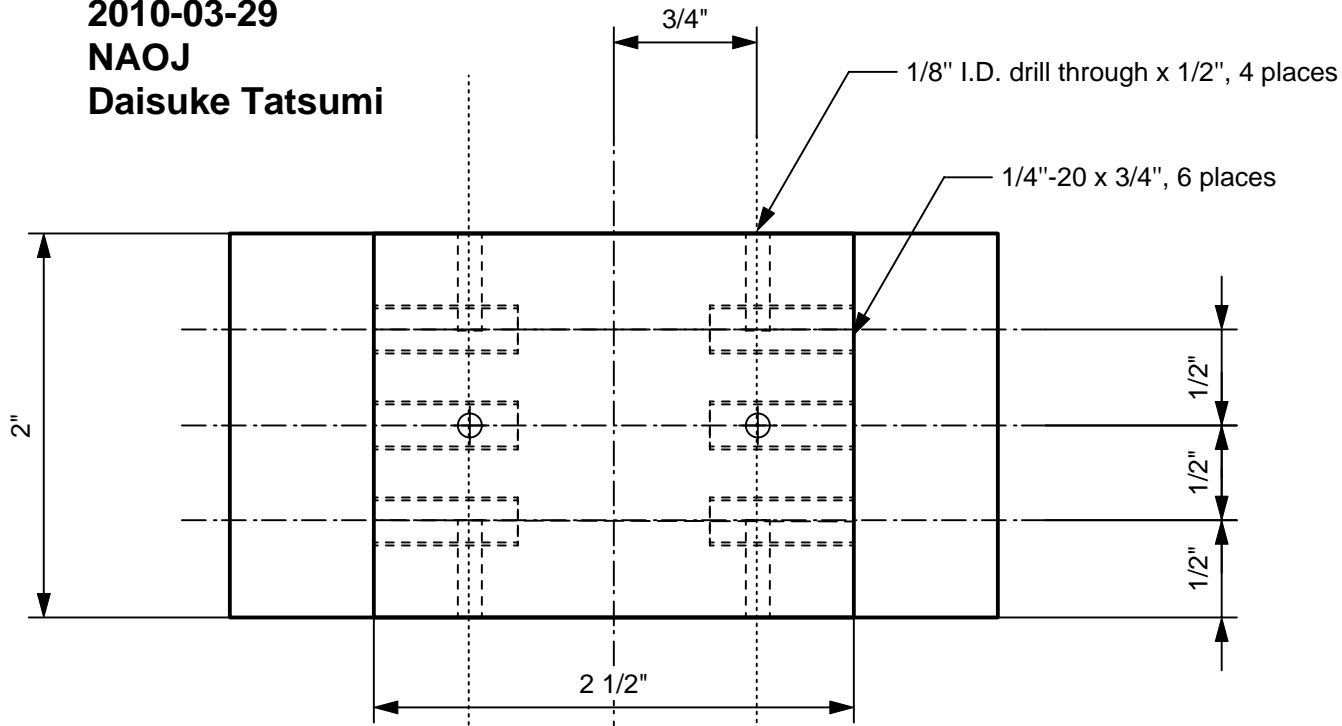
40m periscope
 2010-03-29
 NAOJ
 Daisuke Tatsumi

Mirror Holder (b)
 Qty. 2/unit
 scale 1:2
 Material Al

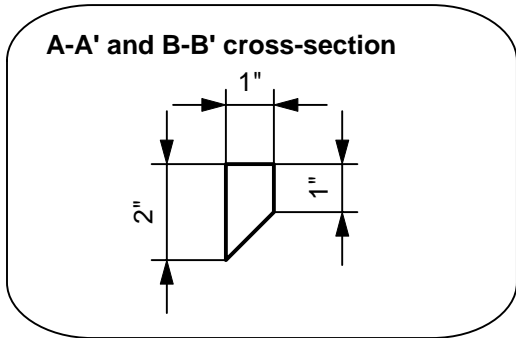


40m periscope
2010-03-29
NAOJ
Daisuke Tatsumi

Base plate
Qty. 1/unit
scale 1:1
Material Al

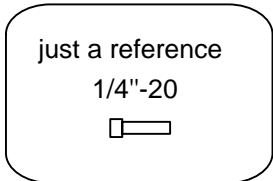


40m periscope
 2010-03-29
 NAOJ
 Daisuke Tatsumi



A horizontal flipped side plate is also needed.

Side plate
 Qty. 1/unit
 scale 1:4
 Material Al



15/32" x 3/4" - 5/8" I.D. drill through
 11 places

