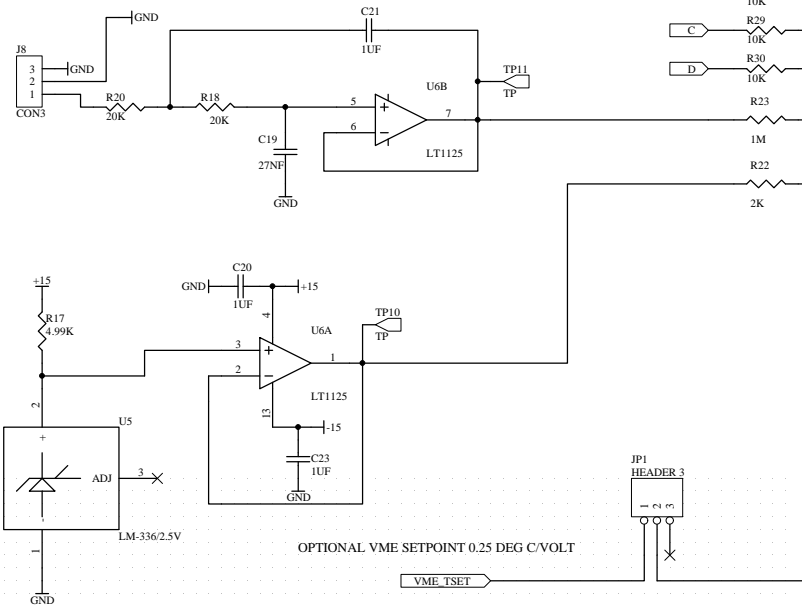


TIDAL INPUT 0.25 DEG C/VOLT

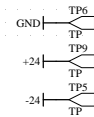


Change Summary:

- Needs a resistor to ground (10K) on the tidal input so that it doesn't float up when not connected.

Notes:

- If the VME input is driven from a 16 bit DAC, a LSB change corresponds to a 306 uVolt change. This yields a 76.5 uC change in temperature of the reference cavity.



Note: On AD590 temperature sensor, the pin with the dot goes to +15V.

