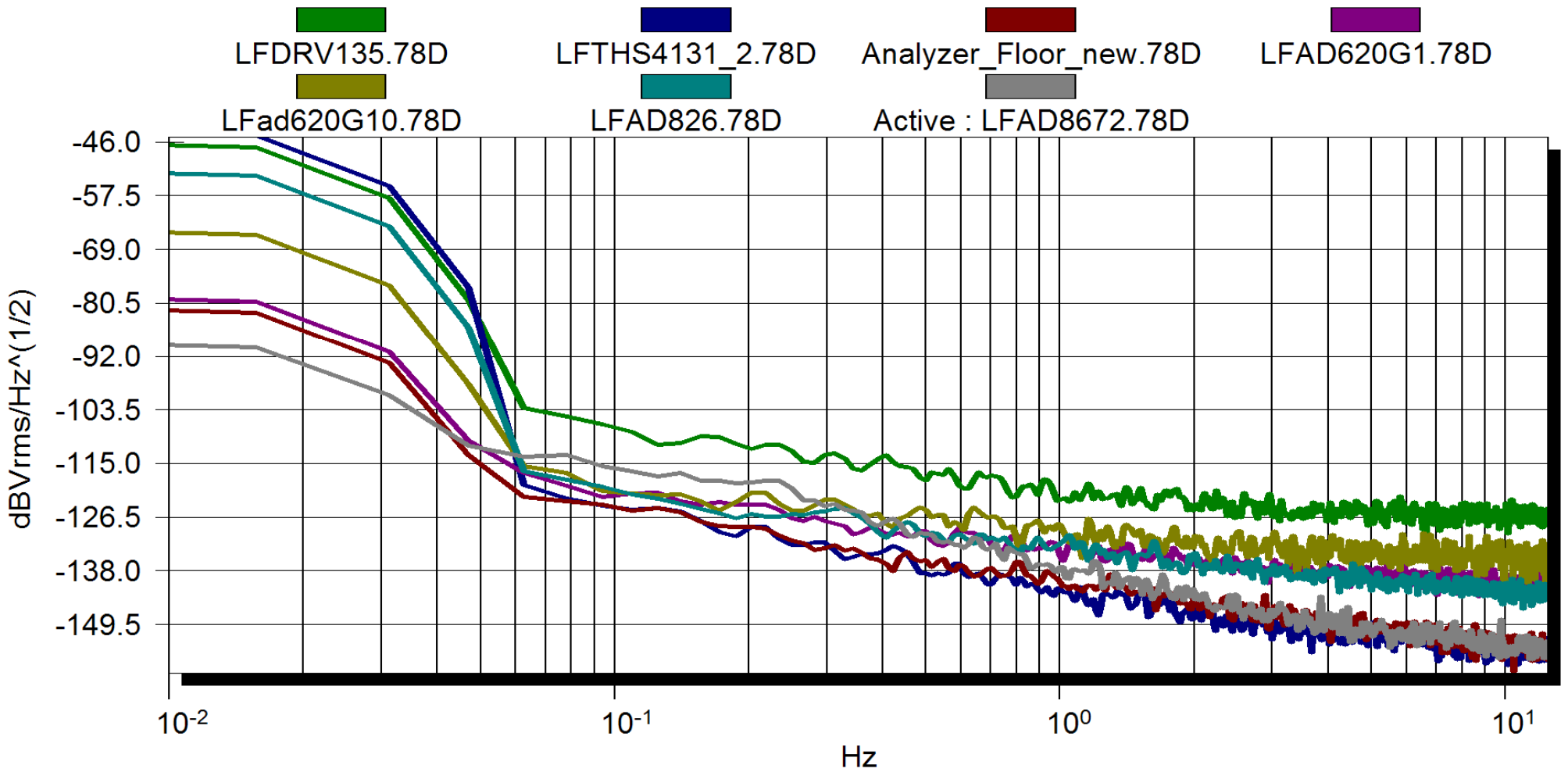
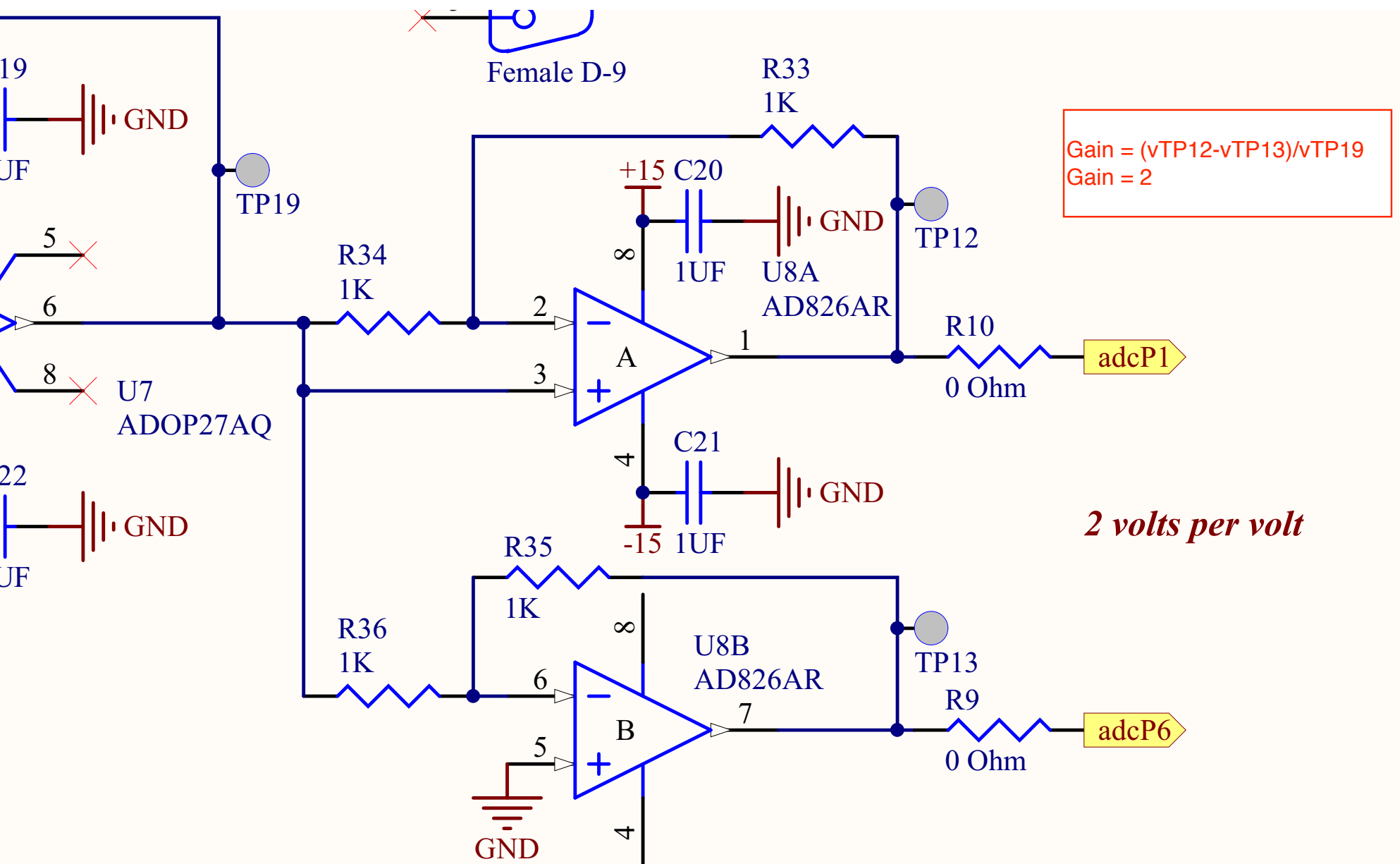


Output Noise of Opamps with Inputs Grounded

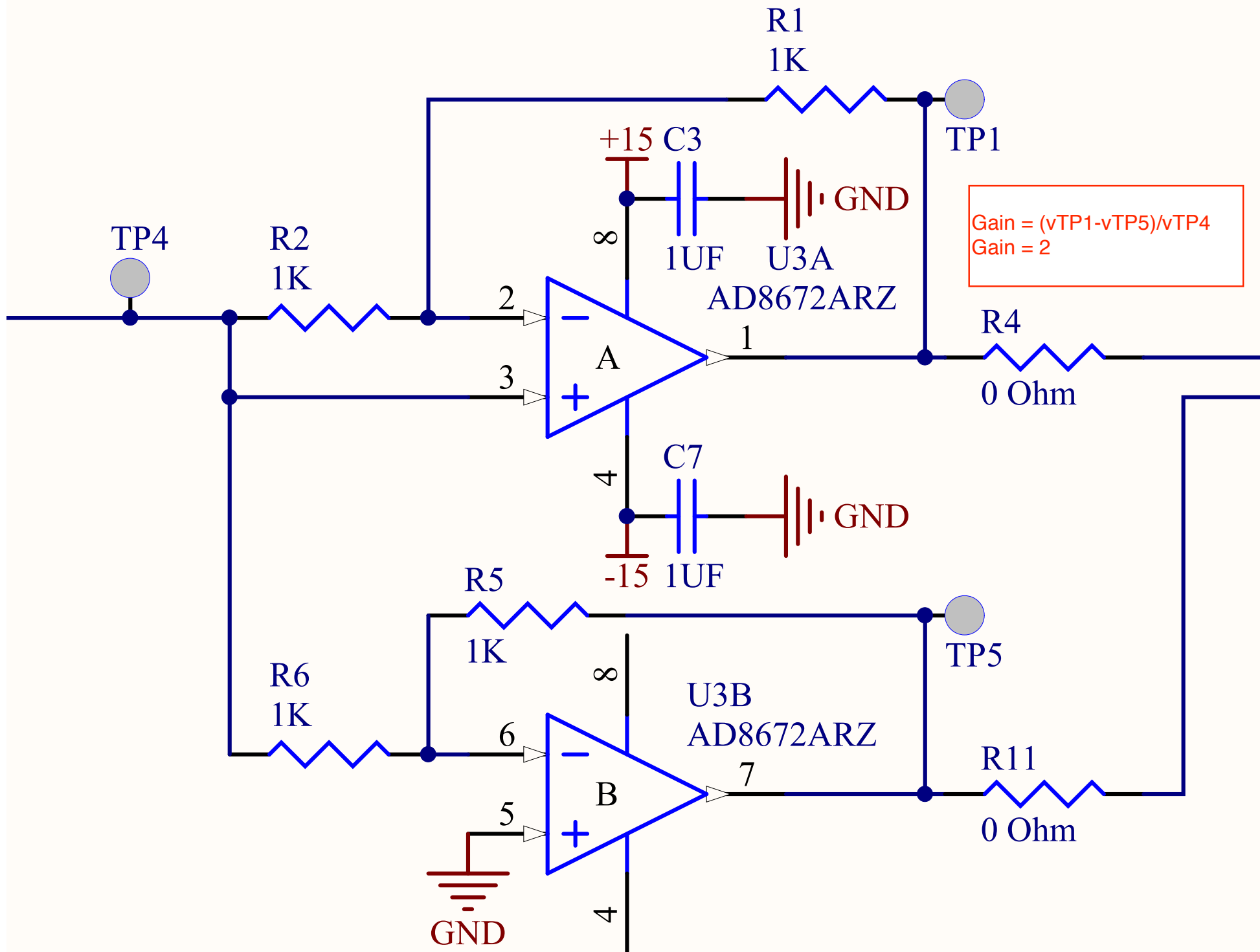
Gains: 4131=1, 826=2, DRV135=2, AD620G1=1, G10=10



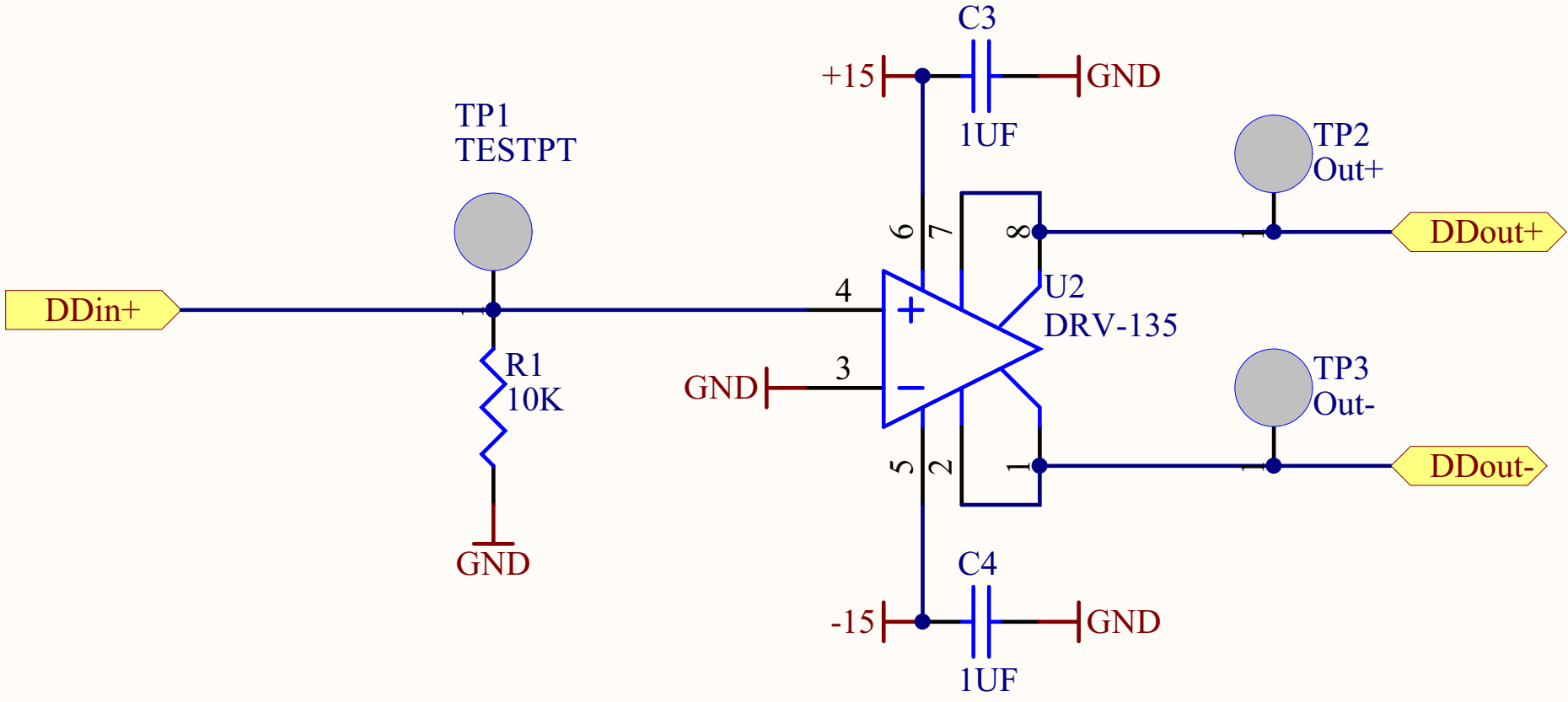


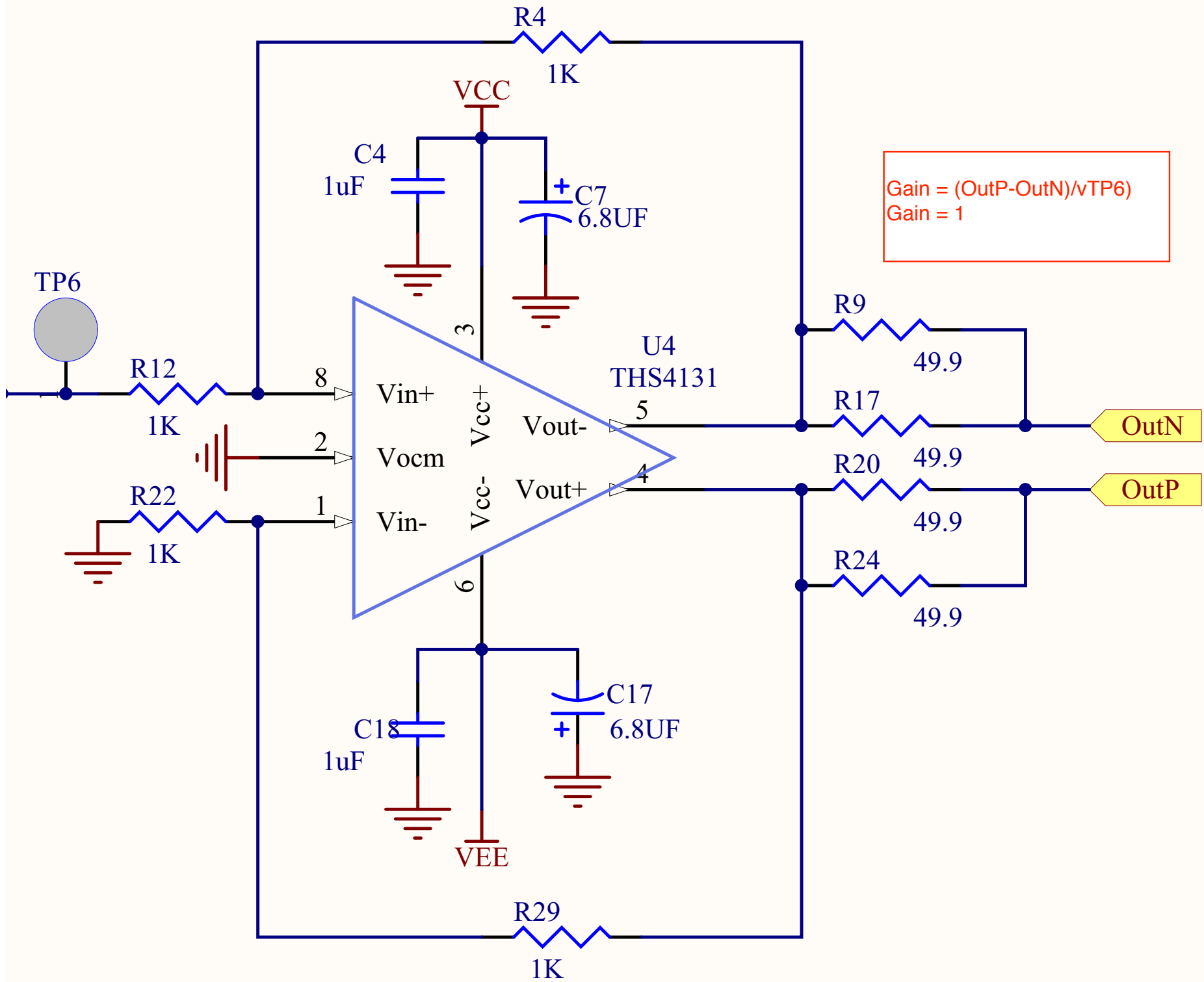
Gain = $(v_{TP12} - v_{TP13}) / v_{TP19}$
 Gain = 2

2 volts per volt



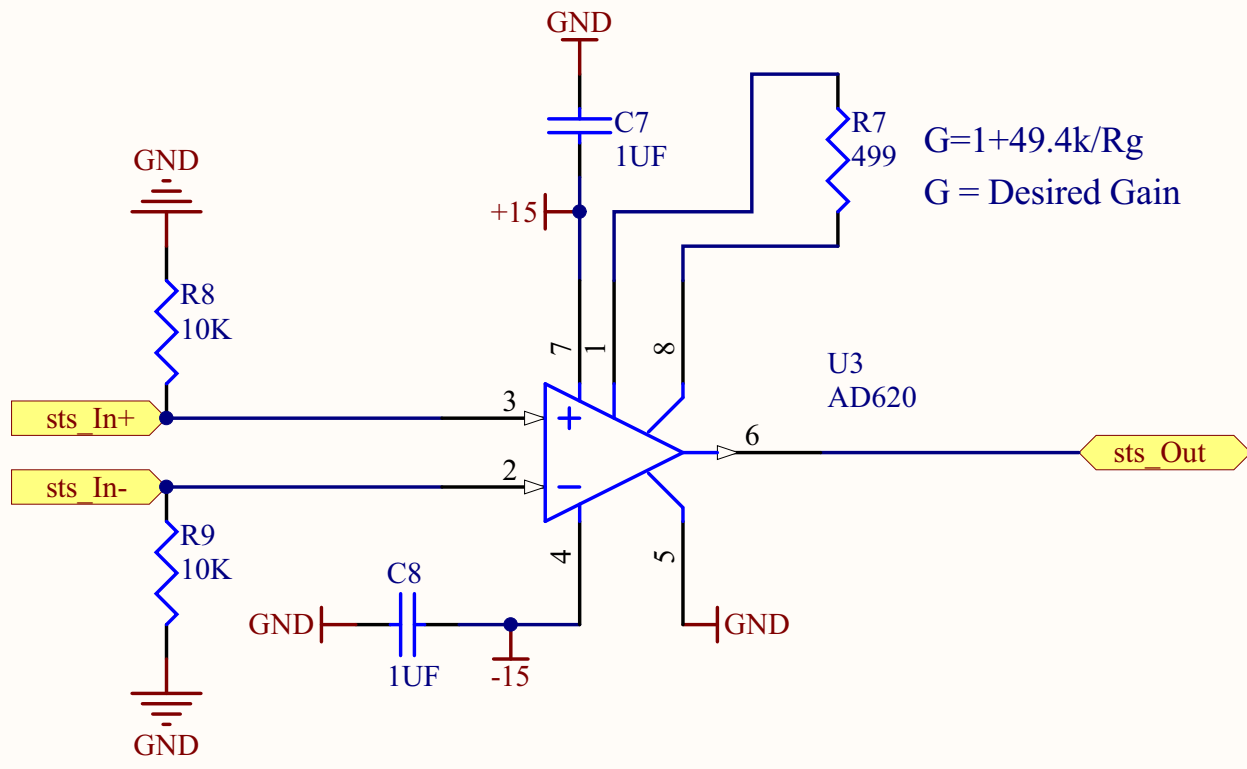
Gain = (vTP2-vTP3)/vTP1
Gain = 2





$$\text{Gain} = (\text{OutP} - \text{OutN}) / v_{\text{TP6}}$$

$$\text{Gain} = 1$$



$$G = 1 + 49.4k/R_g$$

G = Desired Gain