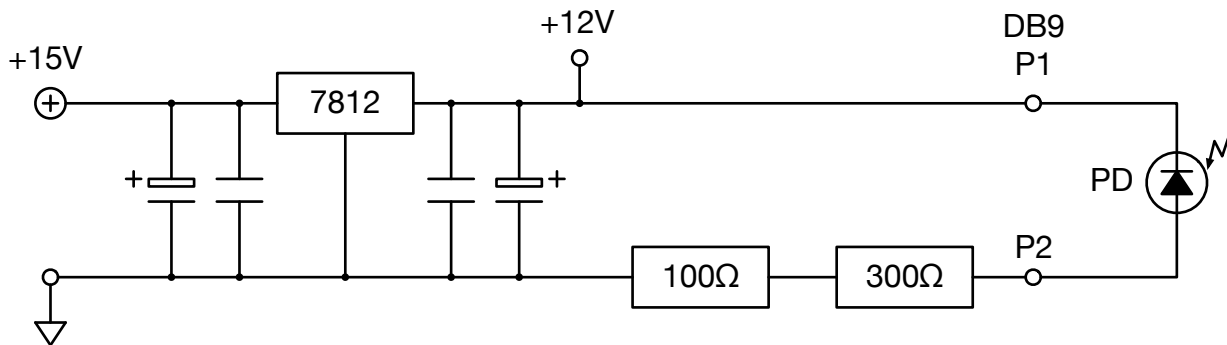


## A) Illumination setup



$$V_{p2} = 400 \times i_p$$
$$V_{pd} = 12 - 400 \times i_p$$

## B) Dark current / dark noise setup

