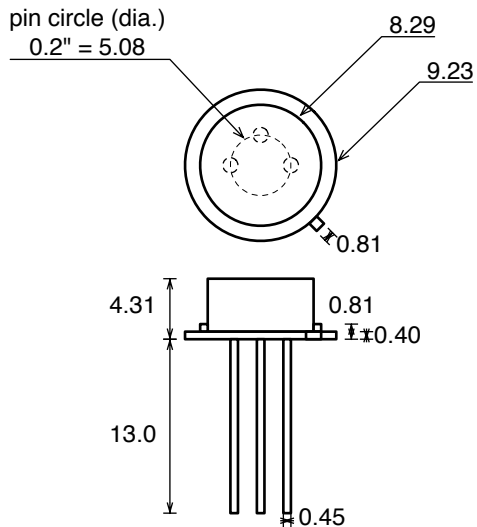
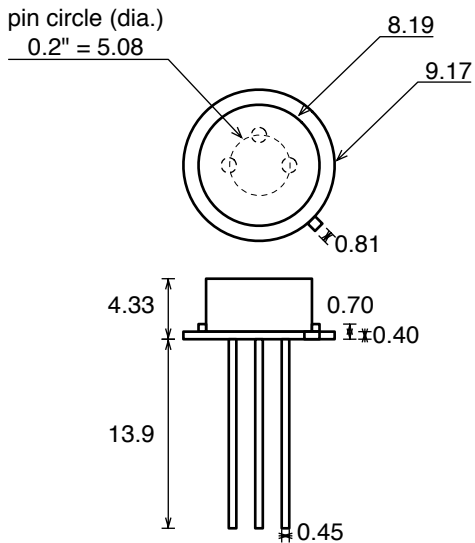


C30665



IGHQEX3000



Leg length
to be cut at ~11mm
from the cap

