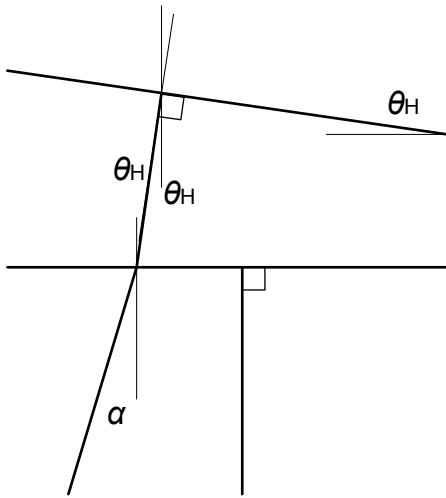


Horizontal wedge measurement



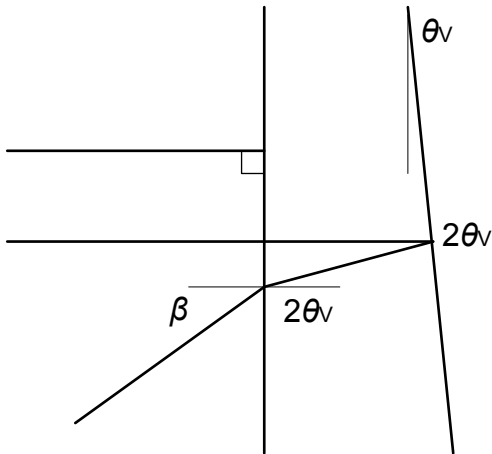
$$\theta_H = \arcsin[(\sin \alpha) / n]$$

wavelength = 500nm?

n=1.462

http://www.corning.com/docs/specialtymaterials/pisheets/H0607_hpfs_Standard_ProductSheet.pdf

Vertical wedge measurement



$$\beta = \arcsin[(\sin 2\theta_v) * n]$$

The reticle of the autocollimator shows half value of β as it corresponds to the angle how much the optics has to be rotated.