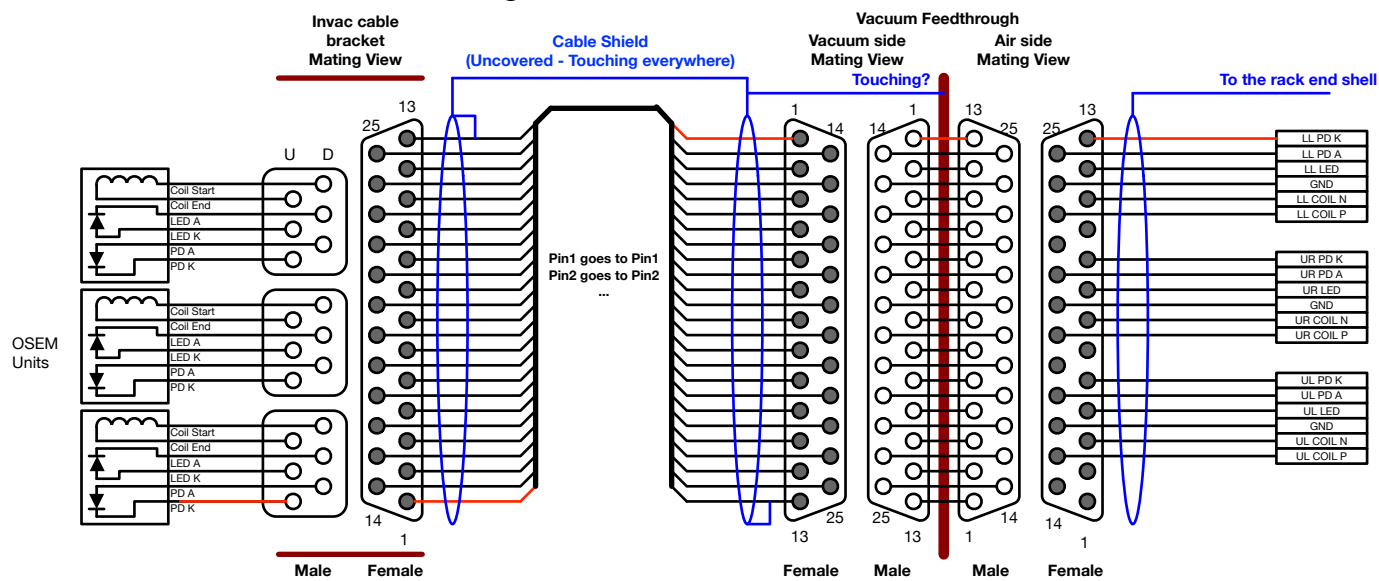
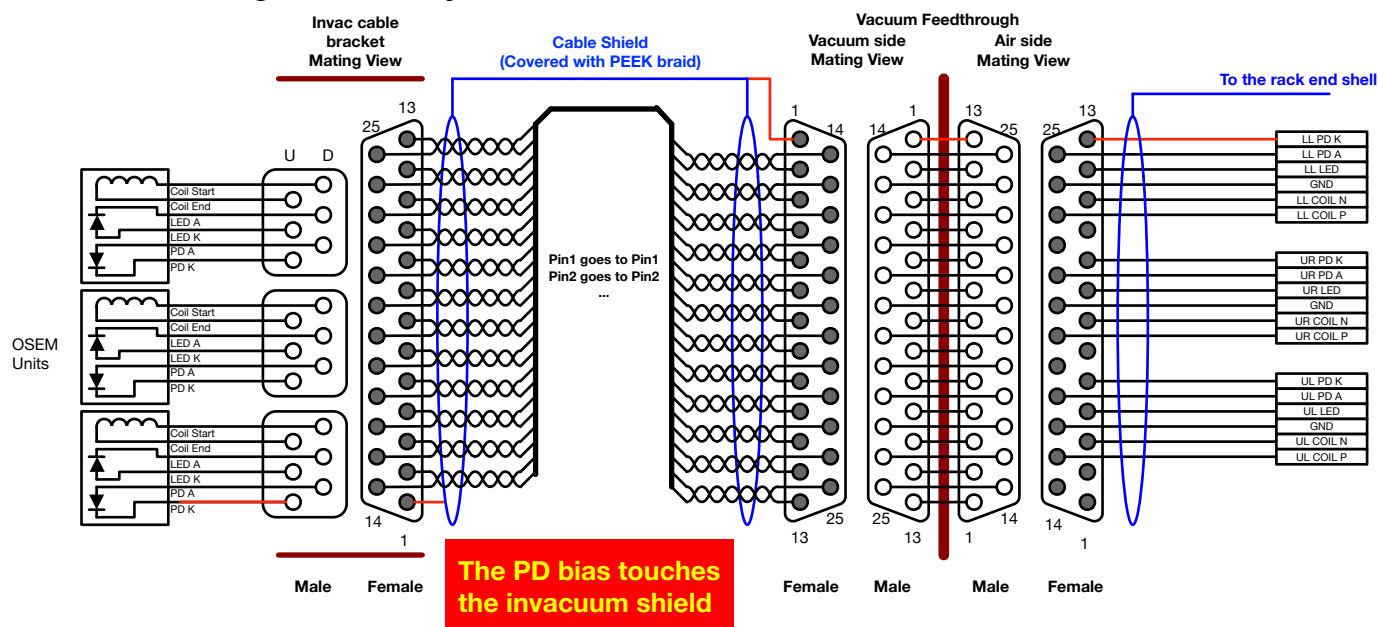


Traditional SOS In-Vacuum Wiring

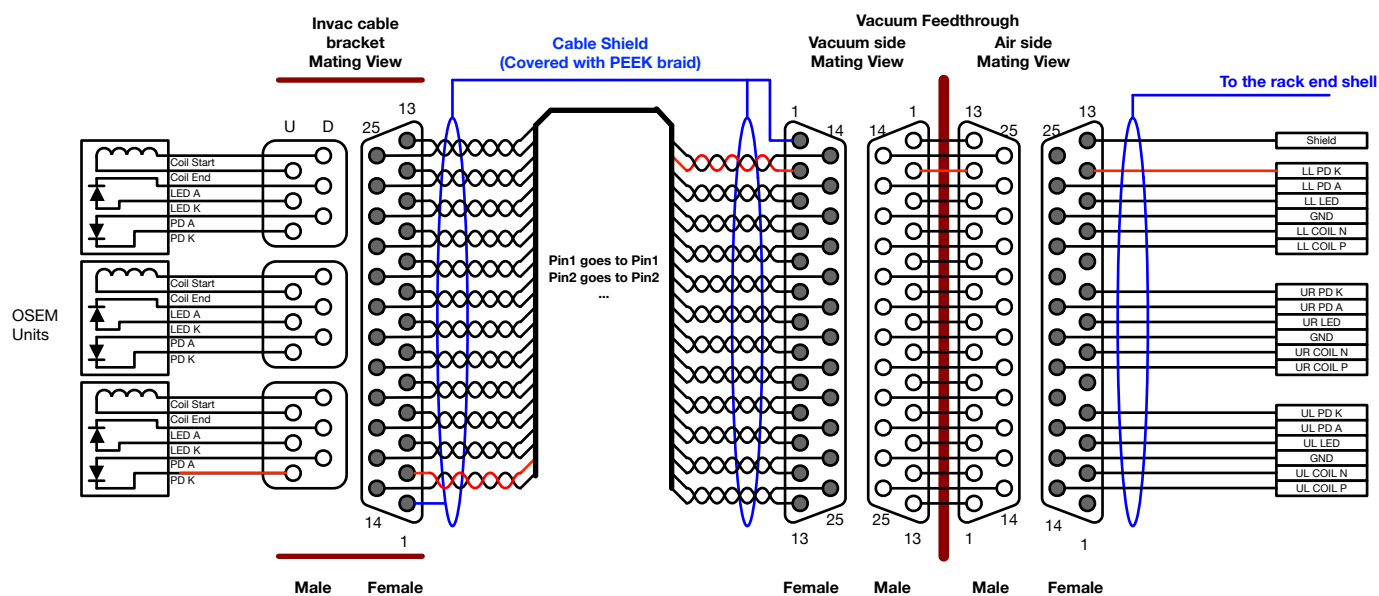


It is unclear if Pin13 (invac) is connected to the shield or not.
This elog claims so: <https://nodus.ligo.caltech.edu:8081/40m/7864>

Traditional Wiring + ALIGO style invacuum DB25 cable



Possible Solution: Shift OSEMs 1 pin



O The invacuum shield and the signals are isolated.
X The signal pairs are not on a same twisted paris.
 > Rotating the connectors does not help

Note for the custom in-air (feedthru - sat amp) cables:

- Pin13 of the custom cable should be connected to the shield.
- How much do we want to make the suspensions homogenous?
 - > We will not be able to switch to the new configuration until vent
 - > Then, it's probably safer to leave the old SOSs as they are
- It means that ...
 - > Custom cables for the old config. Min Qty 20
 - > Custom cables for the new config. Min Qty 14