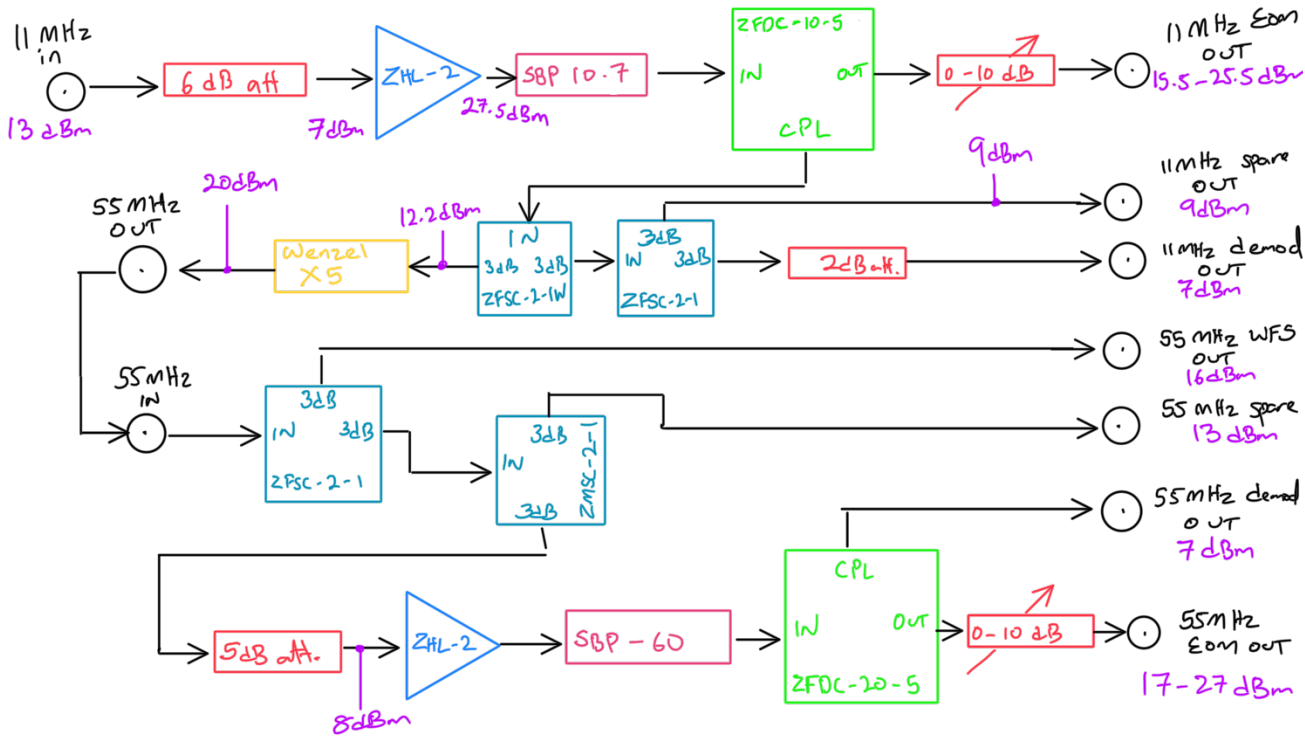



# 40m RF distribution unit



\* All numbers in purple were measured with GigaTronix RF power meter. A 20dB coupler was used to infer Powers > 20 dBm (limit of meter)

29.5 MHz Wenzel X-tal osc.  29.5 MHz out 13 dBm