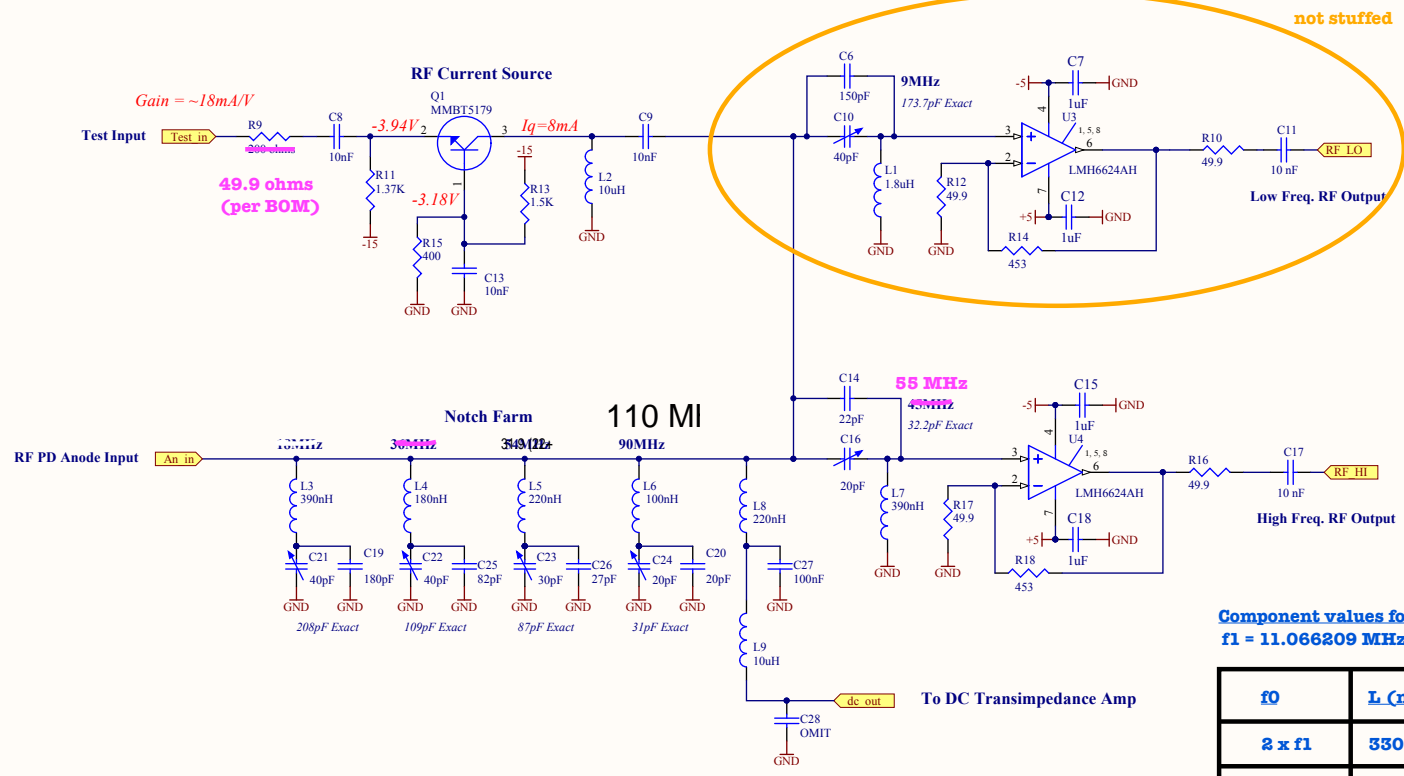


Values shown for 9/45 MHz. For component variations at different operating frequencies, see T1300199



not stuffed

Component values for 40m RF frequencies
 $f_1 = 11.066209 \text{ MHz}$, $f_2 = 5 * f_1$

f_0	L (nH)	C (pF)
$2 \times f_1$	330	157 (150+7)
$2 \times f_2$	82	25 (12 + 13)
$f_2 - f_1$	150	86 (68 + 18)
$f_2 + f_1$	180	31.9 (22+9)
f_2	330	25.1 (12+13.1)

* indicates notches that are stuffed

9/45 Design Corresponds to: C:\Rich's Files\LT Spice\PhotodiodeAnalysis\lsc_rfpds\alIGO_ASC_2011_9_45_ASC_v3.asc

Last Edited: 29 August 2013