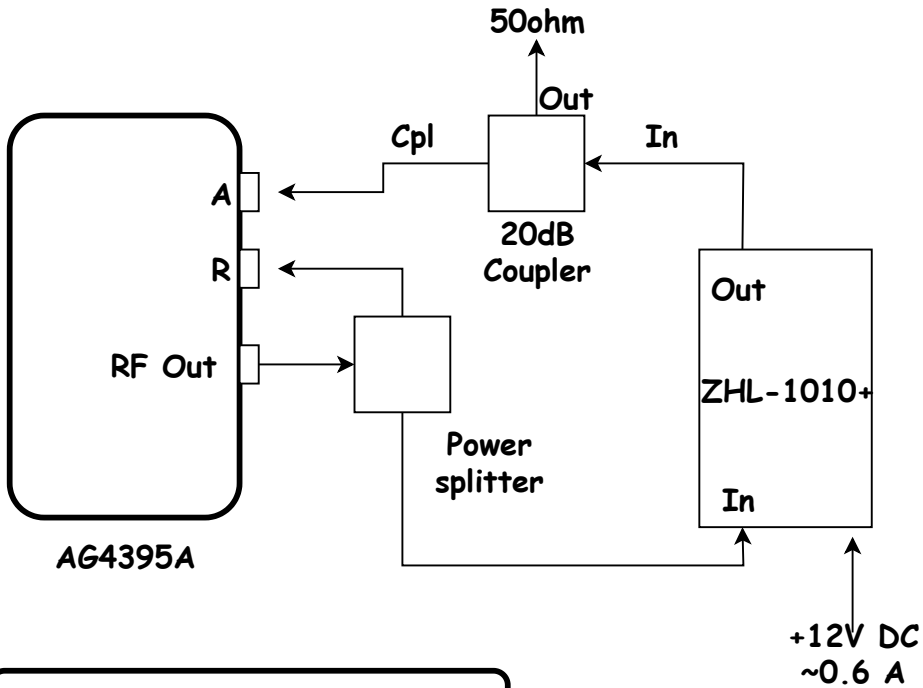


Transfer function measurement



Noise Measurement

