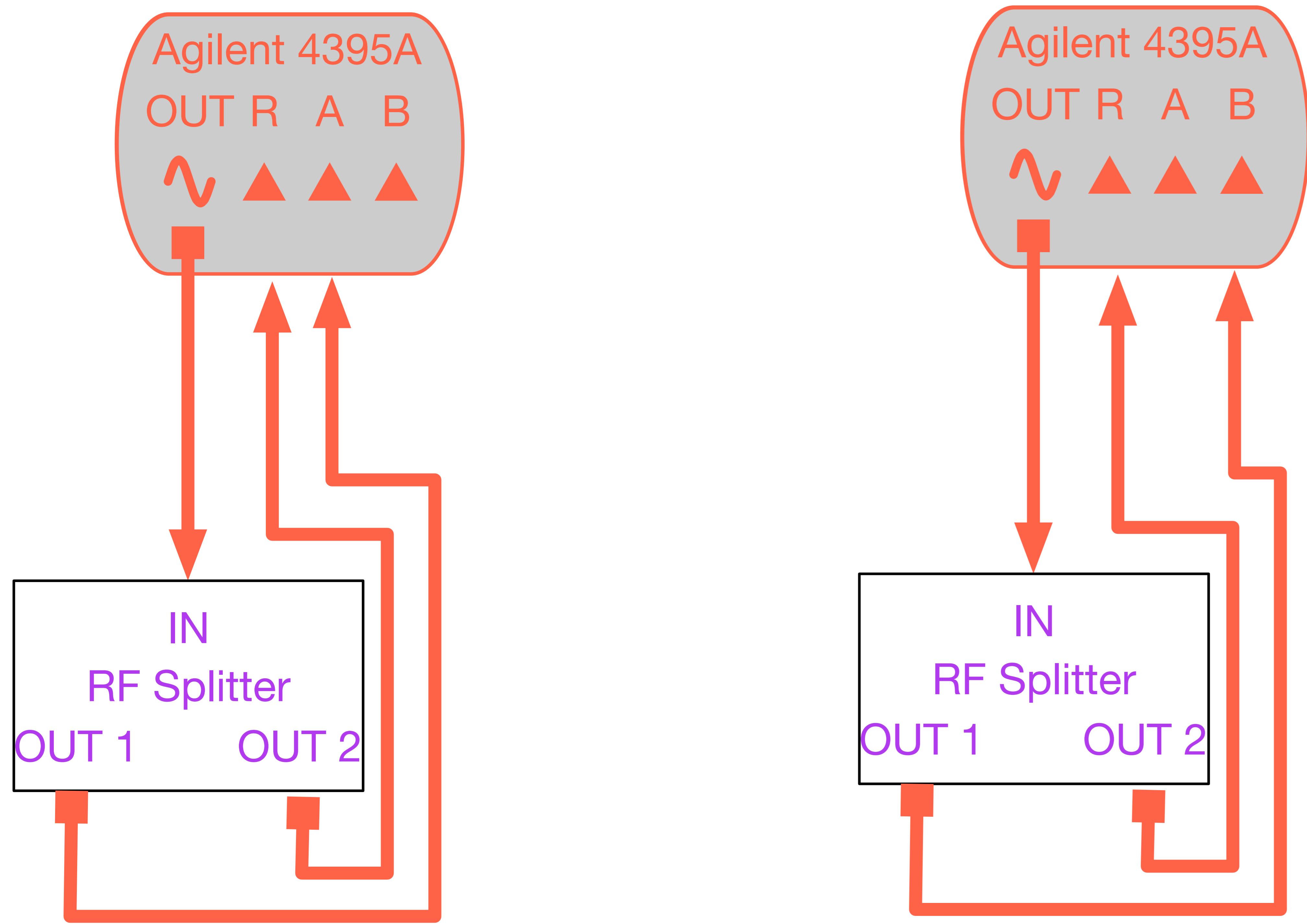
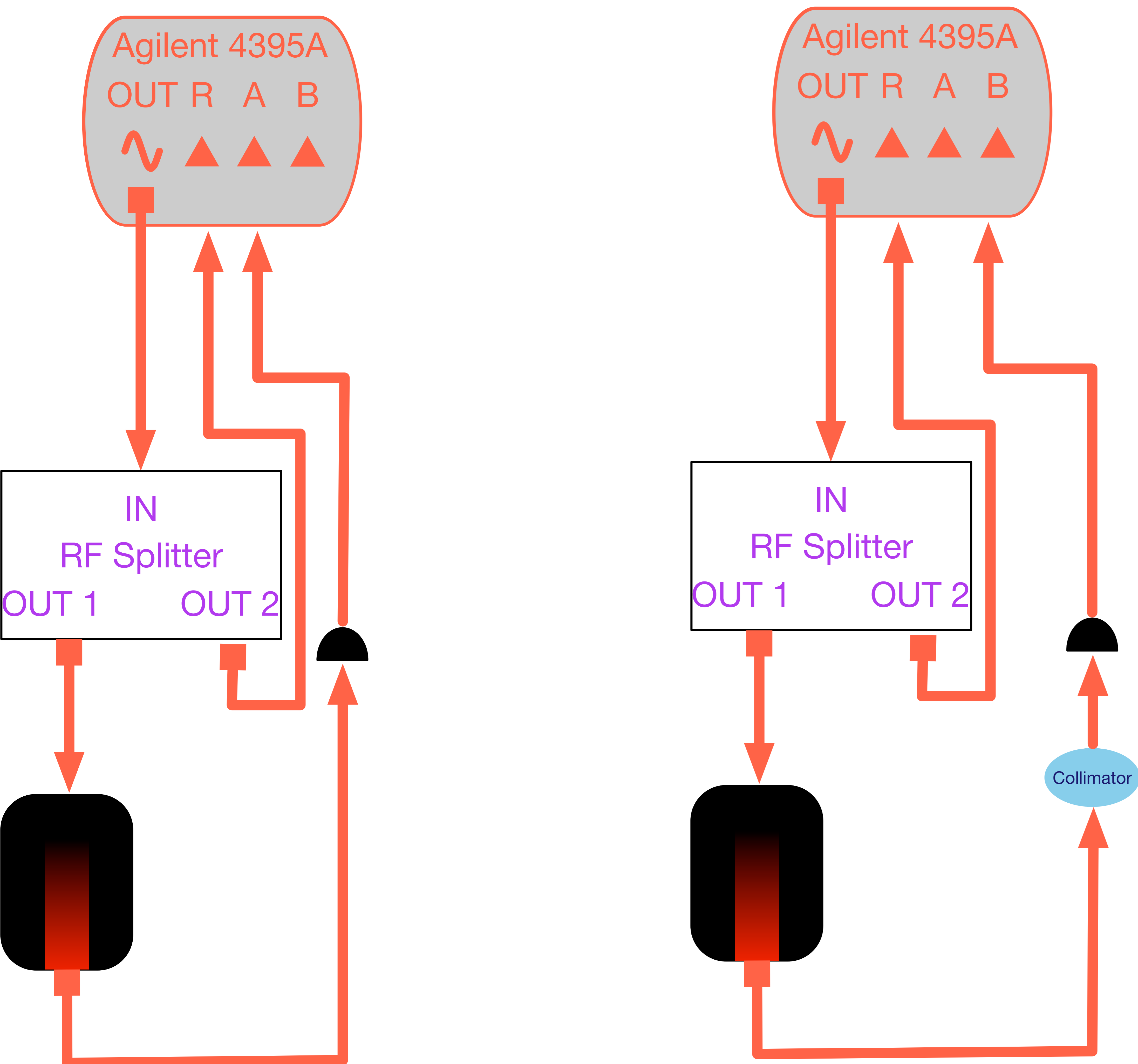


## Two 2-port devices

### Calibration

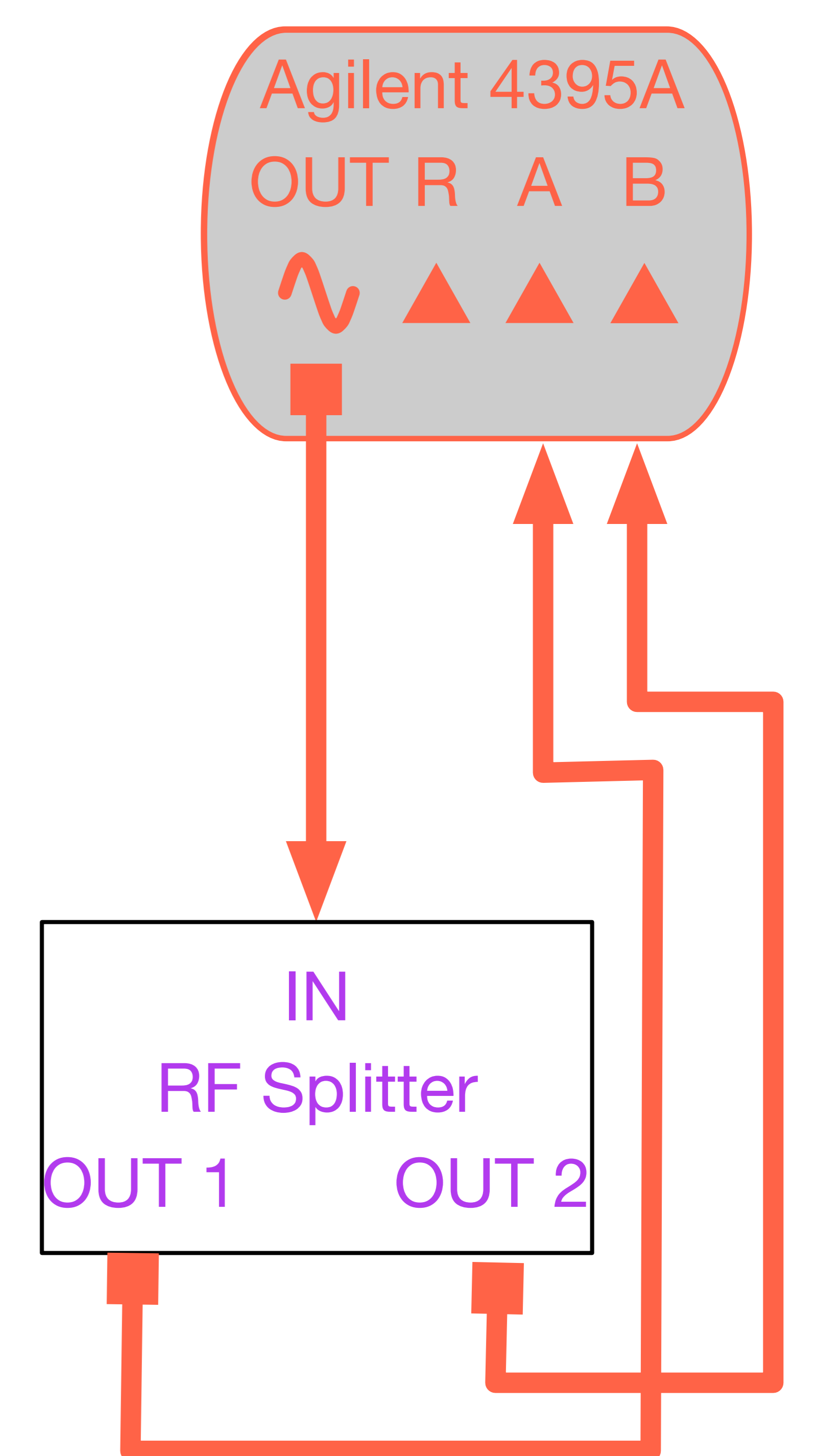


### Measurement



## One 3-port device

### Calibration



### Measurement

