

1

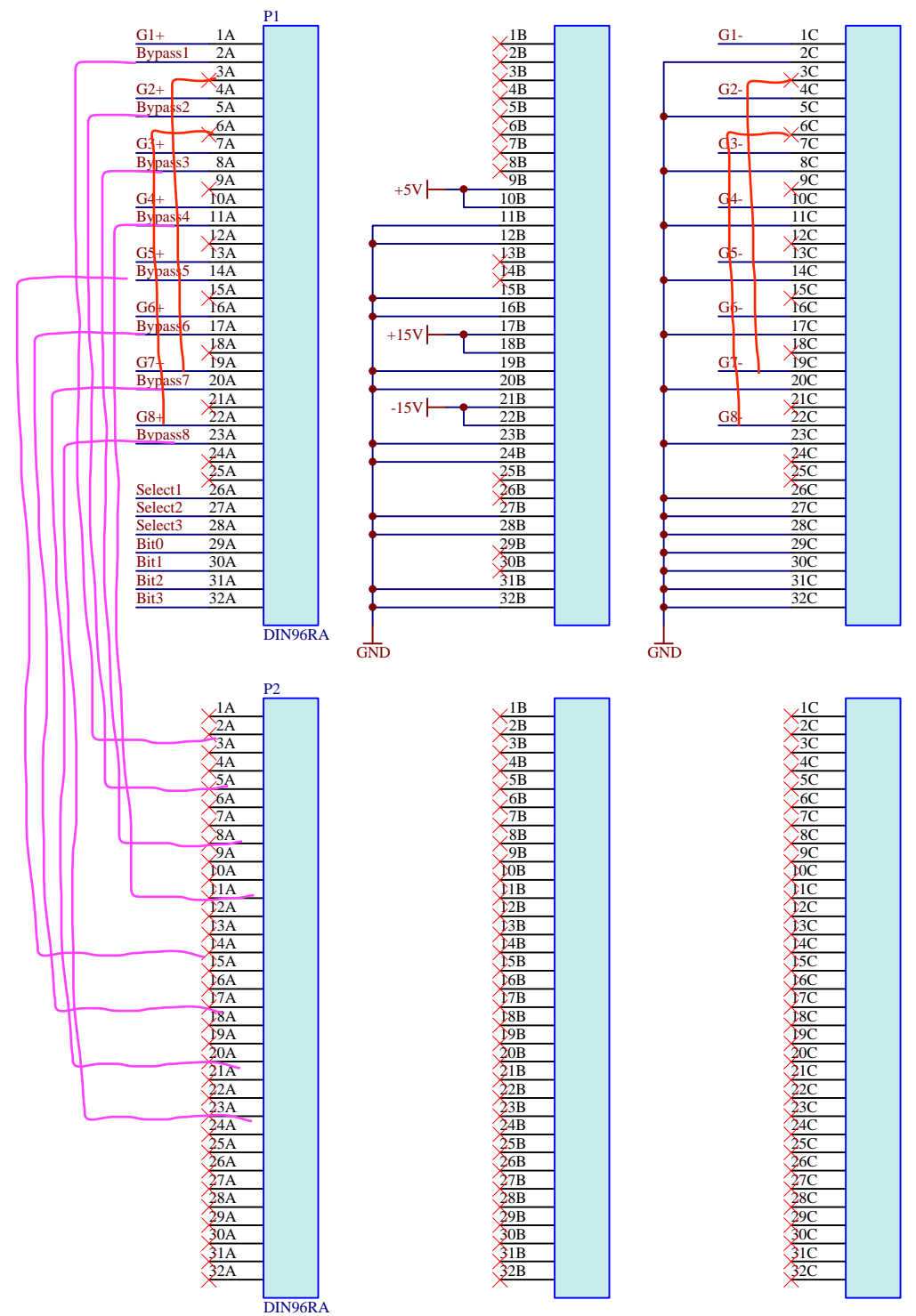
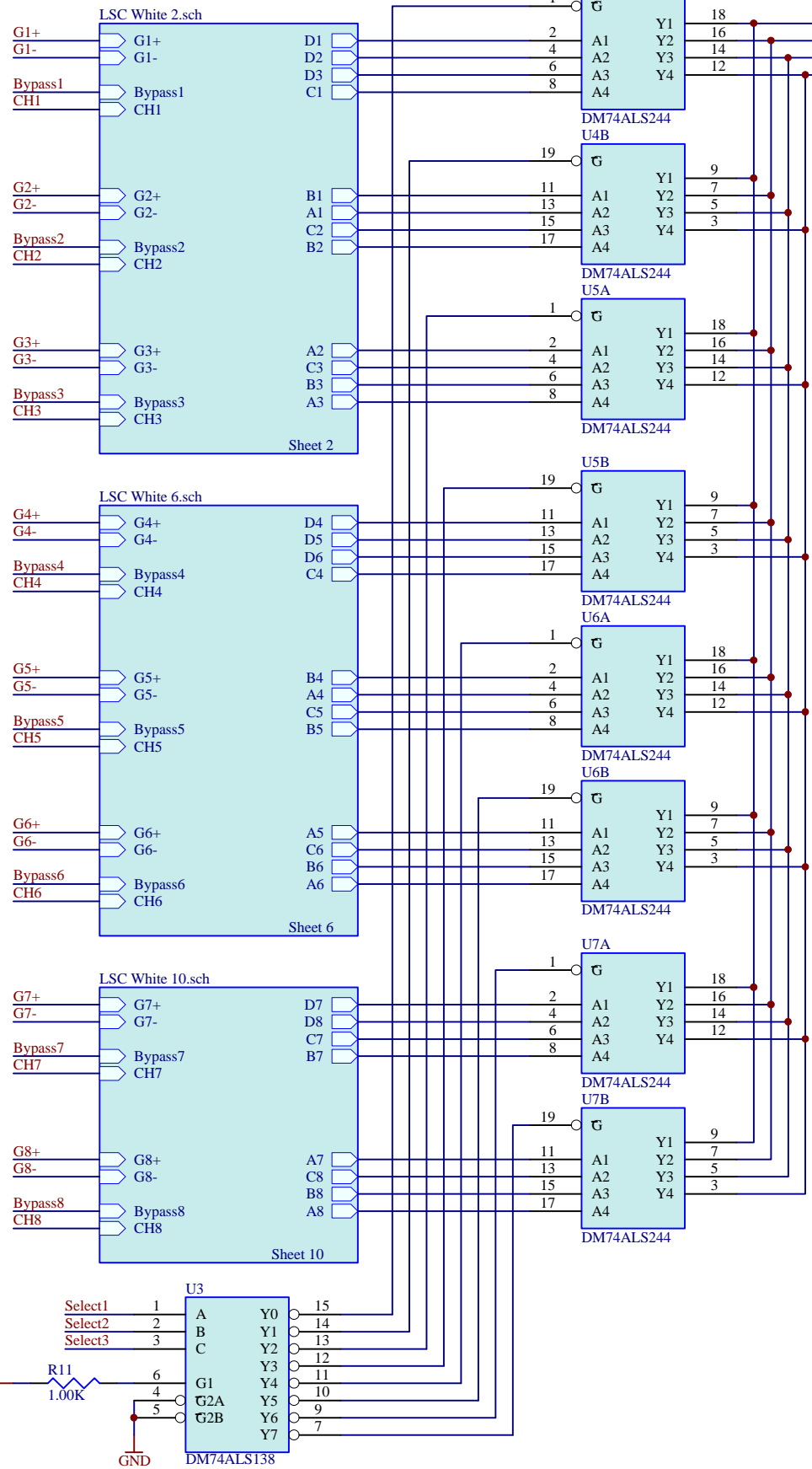
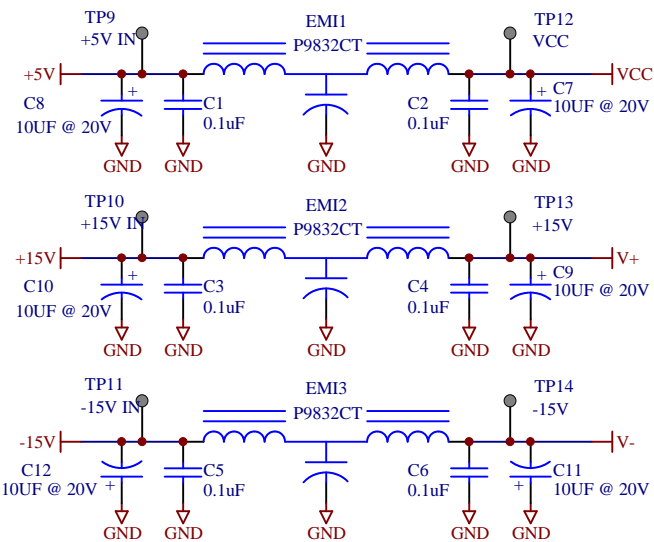
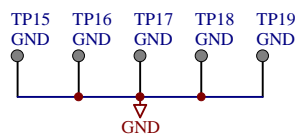
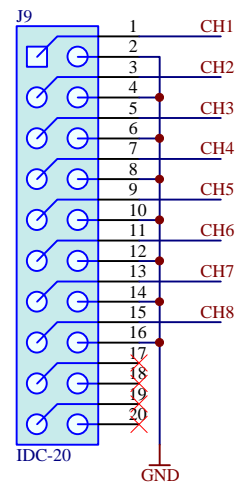
2

3

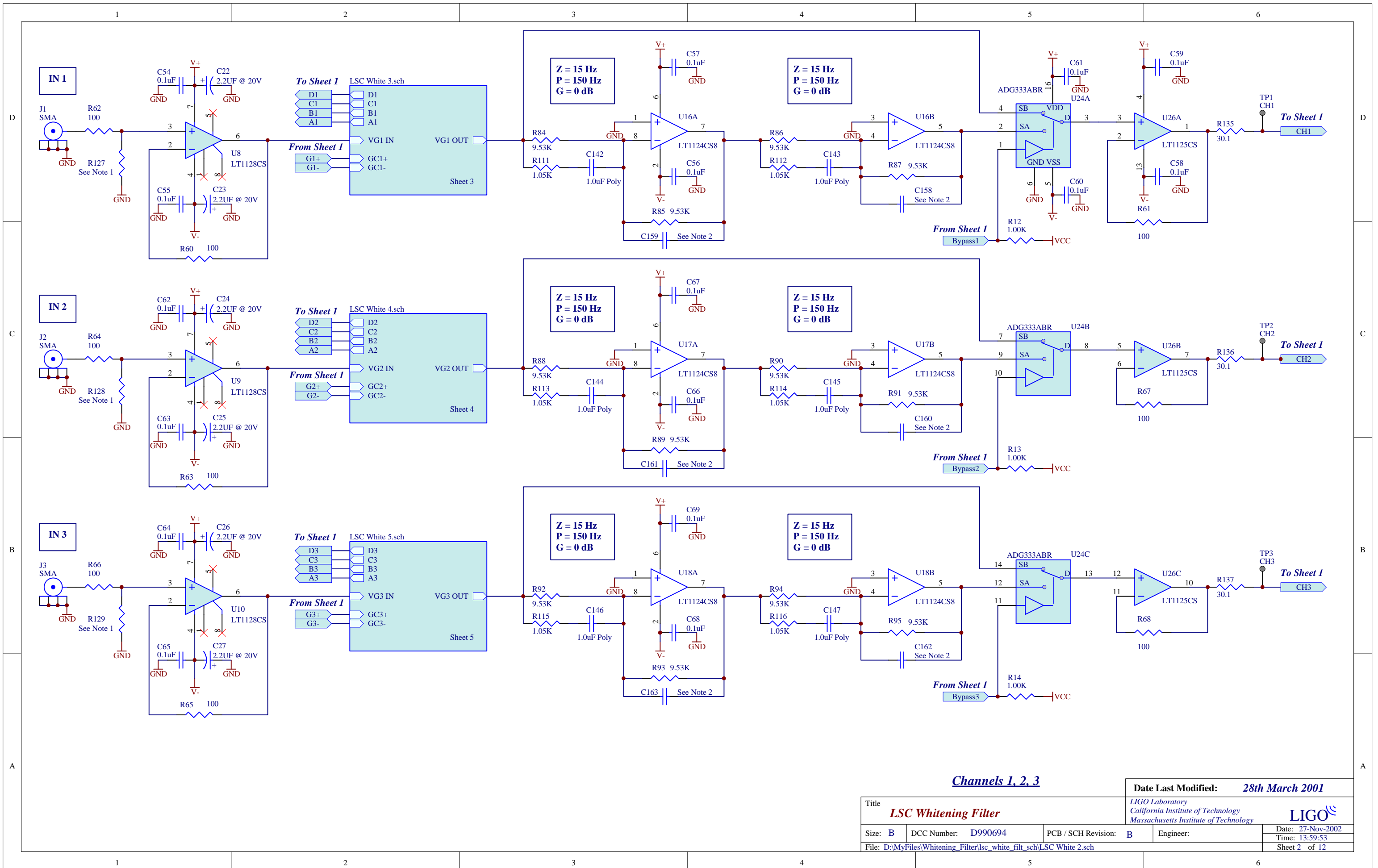
4

5

6



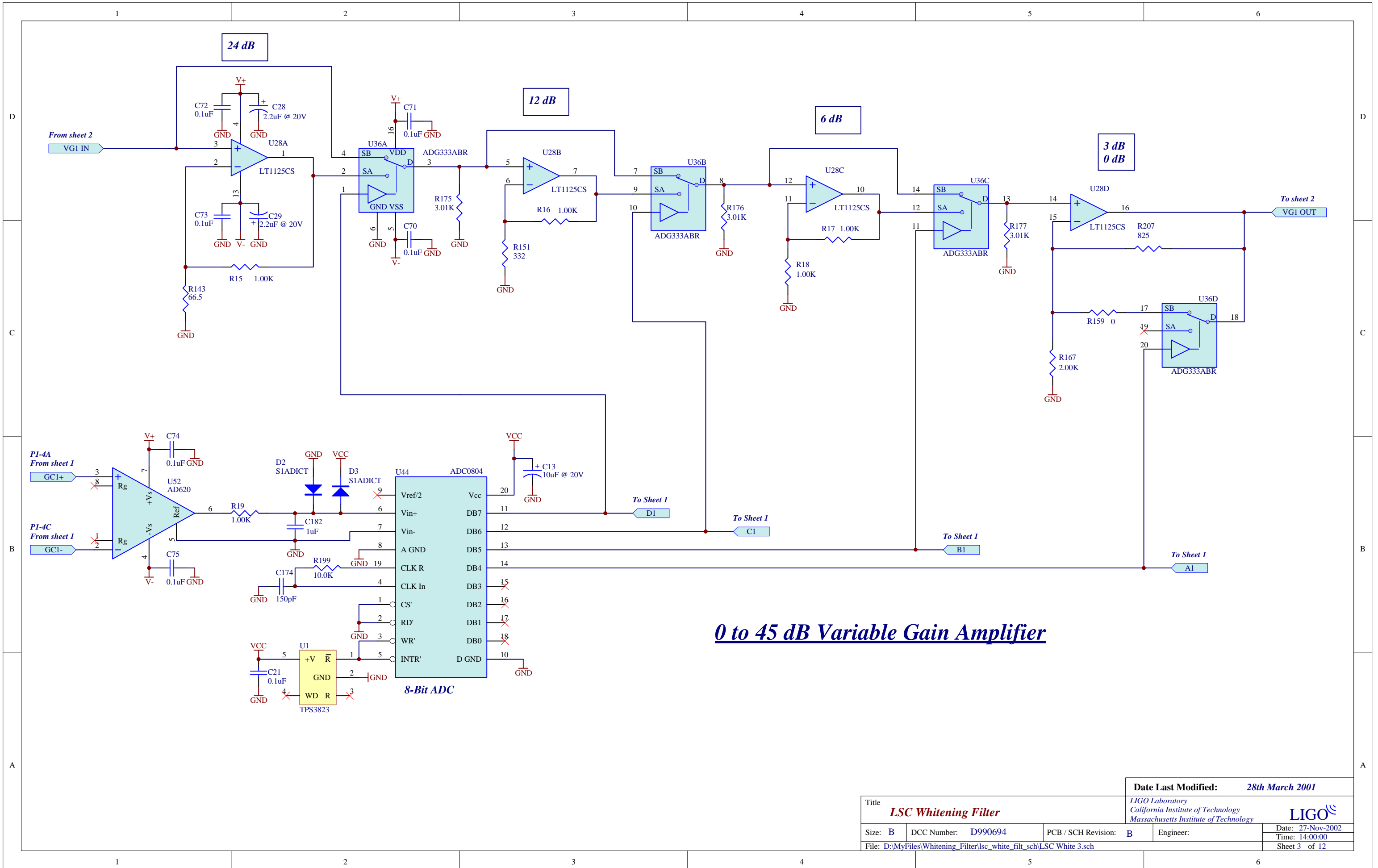
Title <b>LSC Whitening Filter</b>			Date Last Modified: 28th March 2001	
Size: B			LIGO Laboratory California Institute of Technology Massachusetts Institute of Technology	
DCC Number: D990694	PCB / SCH Revision: B	Engineer:	Date: 27-Nov-2002 Time: 13:59:44	
File: D:\MyFiles\Whitening_Filter\lsc_white_filt_sch\LSC White I.prj			Sheet 1 of 12	



**Channels 1, 2, 3**

Title <b>LSC Whitening Filter</b>		Date Last Modified: <b>28th March 2001</b>	
Size: B		DCC Number: D990694	
PCB / SCH Revision: B		Engineer:	
File: D:\MyFiles\Whitening_Filter\lsc_white_filt_sch\LSC White 2.sch		Date: 27-Nov-2002 Time: 13:59:53 Sheet 2 of 12	

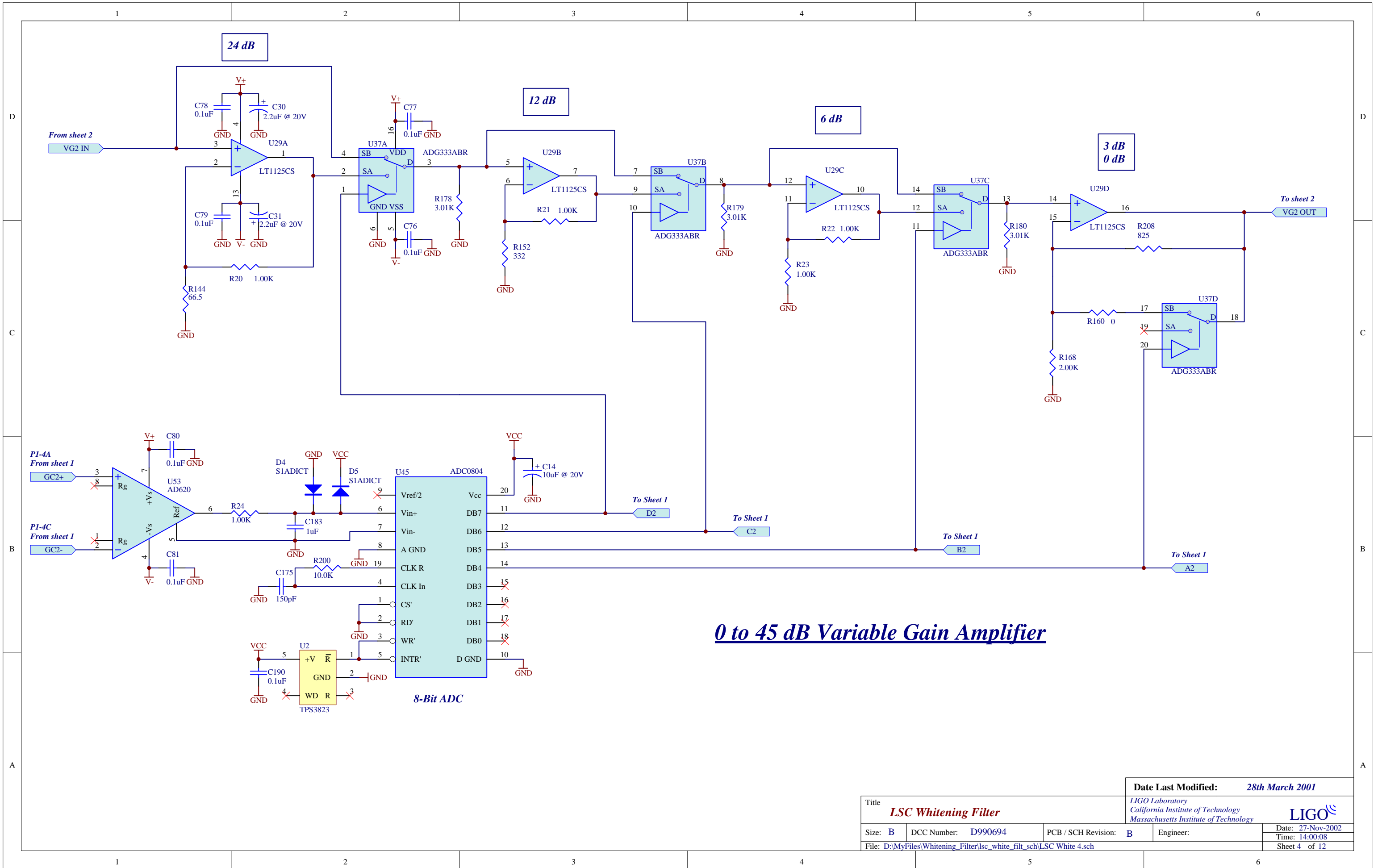




**0 to 45 dB Variable Gain Amplifier**

Date Last Modified: 28th March 2001

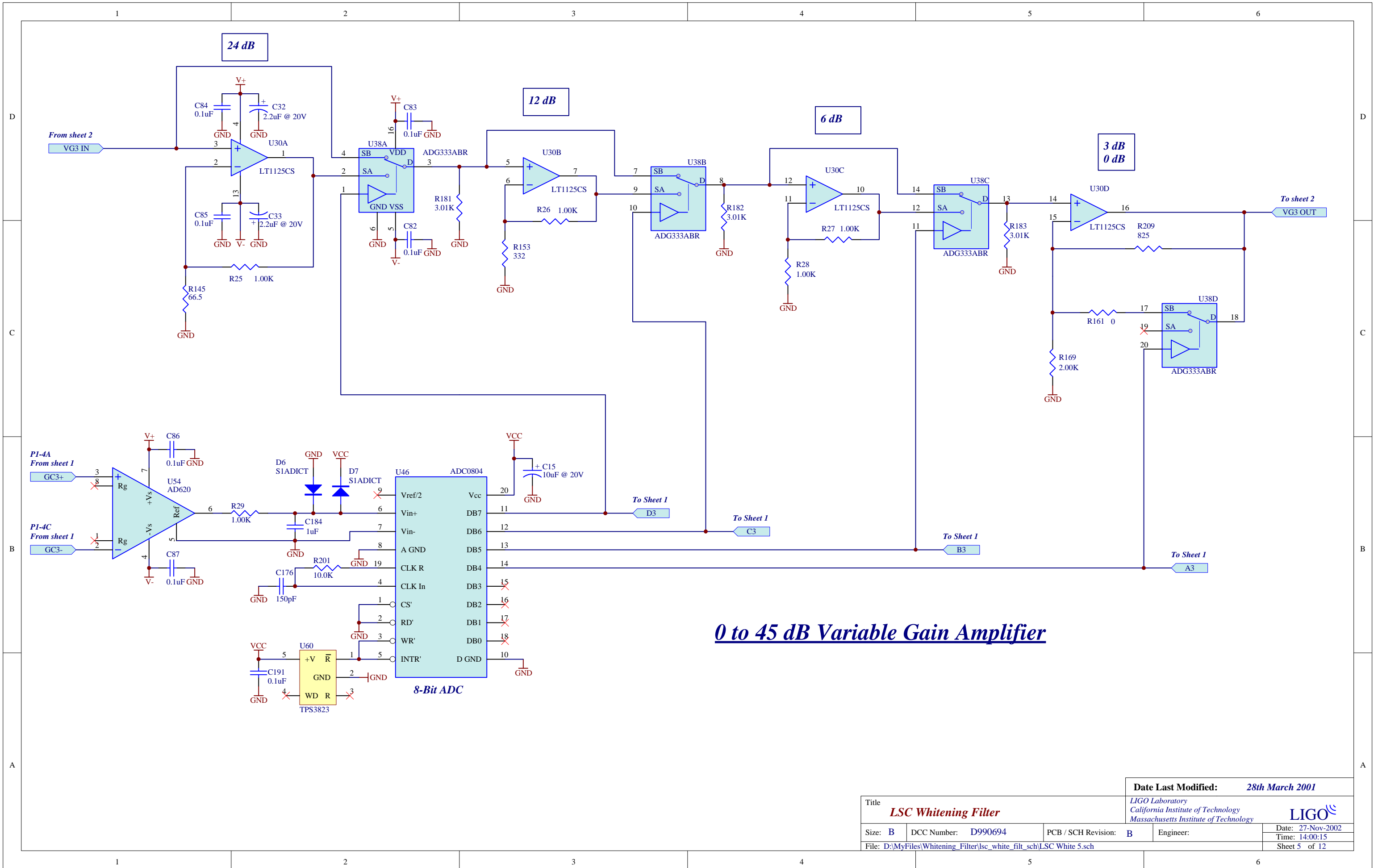
Title <b>LSC Whitening Filter</b>		LIGO Laboratory California Institute of Technology Massachusetts Institute of Technology		Date: 27-Nov-2002 Time: 14:00:00 Sheet 3 of 12
Size: B	DCC Number: D990694	PCB / SCH Revision: B	Engineer:	
File: D:\MyFiles\Whitening_Filter\lsc_white_filt_sch\LSC White 3.sch				



**0 to 45 dB Variable Gain Amplifier**

Date Last Modified: 28th March 2001

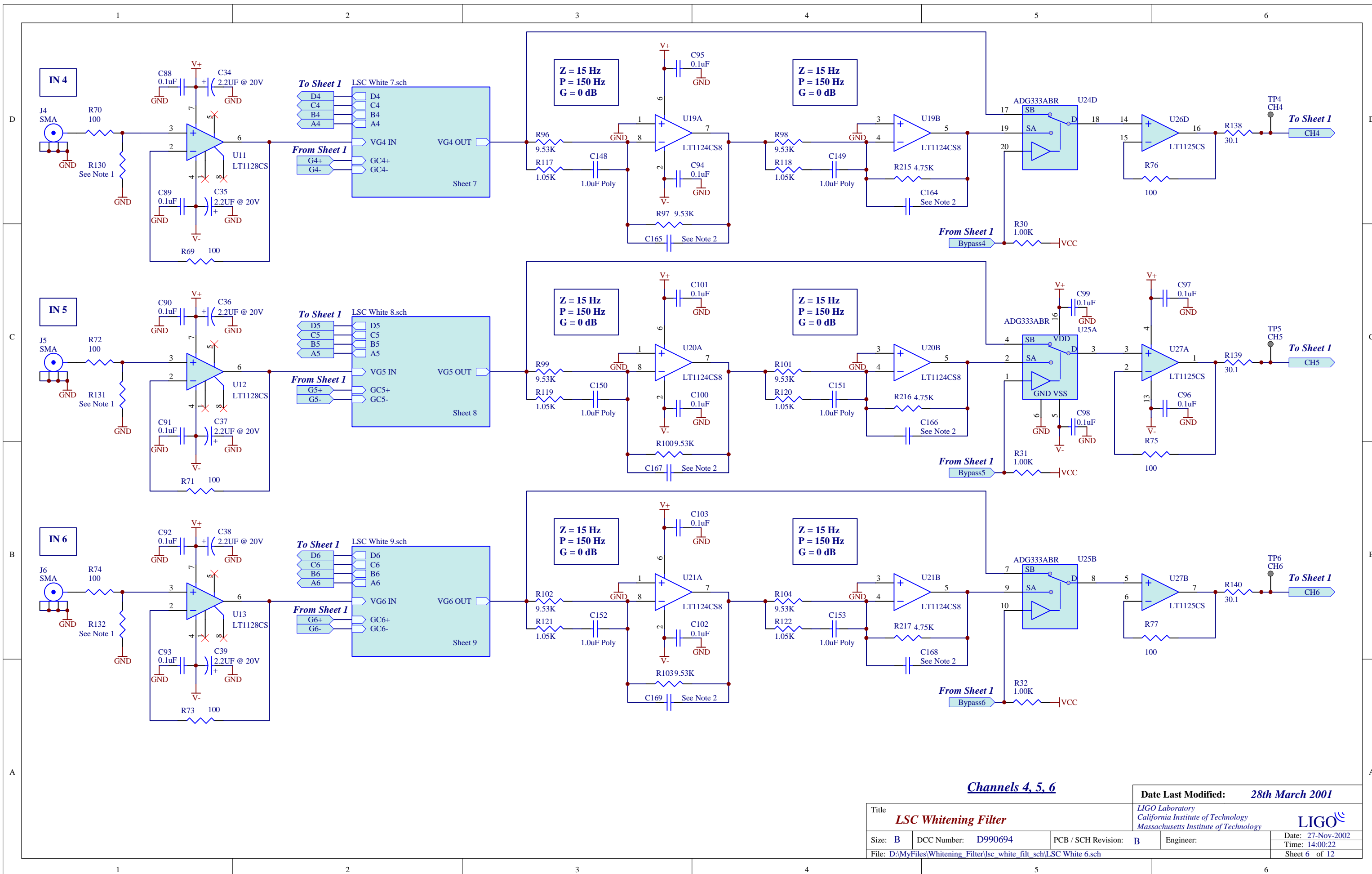
Title <b>LSC Whitening Filter</b>		LIGO Laboratory California Institute of Technology Massachusetts Institute of Technology		Date: 27-Nov-2002 Time: 14:00:08
Size: B	DCC Number: D990694	PCB / SCH Revision: B	Engineer:	
File: D:\MyFiles\Whitening_Filter\lsc_white_filt_sch\LSC White 4.sch				Sheet 4 of 12



**0 to 45 dB Variable Gain Amplifier**

Date Last Modified: 28th March 2001

Title <b>LSC Whitening Filter</b>		LIGO Laboratory California Institute of Technology Massachusetts Institute of Technology		Date: 27-Nov-2002 Time: 14:00:15 Sheet 5 of 12
Size: B	DCC Number: D990694	PCB / SCH Revision: B	Engineer:	
File: D:\MyFiles\Whitening_Filter\lsc_white_filt_sch\LSC White 5.sch				

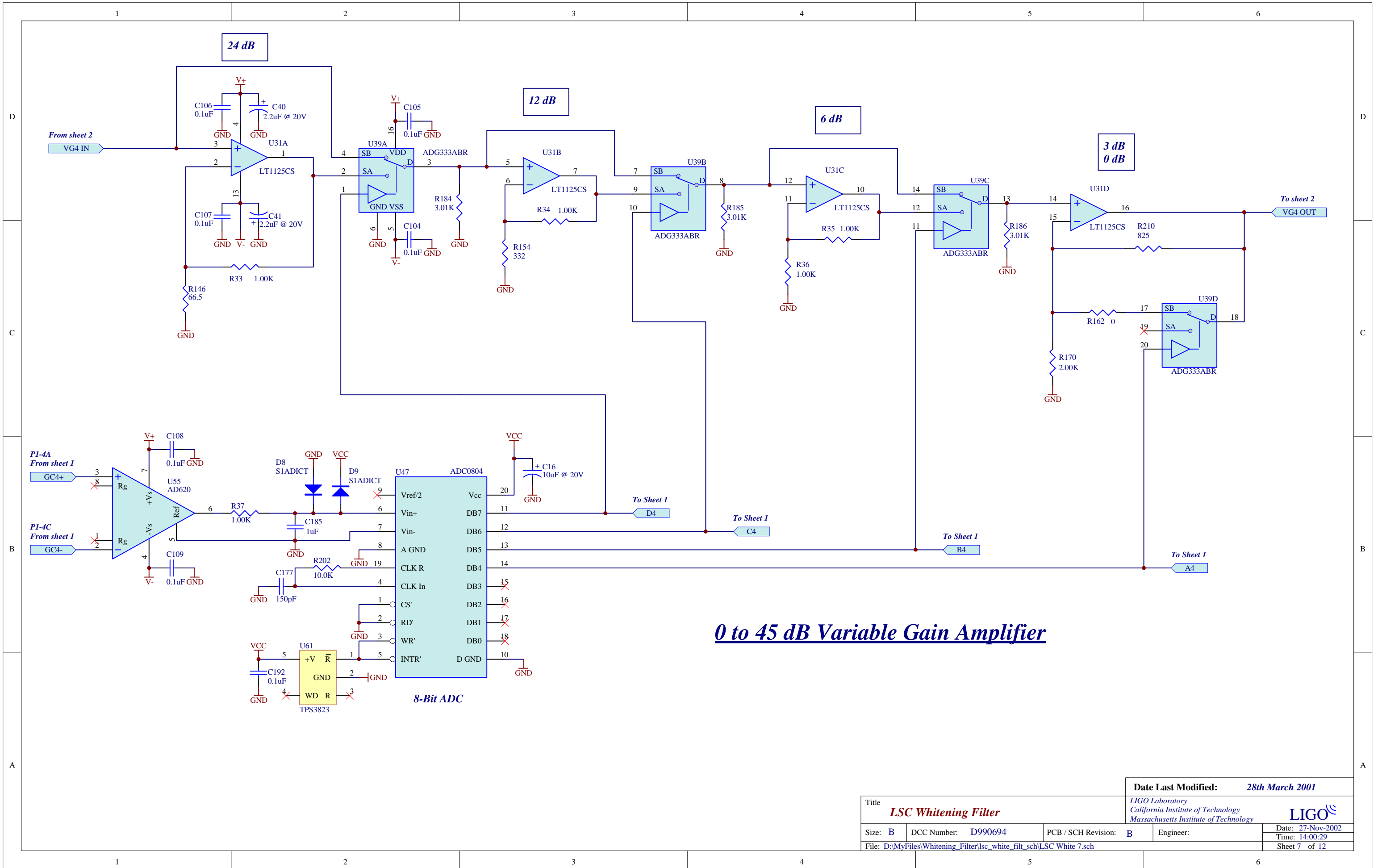


**Channels 4, 5, 6**

Title <b>LSC Whitening Filter</b>		Date Last Modified: <b>28th March 2001</b>	
Size: <b>B</b>		DCC Number: <b>D990694</b>	
PCB / SCH Revision: <b>B</b>		Engineer:	
File: D:\MyFiles\Whitening_Filter\lsc_white_filt_sch\LSC White 6.sch		Date: 27-Nov-2002 Time: 14:00:22 Sheet 6 of 12	

LIGO Laboratory  
California Institute of Technology  
Massachusetts Institute of Technology

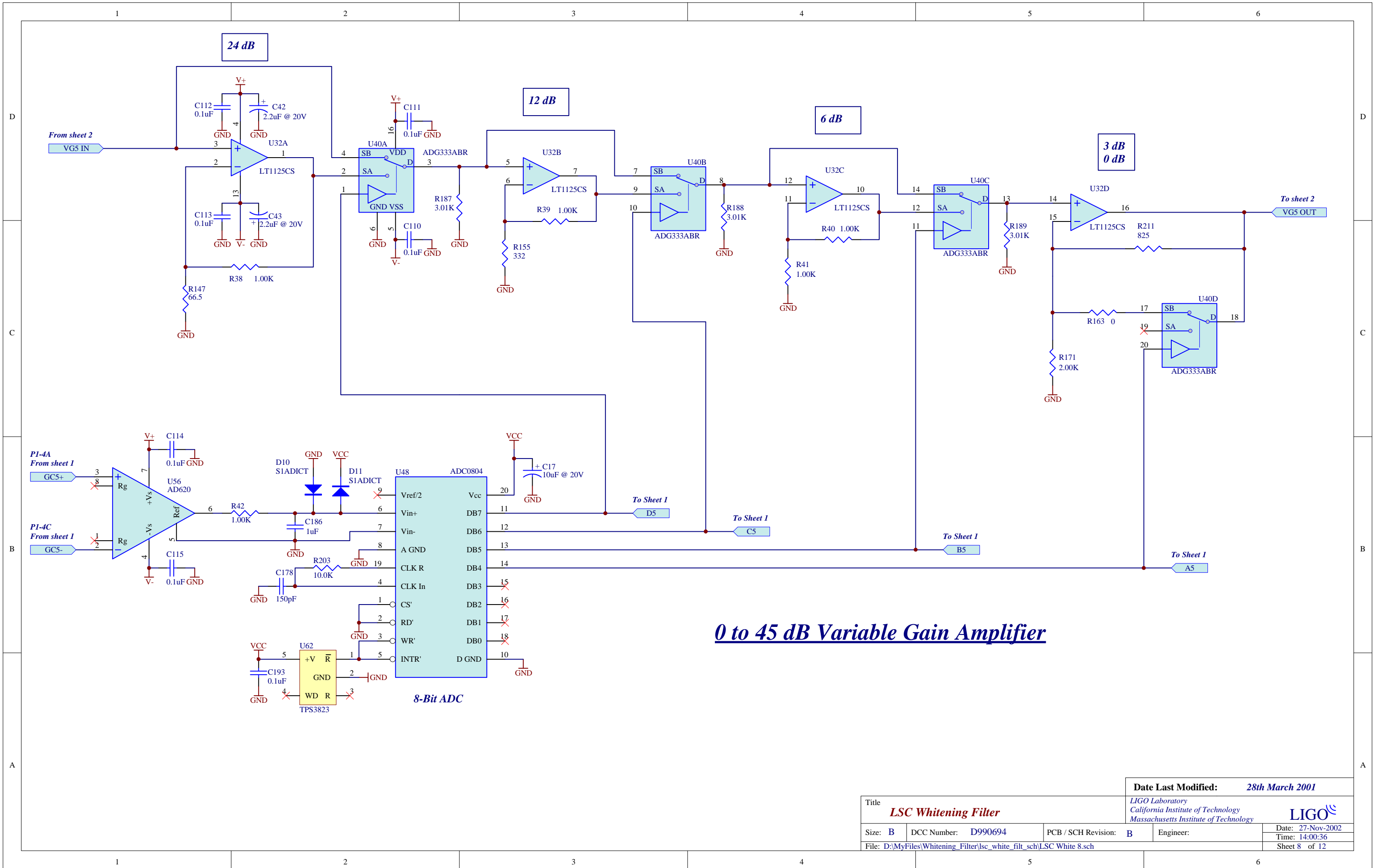




**0 to 45 dB Variable Gain Amplifier**

Date Last Modified: 28th March 2001

Title <b>LSC Whitening Filter</b>		LIGO Laboratory California Institute of Technology Massachusetts Institute of Technology		Date: 27-Nov-2002 Time: 14:00:29 Sheet 7 of 12
Size: B	DCC Number: D990694	PCB / SCH Revision: B	Engineer:	
File: D:\MyFiles\Whitening_Filter\lsc_white_filt_sch\LSC White 7.sch				

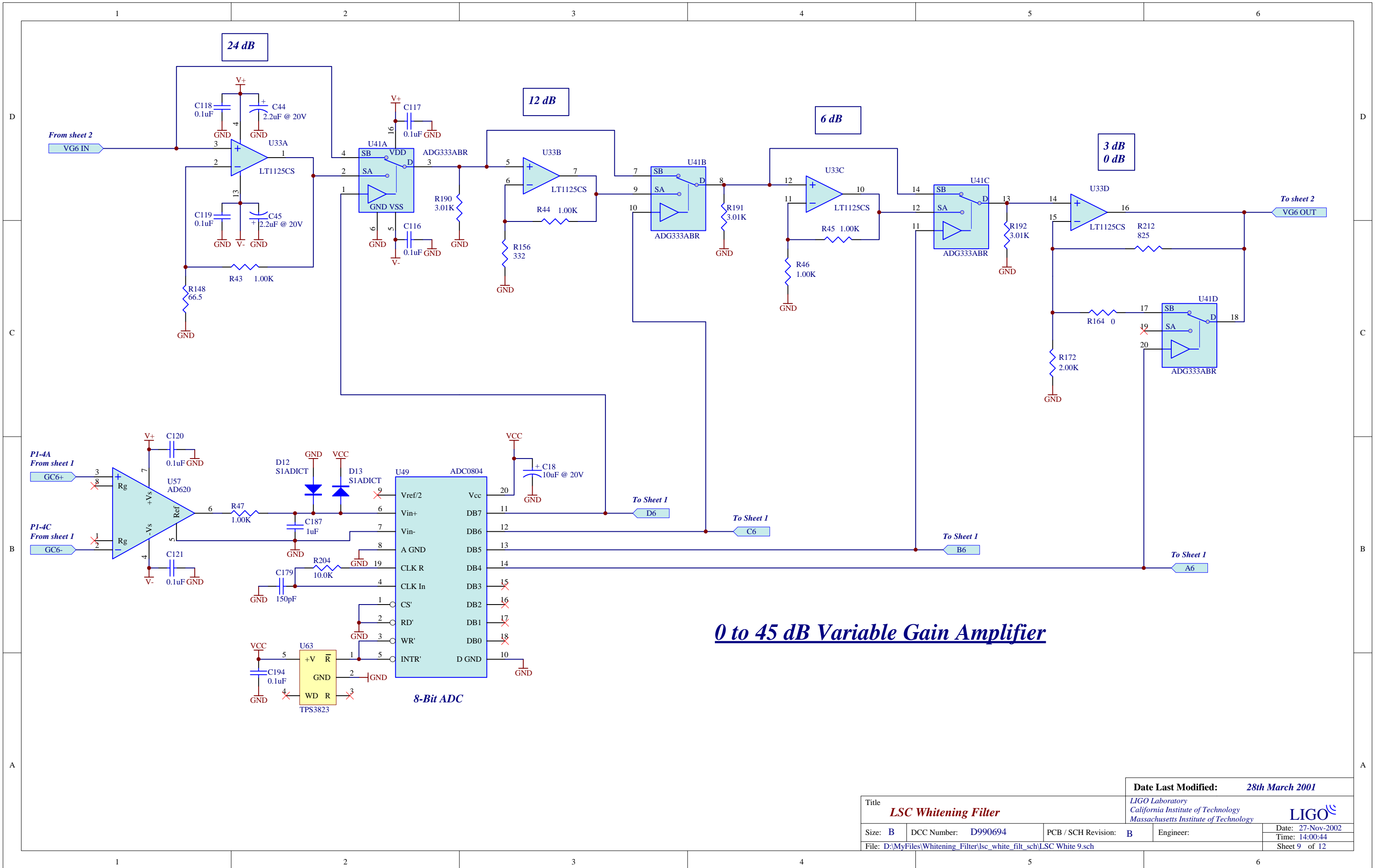


**0 to 45 dB Variable Gain Amplifier**

Date Last Modified: 28th March 2001

Title <b>LSC Whitening Filter</b>		LIGO Laboratory California Institute of Technology Massachusetts Institute of Technology		Date: 27-Nov-2002 Time: 14:00:36 Sheet 8 of 12
Size: B	DCC Number: D990694	PCB / SCH Revision: B	Engineer:	
File: D:\MyFiles\Whitening_Filter\lsc_white_filt_sch\LSC White 8.sch				



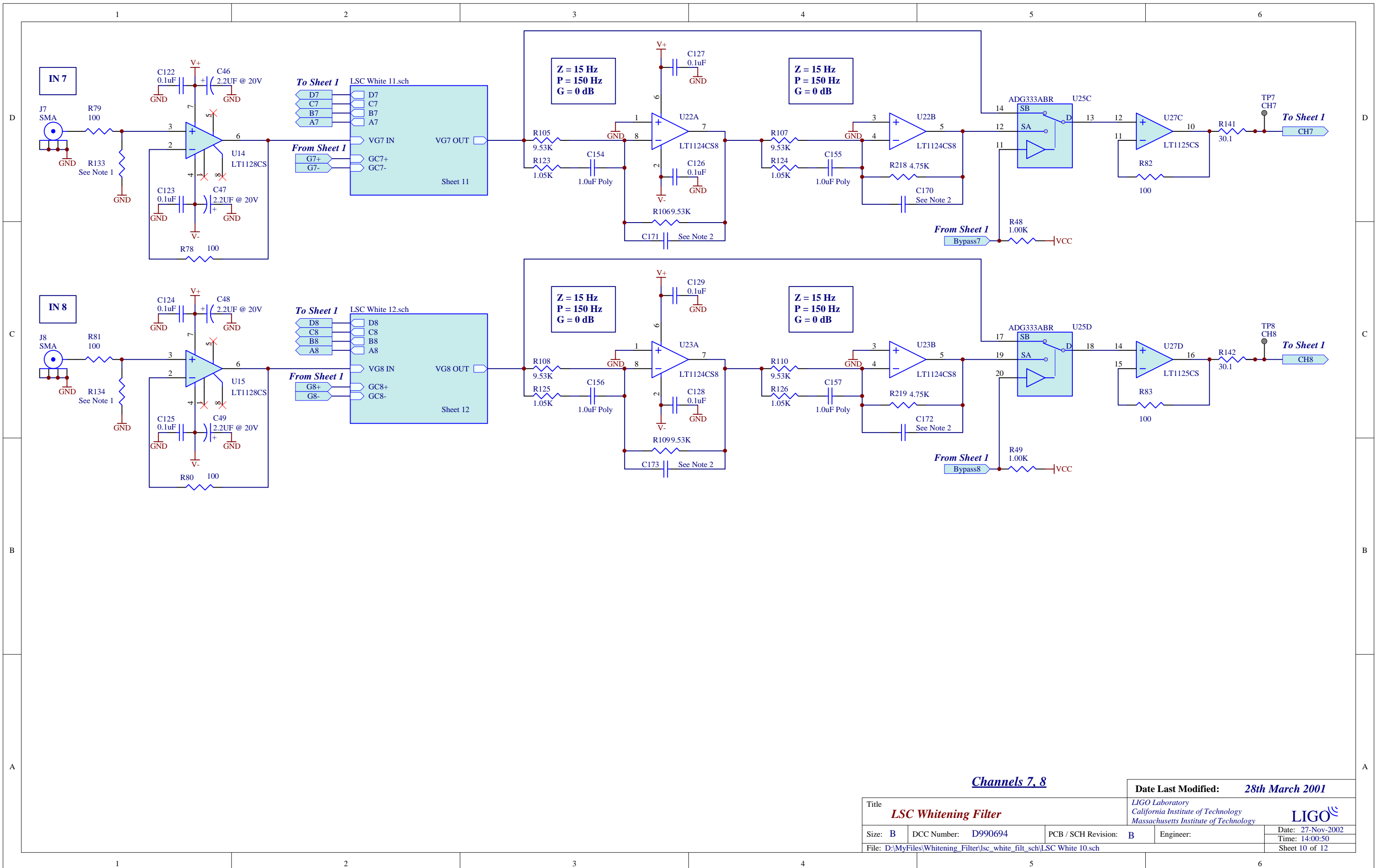


**0 to 45 dB Variable Gain Amplifier**

Date Last Modified: 28th March 2001

Title <b>LSC Whitening Filter</b>		LIGO Laboratory California Institute of Technology Massachusetts Institute of Technology		Date: 27-Nov-2002 Time: 14:00:44
Size: B	DCC Number: D990694	PCB / SCH Revision: B	Engineer:	
File: D:\MyFiles\Whitening_Filter\lsc_white_filt_sch\LSC White 9.sch				



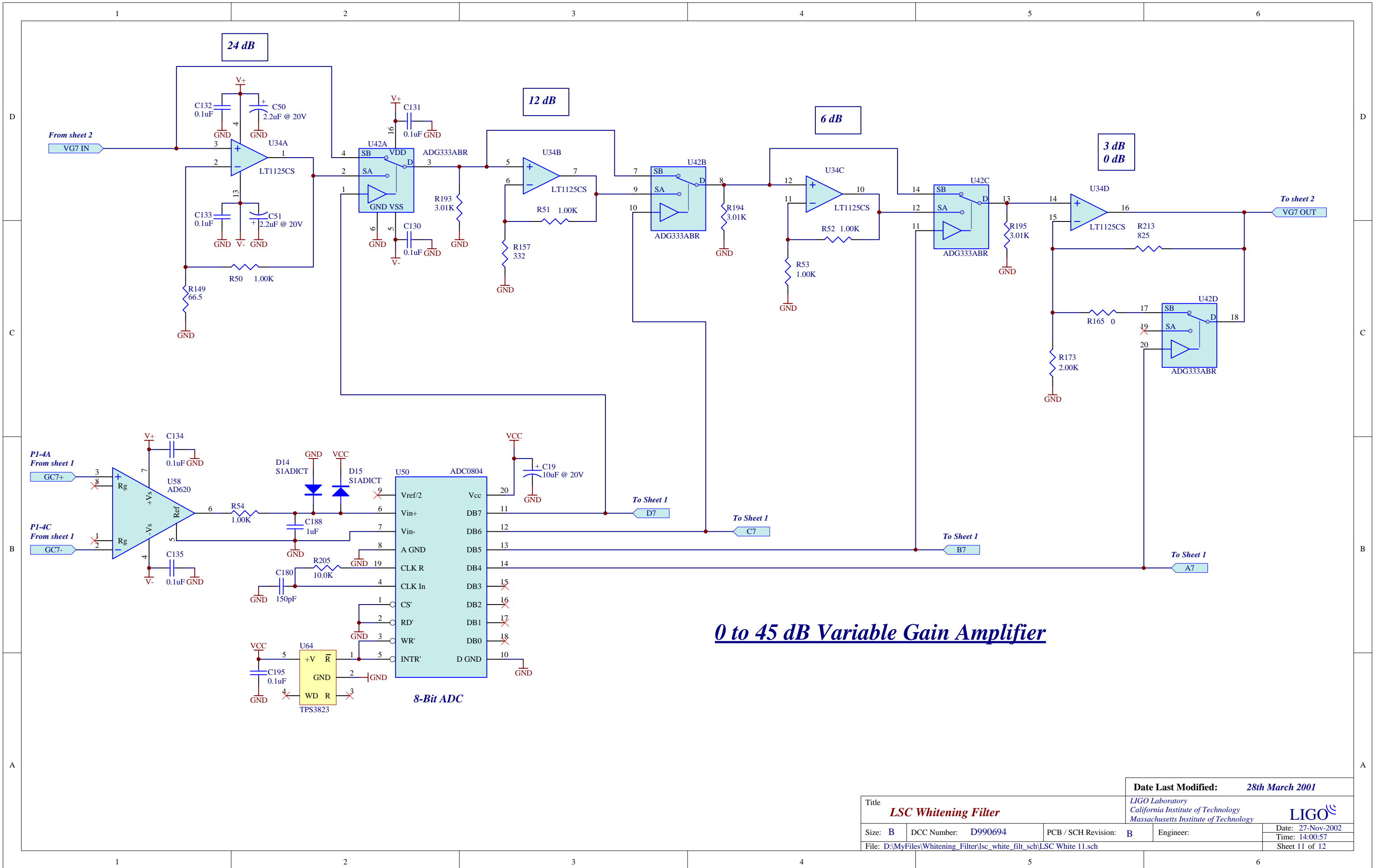


**Channels 7, 8**

Title <b>LSC Whitening Filter</b>		Date Last Modified: <b>28th March 2001</b>	
Size: <b>B</b>		DCC Number: <b>D990694</b>	
PCB / SCH Revision: <b>B</b>		Engineer:	
File: D:\MyFiles\Whitening_Filter\lsc_white_filt_sch\LSC White 10.sch		Date: 27-Nov-2002 Time: 14:00:50 Sheet 10 of 12	

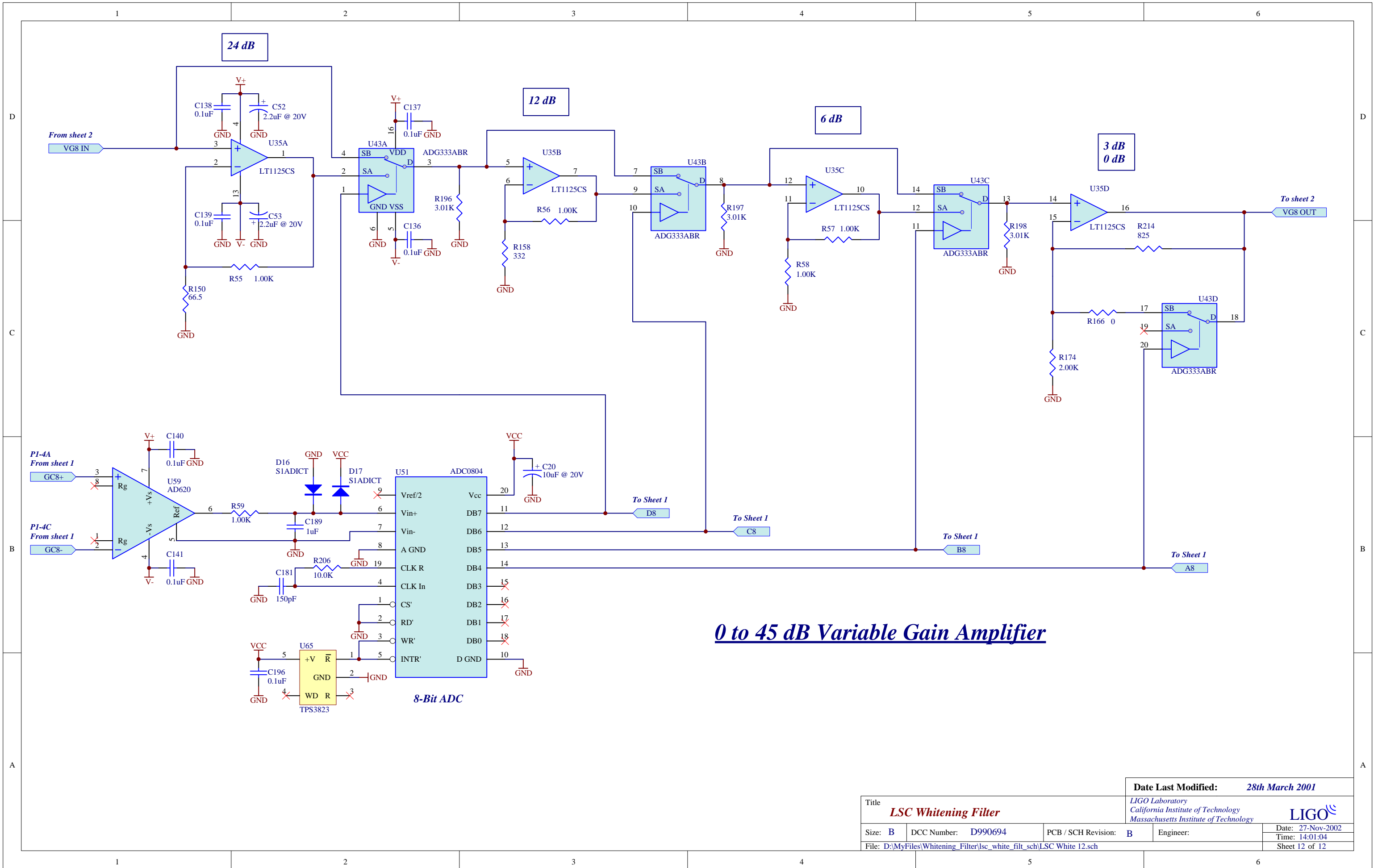
LIGO Laboratory  
California Institute of Technology  
Massachusetts Institute of Technology





Date Last Modified: 28th March 2001

Title <b>LSC Whitening Filter</b>		LIGO Laboratory California Institute of Technology Massachusetts Institute of Technology		Date: 27-Nov-2002	
Size: B	DCC Number: D990694	PCB / SCH Revision: B	Engineer:	Time: 14:00:57	
File: D:\MyFiles\Whitening_Filter\lsc_white_filt_sch\LSC White 11.sch			Sheet 11 of 12		



Date Last Modified: 28th March 2001

Title <b>LSC Whitening Filter</b>		LIGO Laboratory California Institute of Technology Massachusetts Institute of Technology		Date: 27-Nov-2002	
Size: B	DCC Number: D990694	PCB / SCH Revision: B	Engineer:	Time: 14:01:04	
File: D:\MyFiles\Whitening_Filter\lsc_white_filt_sch\LSC White 12.sch			Sheet 12 of 12		