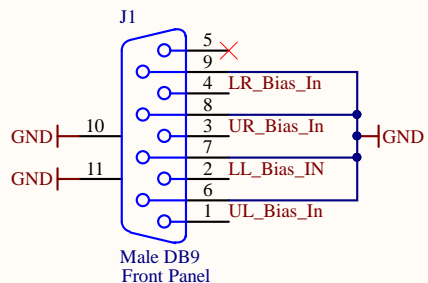


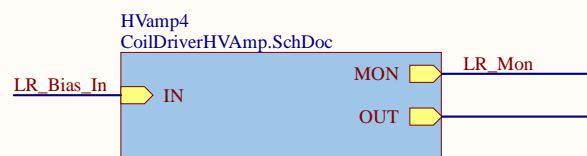
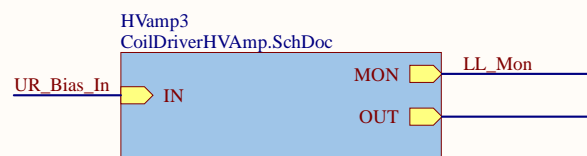
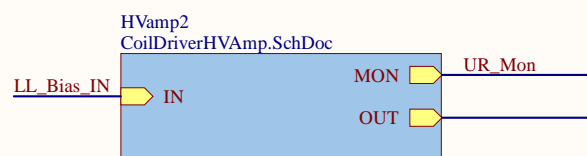
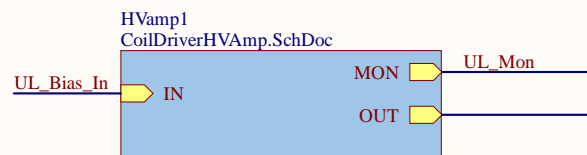
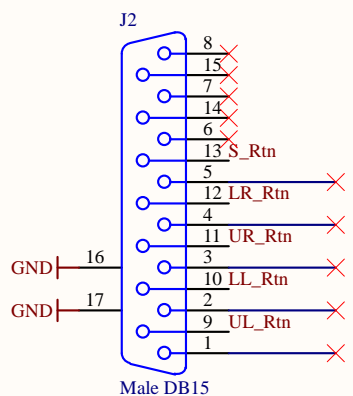
PowerSupplies
PowerSupplies.SchDoc



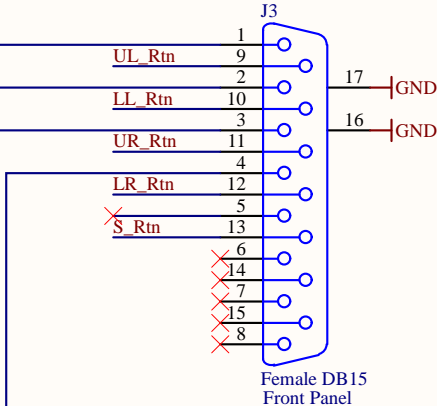
Slow bias voltages from DAC



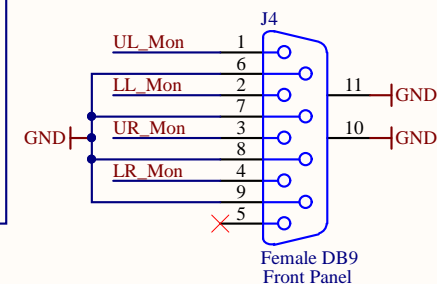
Fast CDS signals from SOS Coil Driver Board



To Satellite Box



Monitor



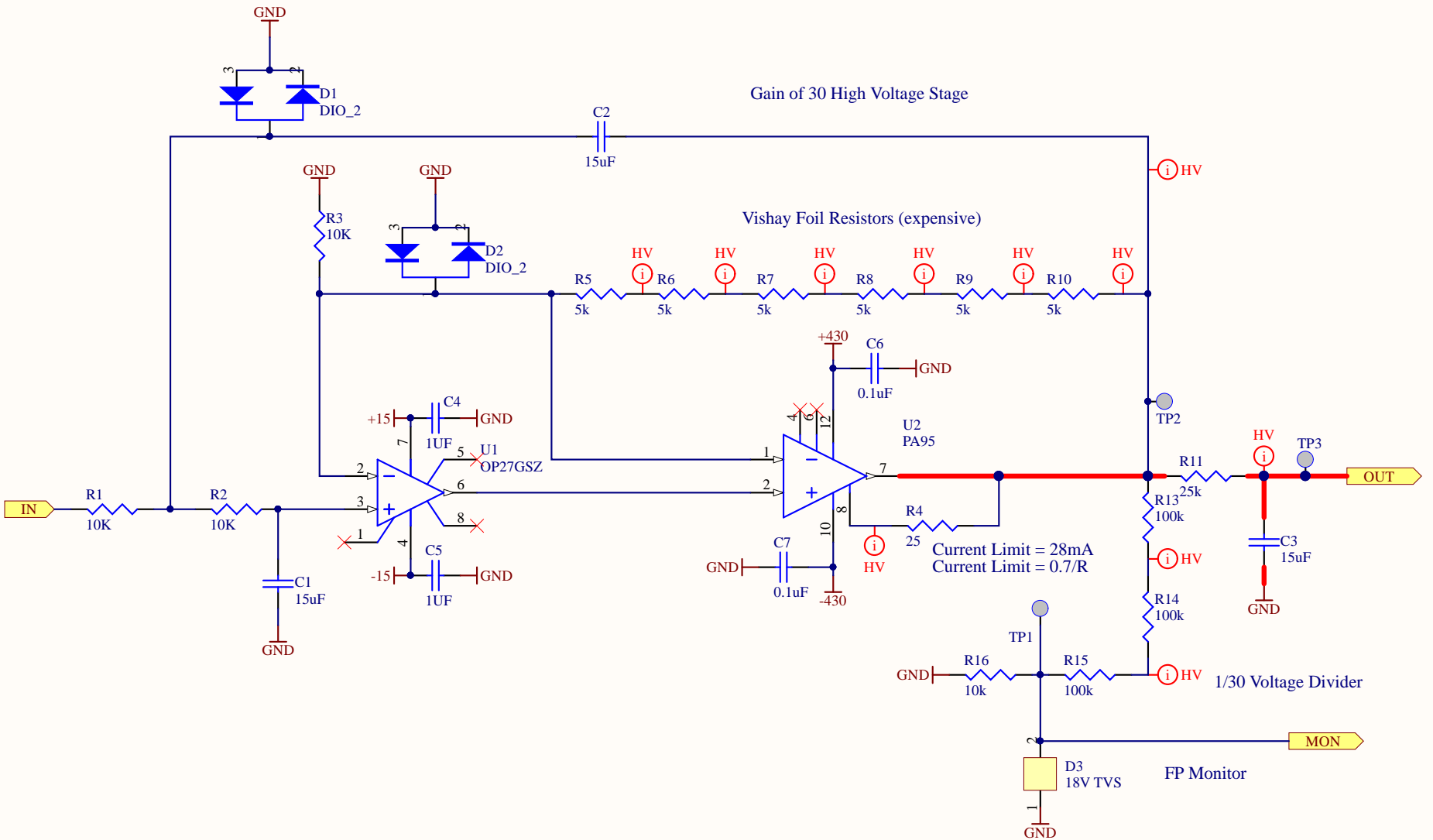
Last Edited: 10/1/2018

Title
Top Level Low-Noise High Voltage Amplifier



Size: A DCC Number: * Revision: * Engineer: *

Date: 10/1/2018
Time: 10:18:24 PM
Sheet 1 of 3



Checked All

Last Edited: 10/1/2018

Title
Low-Noise High Voltage Amplifier

LIGO Laboratory
California Institute of Technology
Massachusetts Institute of Technology

LIGO

Size: A

DCC Number:

Revision:

Engineer:

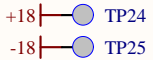
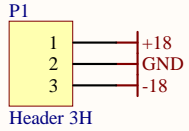
Date: 10/1/2018

Time: 10:18:24 PM

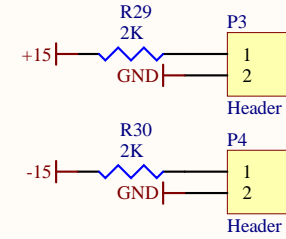
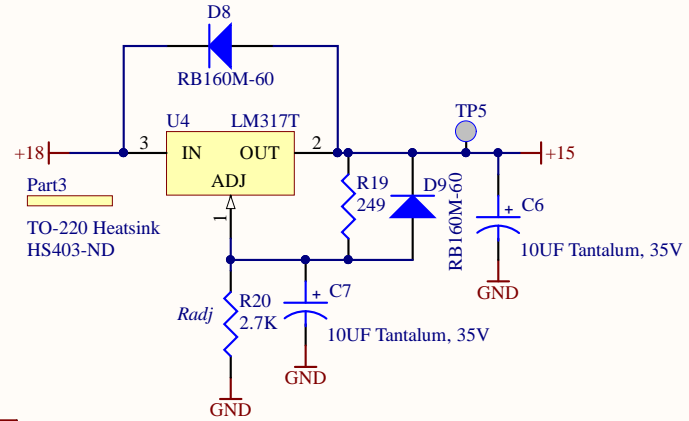
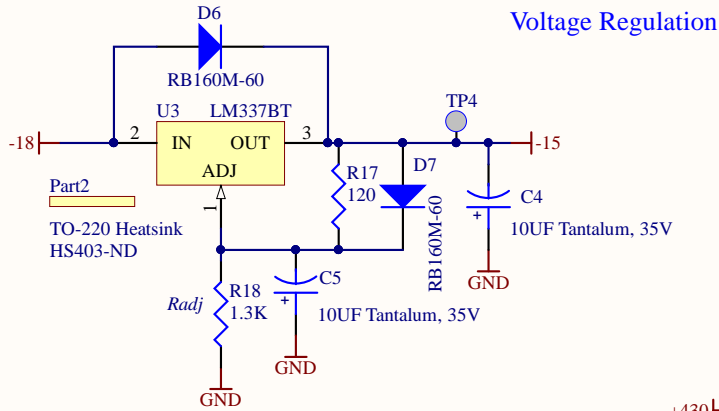
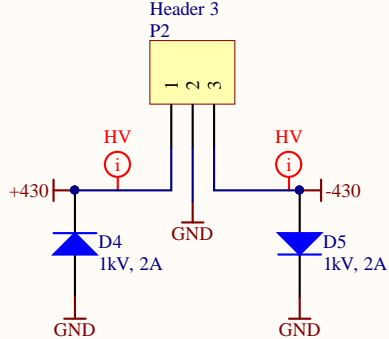
Sheet 2 of 3

File: C:\Users\ligo\Documents\gautam\Altium\CoilDriverBias\CoilDriverHVamp.SchDoc

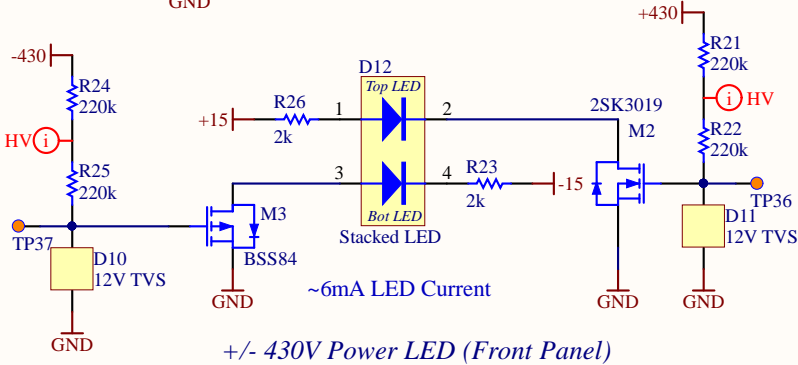
Part1
 Pins for female molex connector
 WM2307-ND
 Quantity: 6



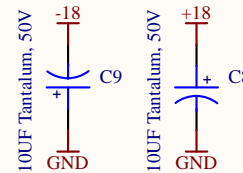
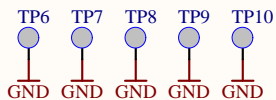
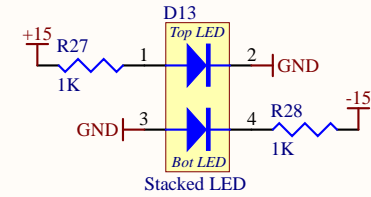
Incoming High Voltage
 For PA95 in HV Bias Section



Rear Panel LEDs



15VDC Power LED (Front Panel)



Checked All

Last Edited: 10/1/2018

Title Power Supplies		LIGO Laboratory California Institute of Technology Massachusetts Institute of Technology		LIGO	
Size: A	DCC Number:	Revision:	Engineer:	Date: 10/1/2018	Time: 10:18:24 PM
File: C:\Users\ligo\Documents\gautam\Altium\CoilDriverBias\PowerSupplies.SchDoc				Sheet 3 of 3	