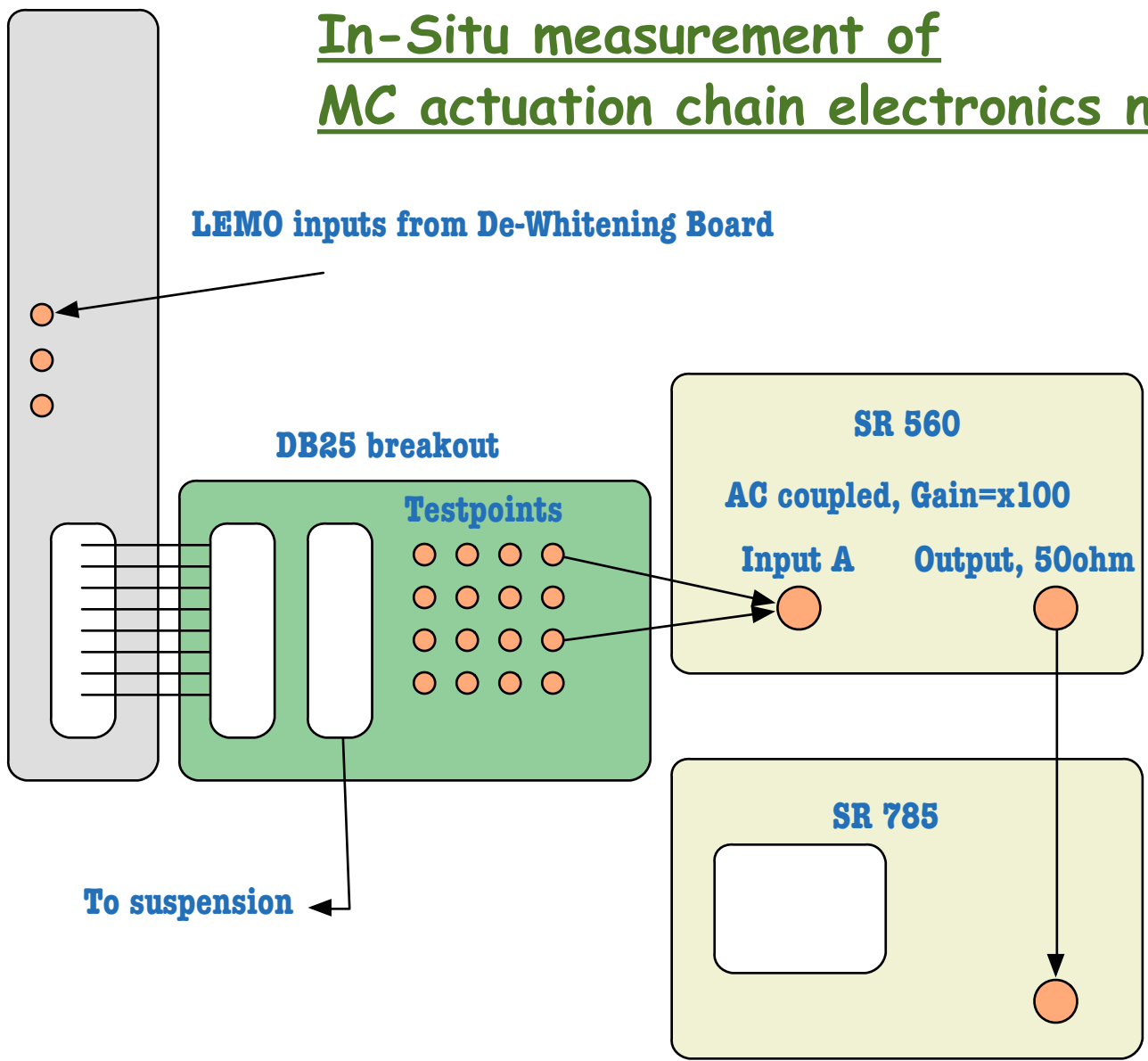


# In-Situ measurement of MC actuation chain electronics noise



**SR 785 operated in AC coupled mode, FLOATING input.**