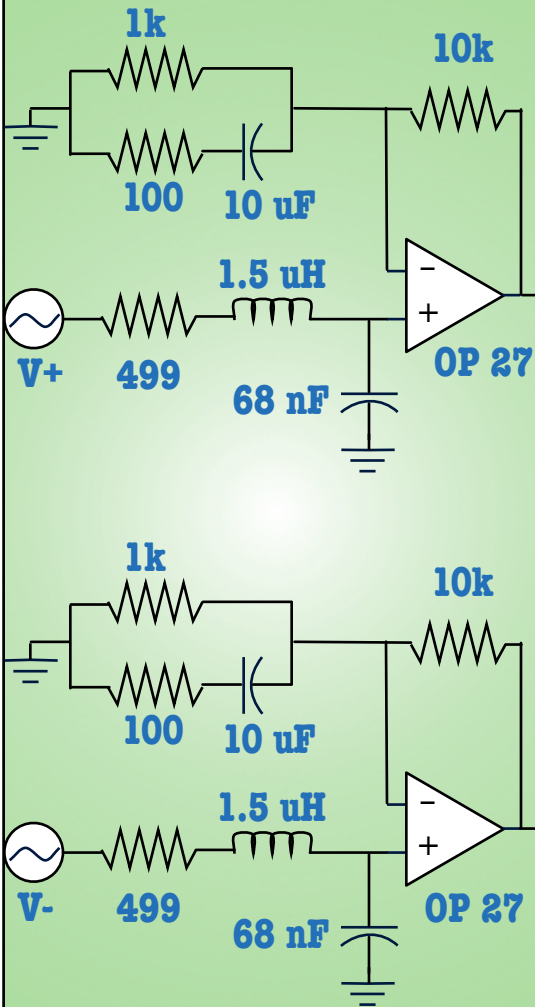
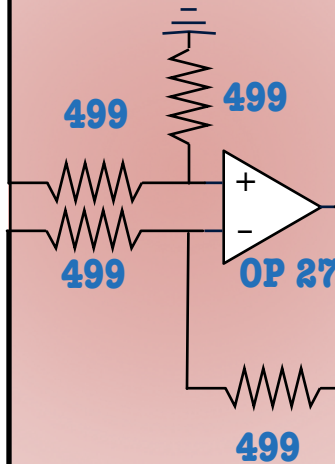


Differential Receiving



Difference amp



Differential sending

