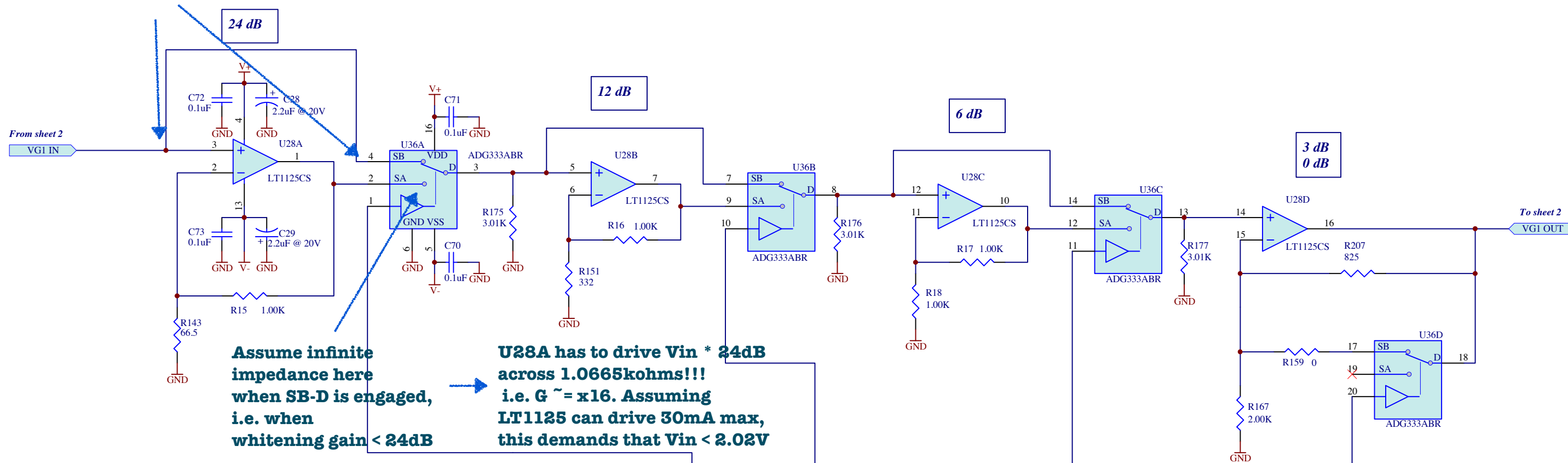
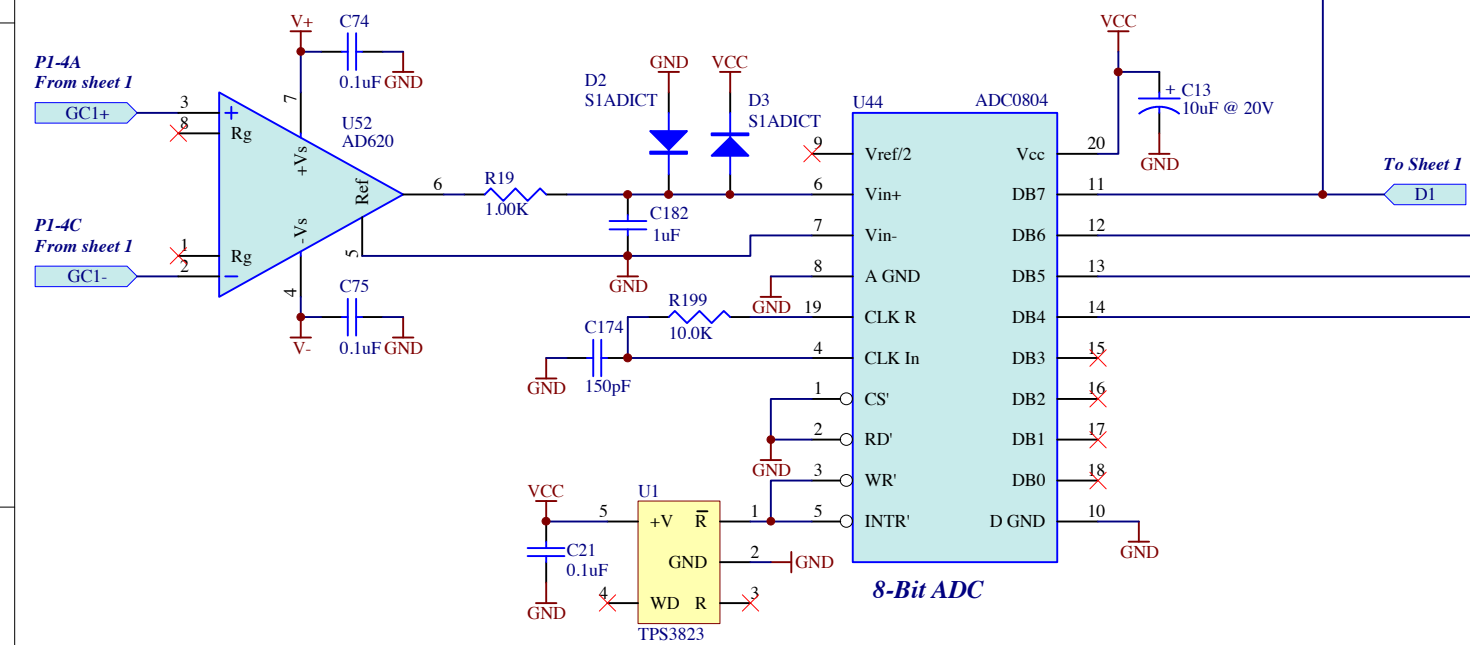


Same potential!



Assume infinite impedance here when SB-D is engaged, i.e. when whitening gain < 24dB

U28A has to drive $V_{in} * 24dB$ across 1.0665kohms!!! i.e. $G \sim = x16$. Assuming LT1125 can drive 30mA max, this demands that $V_{in} < 2.02V$



0 to 45 dB Variable Gain Amplifier

Date Last Modified: 28th March 2001

Title		LIGO Laboratory California Institute of Technology Massachusetts Institute of Technology	
Size: B	DCC Number: D990694	PCB / SCH Revision: B	Engineer:
File: D:\MyFiles\Whitening_Filter\lsc_white_filt_sch\LSC White 3.sch		Date: 27-Nov-2002	Time: 14:00:00
		Sheet 3 of 12	