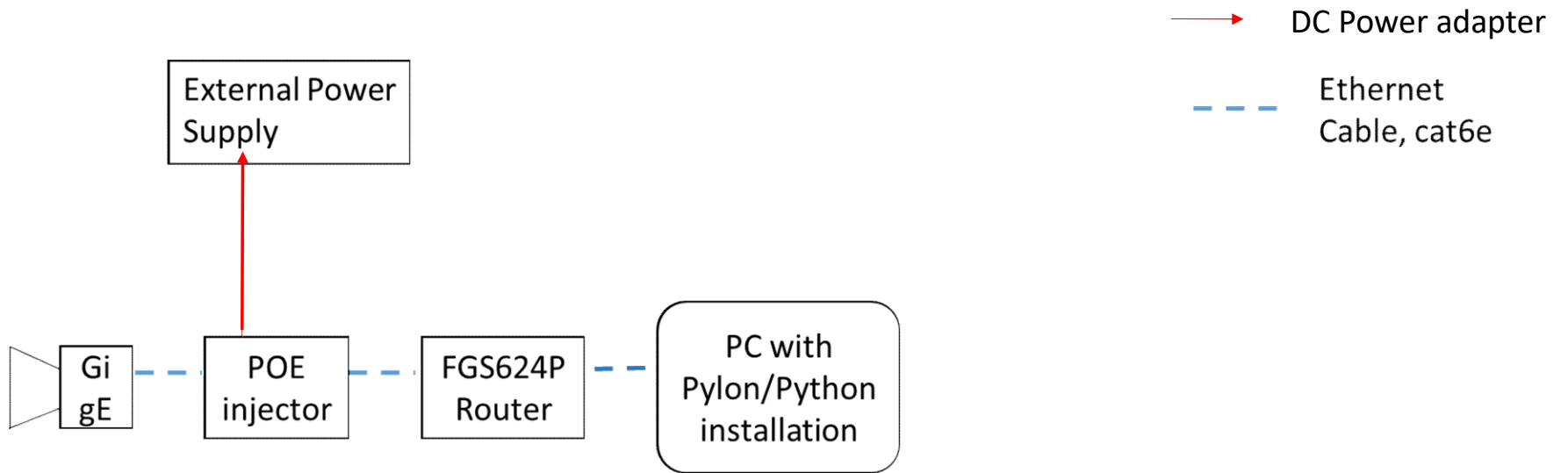
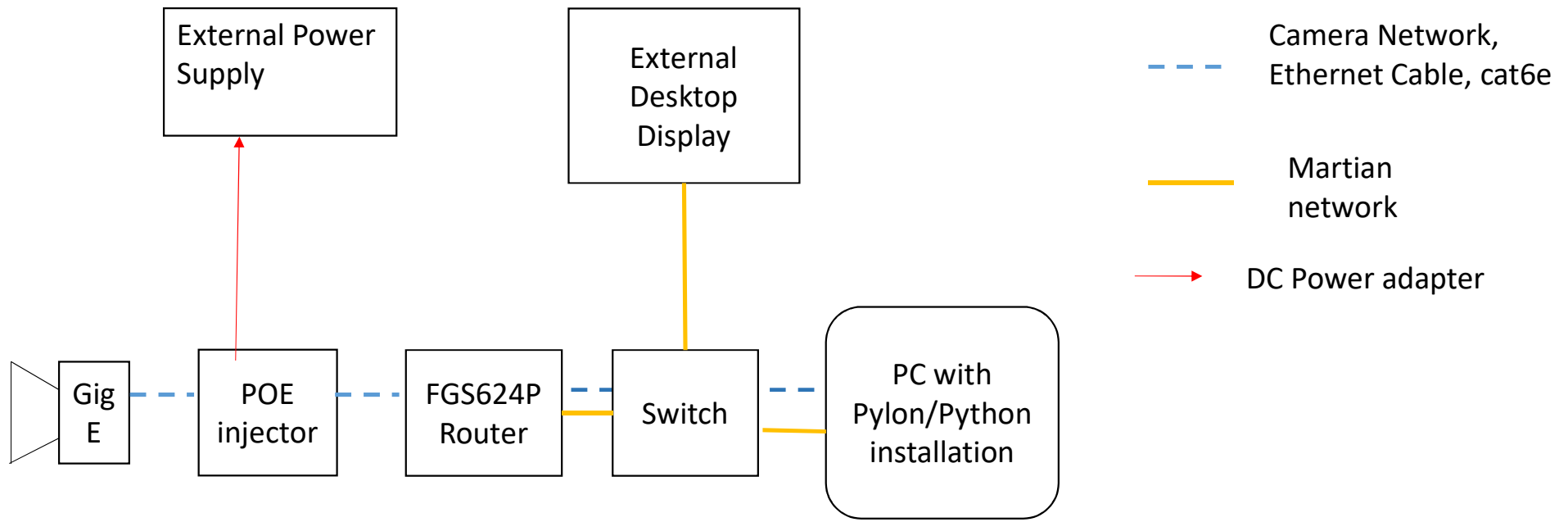


Model 1: Establishing a direct connection between the GigE and the operating PC



Model 2: GigE with connection via router to PC



Model 3: GigE with router and main switch to connect to external display

Other such GigE-POE injector-router combinations could be connected to the main switch along with their corresponding controlling PC's(matched by IP configuration)