

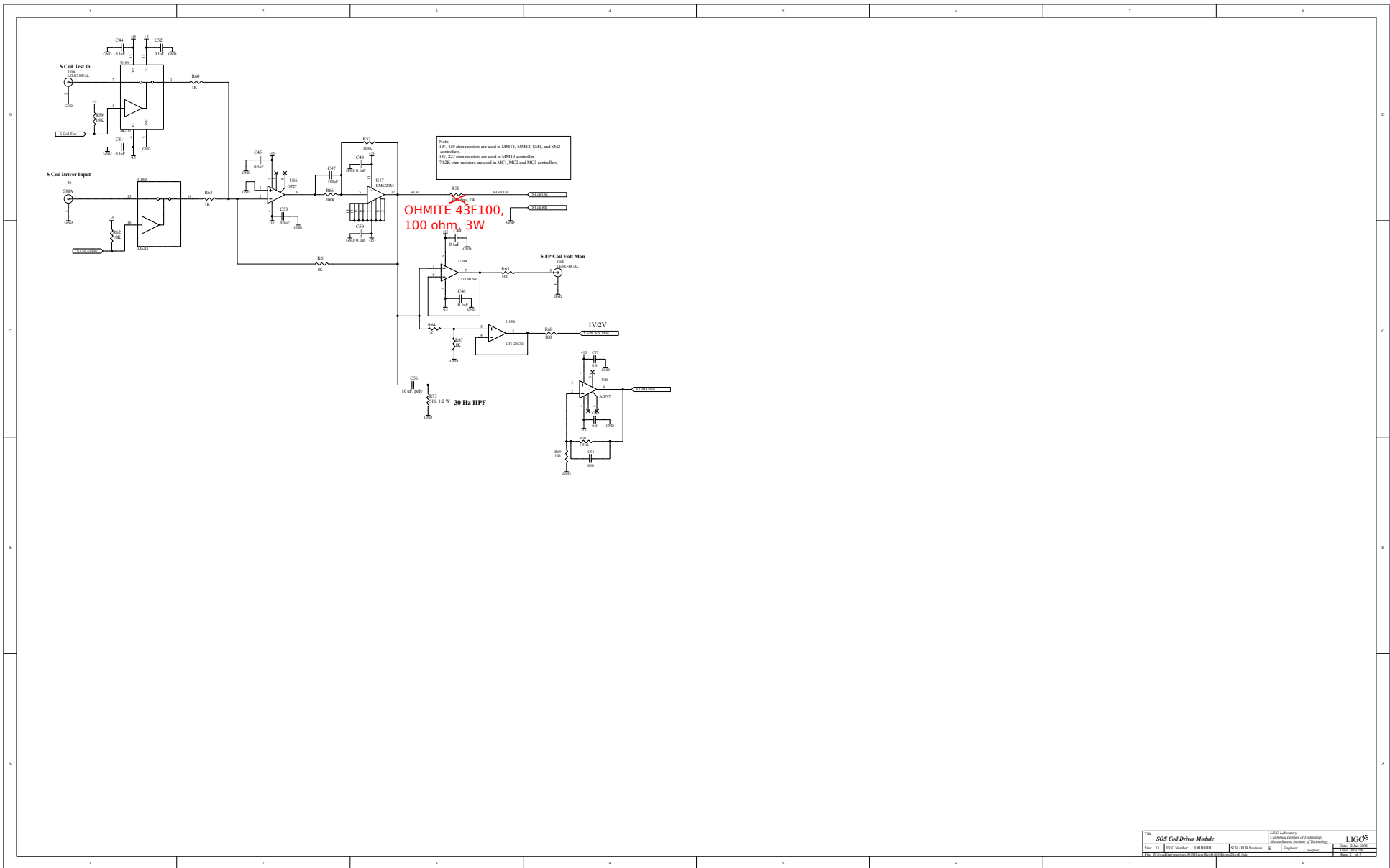
Comments:

1. D010001-B, S/N B151, labelled "SRM"
 2. Used for 40m SRM
 3. "Test IN" LEMO inputs are used rather than SMA inputs, as latter are not switchable
 4. All deviations marked in **RED**
- GV, 11 May 2017

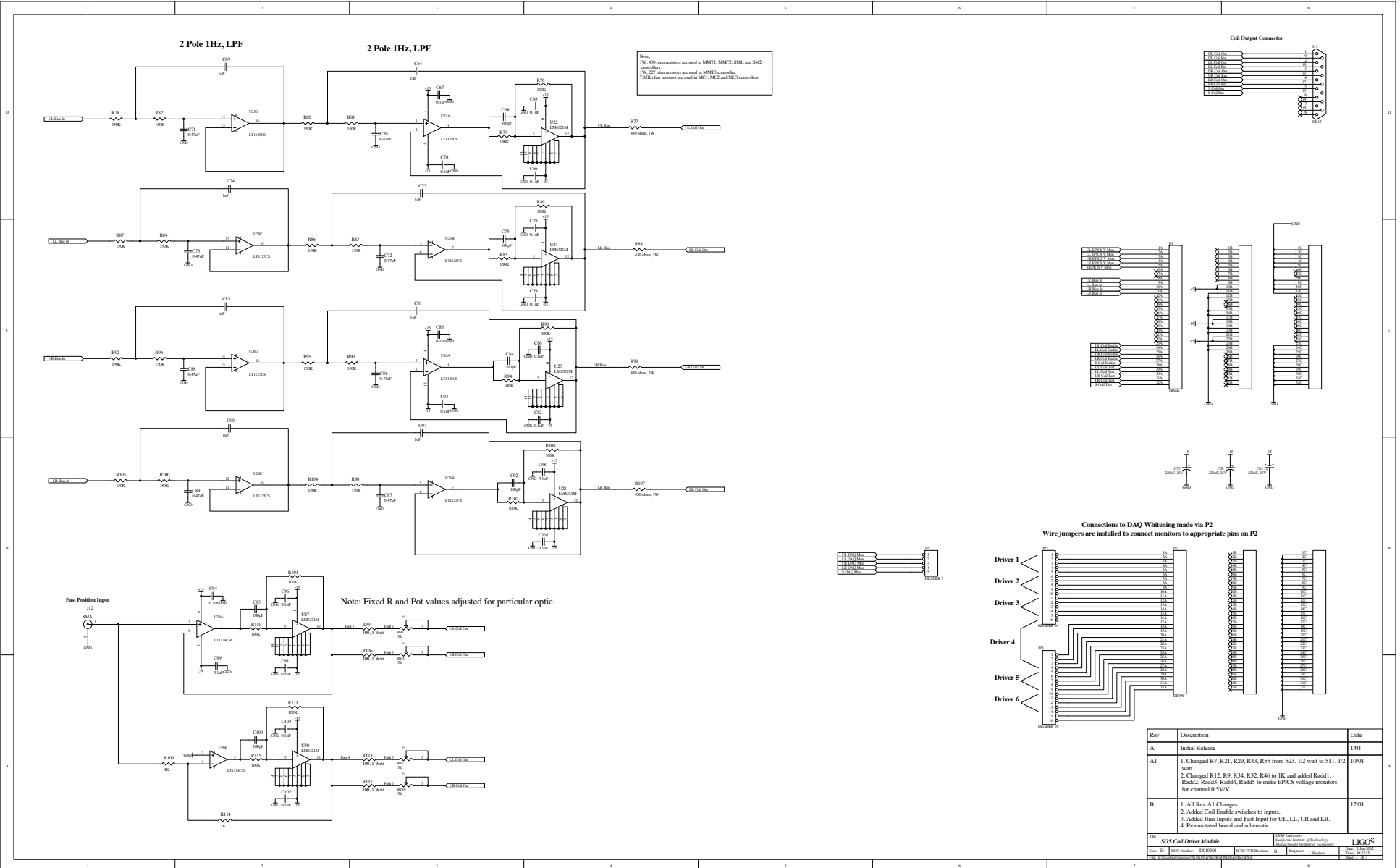
Proposed changes:

1. R2, R21, R29, R49, R58 from 100 ohm to 1kohm
2. Remove AD797s, U3, U5, U11, U15, U20
3. R77, R88, R91, R107 (bias path resistors) from 430 ohm to 1kohm
4. Remove Pots R97, R103, R112, R116, replace R99, R106, R113, R117 with 1kohm 1W for fast-servoing
5. Replace all thick-film resistors in signal path with thin film

Rev. 01		SOS Coil Driver Module		LIGGS	
Date: D		Doc Number: D010001		Rev: PCB Revision: 01	
Title: 40m SRM Driver Module		Author: J. G. G. G.		Date: 11/05/17	
Project: 40m SRM		Engineer: J. G. G. G.		Date: 11/05/17	

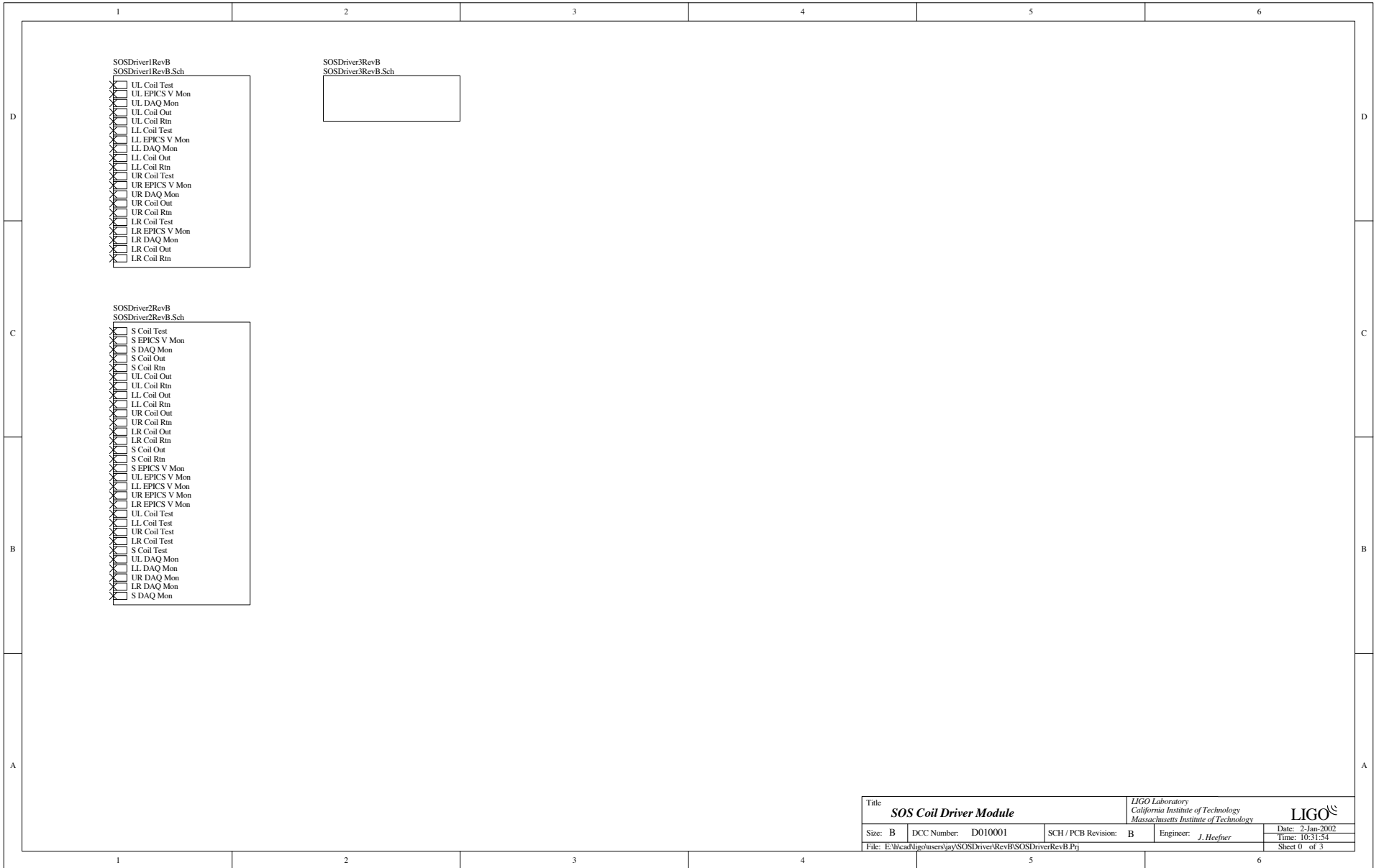


Title		13077-01-000		LIGQS	
SOS Coil Driver Module		Customer Institute of Technology			
Doc. D	Doc. Number: D010001	Rev: PCB Revision: 01	Engineer: A. Bhat	Drawn: S. S. S.	Issue: 01/01/2008
File: \\f:\eng\proj\13077\13077-01-000\13077-01-000.dwg		Project: 13077		Sheet: 1 of 1	



Rev	Description	Date
A	Initial Release	1/01
A1	1. Changed R7, R21, R29, R43, R55 from 525, 1/2 watt to 511, 1/2 watt. 2. Changed R12, R9, R34, R32, R46 to 1K and added Radk1, Radk2, Radk3, Radk4, Radk5 to make EPICS voltage monitors for channel 0.5V/V.	10/01
B	1. All Rev A1 Changes 2. Added Coil Enable switches to inputs. 3. Added Bias Inputs and Fast Input for UL, LL, UR and LR. 4. Reannotated board and schematic.	12/01

Rev	1/01	Author	LIQCS
Doc ID	DOC Number: 4010001	Rev: 0/0	Revision: 0/0
Doc Title	SOS Coil Driver Module		
Doc Date	11/01/01	Doc Author	John P. P.



SOSDriver1RevB
SOSDriver1RevB.Sch

- UL Coil Test
- UL EPICS V Mon
- UL DAQ Mon
- UL Coil Out
- UL Coil Rtn
- LL Coil Test
- LL EPICS V Mon
- LL DAQ Mon
- LL Coil Out
- LL Coil Rtn
- UR Coil Test
- UR EPICS V Mon
- UR DAQ Mon
- UR Coil Out
- UR Coil Rtn
- LR Coil Test
- LR EPICS V Mon
- LR DAQ Mon
- LR Coil Out
- LR Coil Rtn

SOSDriver3RevB
SOSDriver3RevB.Sch



SOSDriver2RevB
SOSDriver2RevB.Sch

- S Coil Test
- S EPICS V Mon
- S DAQ Mon
- S Coil Out
- S Coil Rtn
- UL Coil Out
- UL Coil Rtn
- LL Coil Out
- LL Coil Rtn
- UR Coil Out
- UR Coil Rtn
- LR Coil Out
- LR Coil Rtn
- S Coil Out
- S Coil Rtn
- S EPICS V Mon
- UL EPICS V Mon
- LL EPICS V Mon
- UR EPICS V Mon
- LR EPICS V Mon
- UL Coil Test
- LL Coil Test
- UR Coil Test
- LR Coil Test
- S Coil Test
- UL DAQ Mon
- LL DAQ Mon
- UR DAQ Mon
- LR DAQ Mon
- S DAQ Mon

Title		SOS Coil Driver Module		LIGO Laboratory California Institute of Technology Massachusetts Institute of Technology		LIGO [®]	
Size: B	DCC Number: D010001	SCH / PCB Revision: B	Engineer: J. Heefner	Date: 2-Jun-2002		Time: 10:31:54	
File: E:\head\ligo\users\jay\SOSDriver\RevB\SOSDriverRevB.Prj				Sheet 0 of 3			