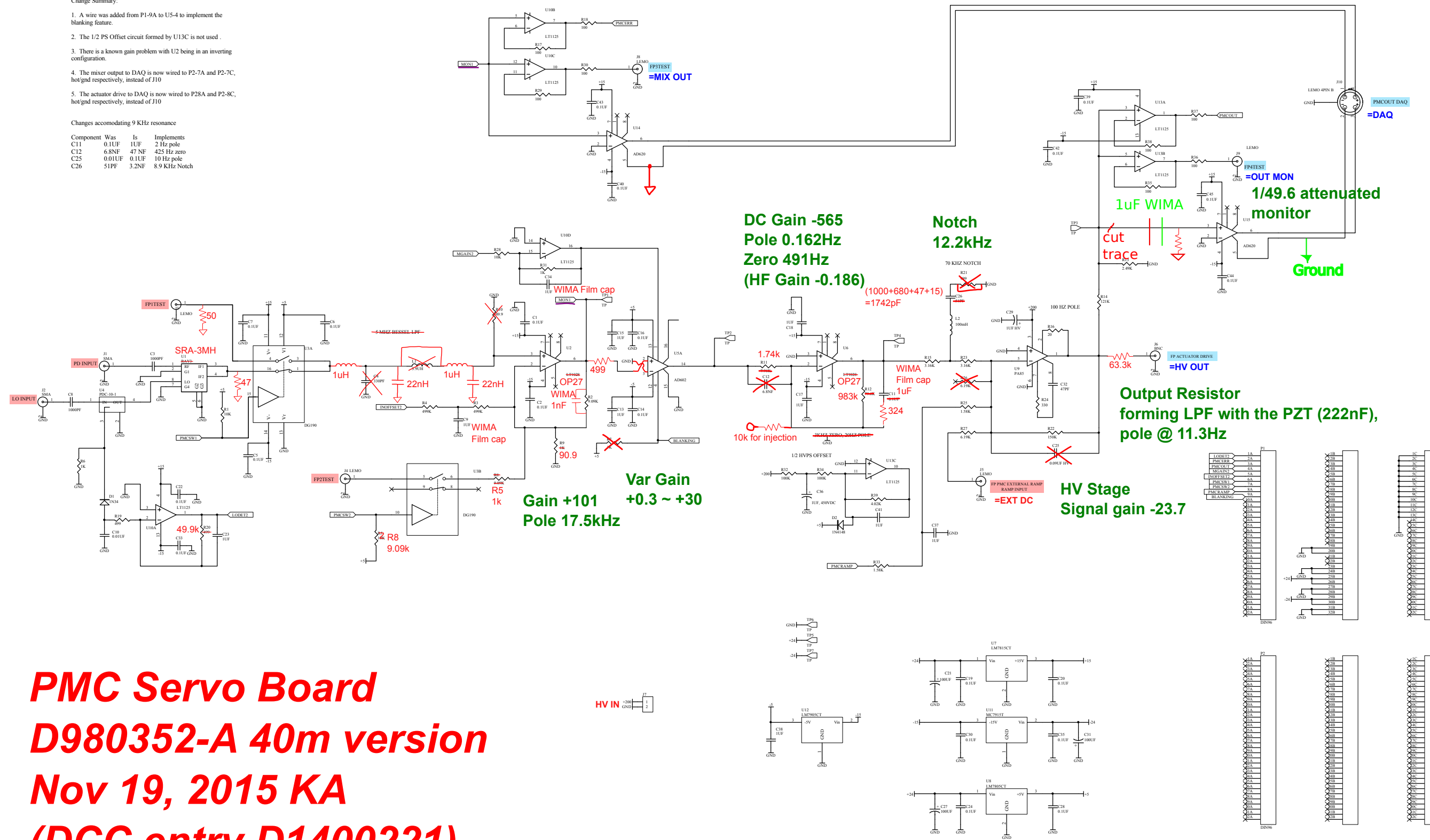


Change Summary:

1. A wire was added from P1-9A to U5-4 to implement the blanking feature.
2. The 1/2 PS Offset circuit formed by U13C is not used.
3. There is a known gain problem with U2 being in an inverting configuration.
4. The mixer output to DAQ is now wired to P2-7A and P2-7C, hot/gnd respectively, instead of J10
5. The actuator drive to DAQ is now wired to P28A and P2-8C, hot/gnd respectively, instead of J10

Changes accomodating 9 KHz resonance

Component	Was	Is	Implements
C11	0.1uF	1uF	2 Hz pole
C12	6.8nF	47 nF	425 Hz zero
C25	0.01uF	0.1uF	10 Hz pole
C26	51pF	3.2nF	8.9 KHz Notch



PMC Servo Board
D980352-A 40m version
Nov 19, 2015 KA
(DCC entry D1400221)