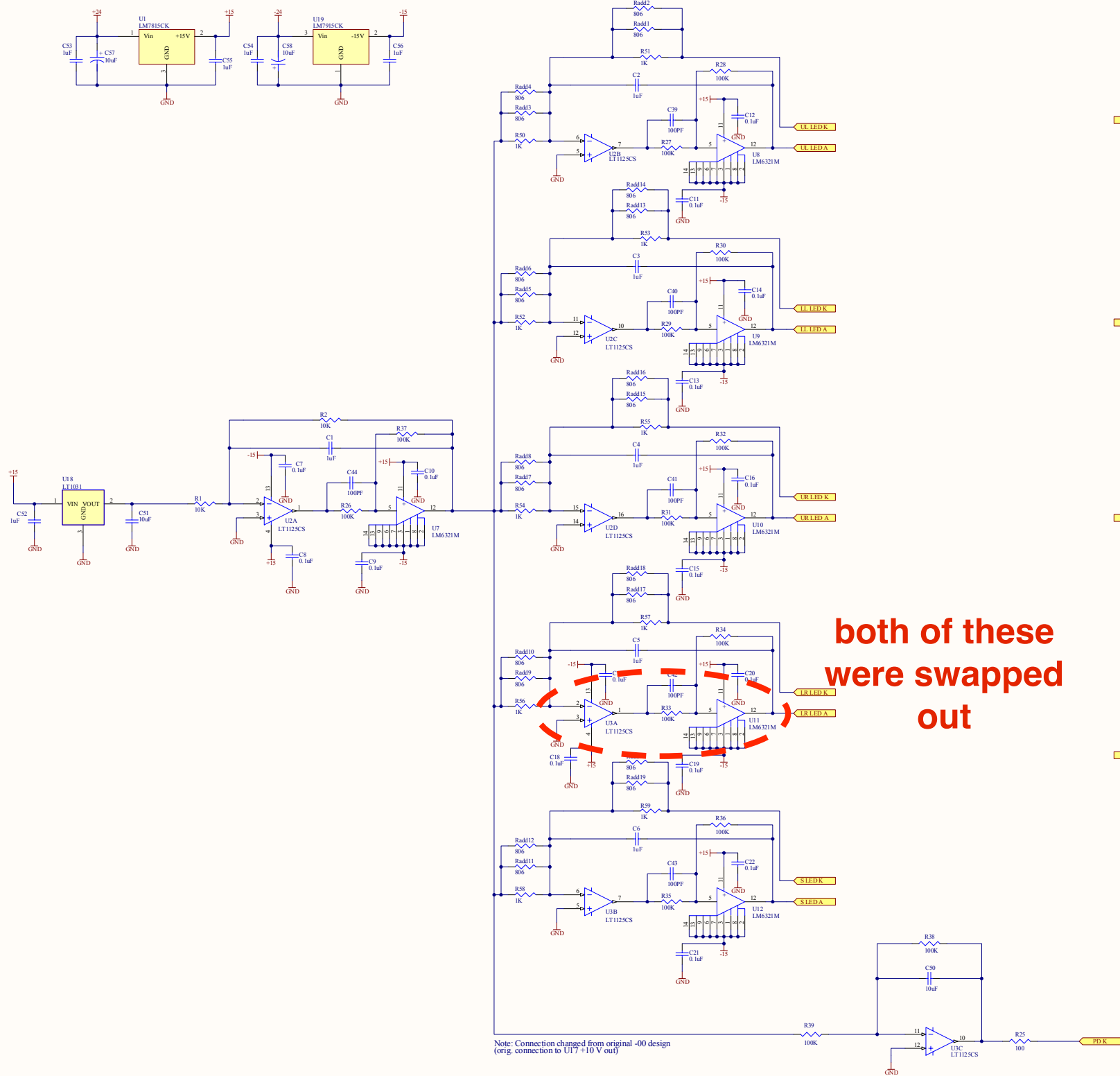
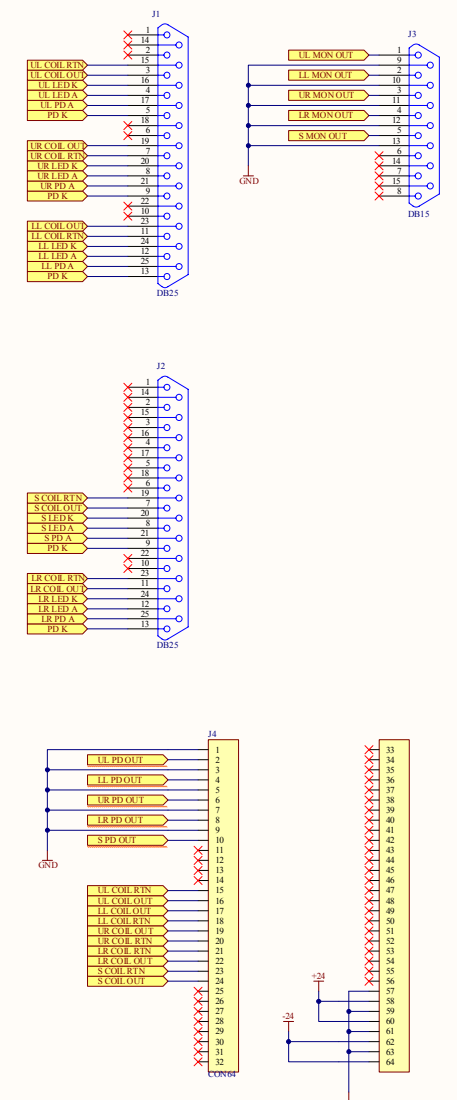
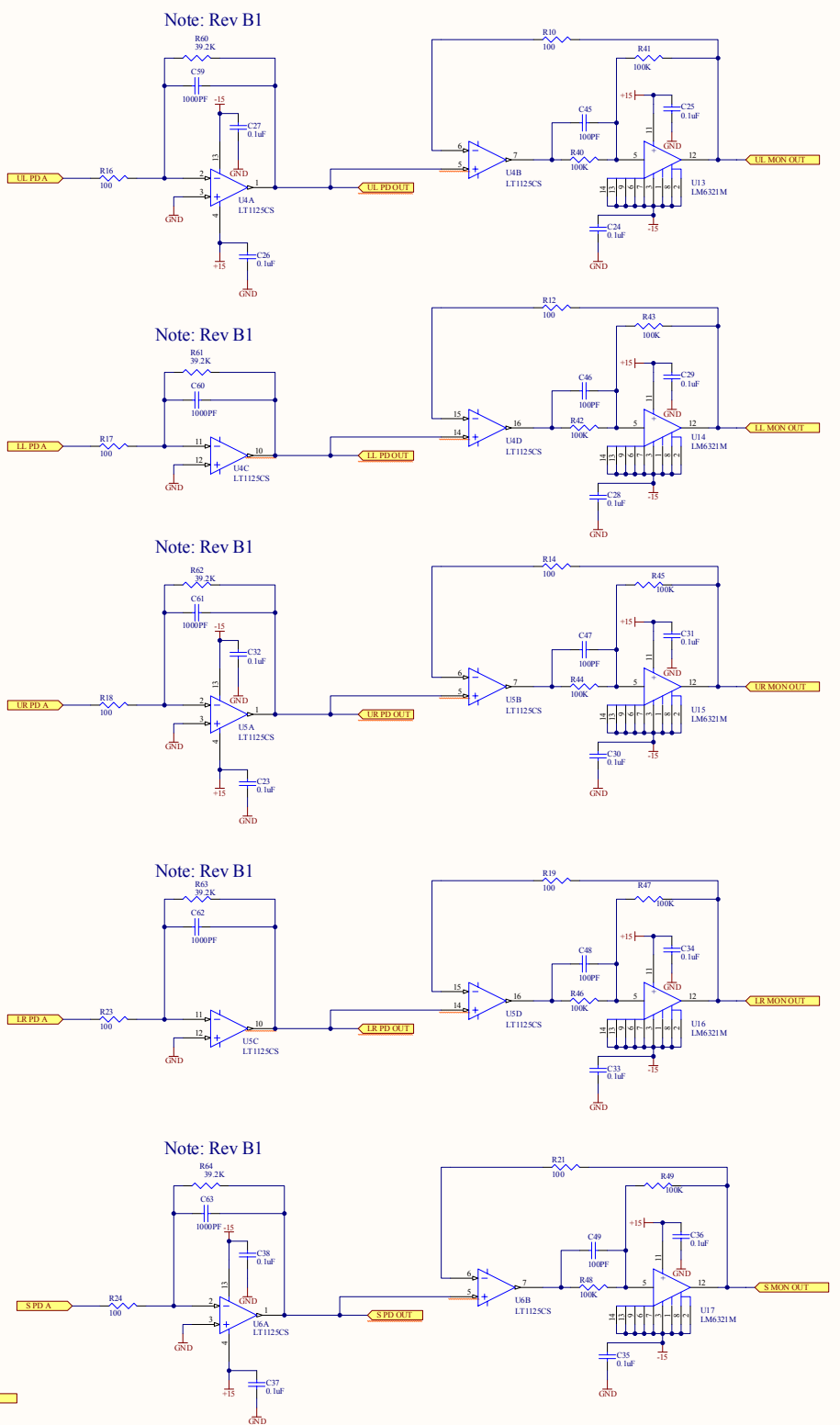


LED drive current = 25mA



both of these were swapped out



| Rev | Description | Date |
|-----|--|-------|
| A | Initial Release | 12/96 |
| B | 1. Rad41 through Rad40 added to increase LED drive to 25mA 2. R60, R61, R62, R63, R64 changed to 39.2K to increase IV gain for new OS&Ms. | 8/01 |
| B1 | R60, R61, R62, R63, R64 may be changed to 29.4K for operation on CIT 40 M. | 2/04 |
| B2 | Added note about need for satellite amplifier termination board (D990021-00) | 1/05 |

Title: **SATELLITE AMPLIFIER**
 Site: D Number: D961289 Revision: B2
 File: F:\Reel1\img\copy\table\Nov04\TAB-000300-00-01.MXD Date: 03/16/05 Page: 1 of 1
 LIGO