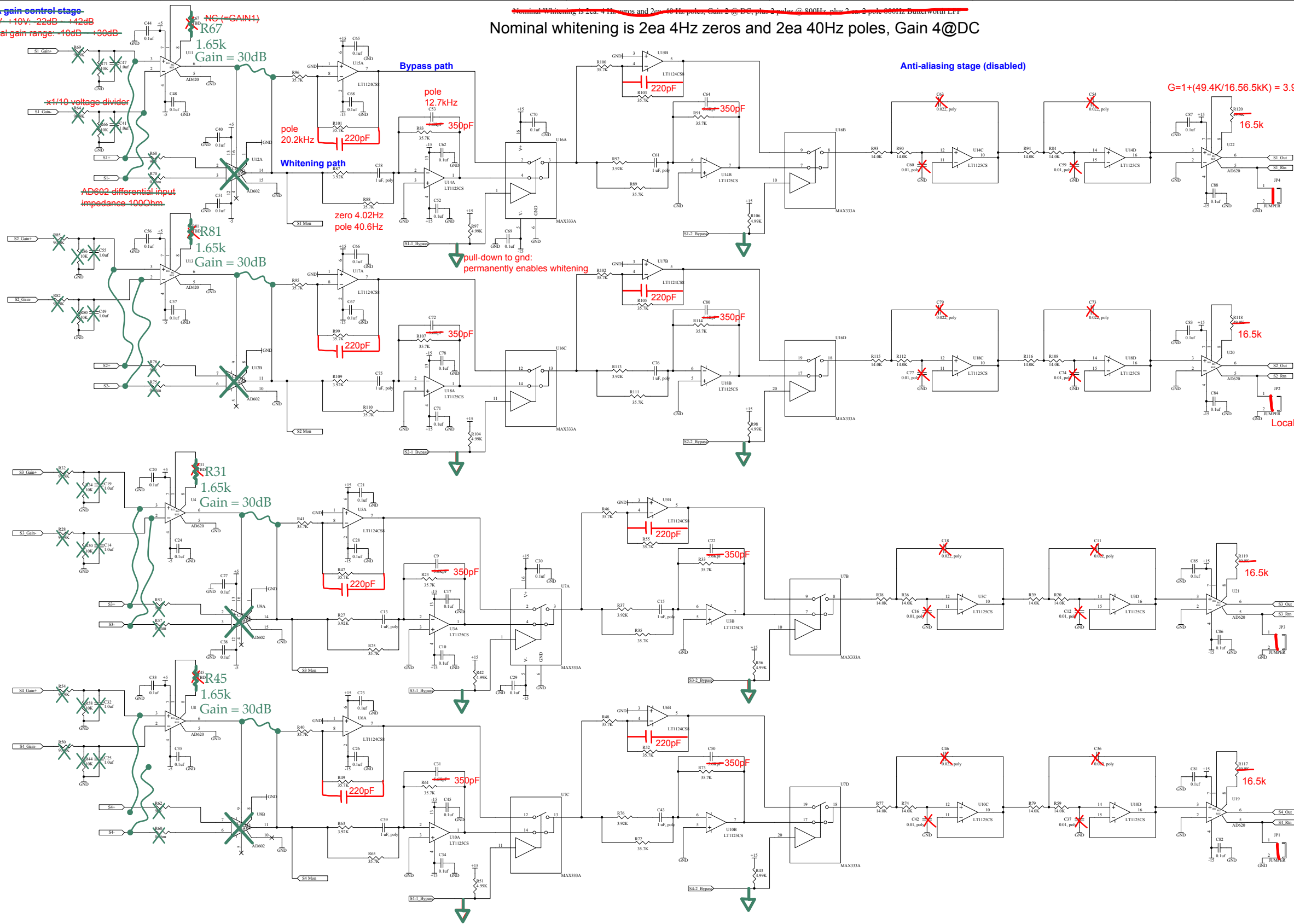


VGA gain control stage  
 10V -10V: 22dB -142dB  
 actual gain range: -10dB +30dB

Nominal whitening is 2ea 4Hz zeros and 2ea 40Hz poles, Gain 4@DC



$$G=1+(49.4k/16.56kK) = 3.99$$

Local ground reference